

## Data sheet

Commercial Art.No.: 46.452.1034.1

Cable assembly RST16i5KS-S 15 10SW

RST16i5 connection cable, male - free end, 5 pole, assembled with screw connection, application 250/400V with PE, 16A, cable type H07RN-F, length 1.0m, cross section 1.5mm<sup>2</sup>, coding color black



Commercial Art.No.	46.452.1034.1
EAN	4049088284830
Order Unit	1

Certificates / Approvals



## Technical data

### General

Rated current	16 A
Rated voltage	250 V / 400 V
Rated impulse voltage	4 kV
Pollution degree	3
Lockable	self-locking (unlocking by hand)
Color of coding/ contact carrier	black
Marking of poles	1, 2, 3, N, PE
Color of housing inclusive strain relief	black

### Model

type of construction	Cable screw gland
Connection type	screw connection
Nominal cross section conductor	1.5 mm <sup>2</sup>
Degree of protection (IP)	IP66/68 (3m;2h) /IP69
Wire strip length	9 mm
sheath strip length	35 mm
Preparation of conductor ends	ultrasonically compressed wire ends
Cable type	H07RN-F
Cable color	black
Cable diameter min.	12.1 mm
Cable diameter max.	12.3 mm
Version of cable	male - free end
Type of cord set	connection cable

Version cable end 1	free end
Version cable end 2	male
Shielded	No

**Material**

Surface finish	Silver-plated
halogen free	No
Insulation components continuous temperature	100 °C
Fire load	1.267 kWh

**Dimensions**

Total length	1 m
--------------	-----

**Classification**

ECLASS 11	
ECLASS 8.1	27440604
ETIM 7.0	EC002587
ETIM 6.0	EC002587
ETIM 5.0	EC002587
ETIM 4.0	EC002587

**Note**

Note	The total length may vary up to + / - 3 %.
------	--

**Product compliance**

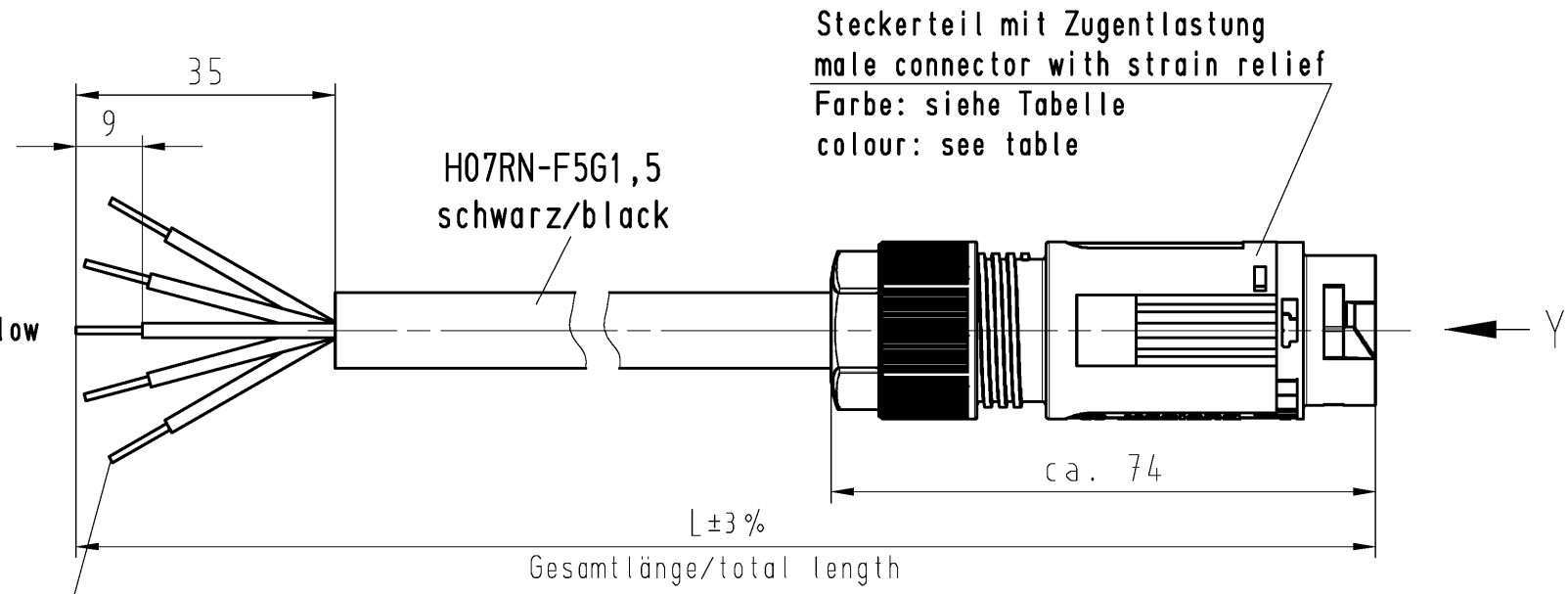
ROHS conformity status	Compliant/Exempted
ROHS exceptions	III-6(c)
REACH-SVHC conformity status	Duty-To-Declare
REACH-SVHC substances	Lead
REACH-SVHC CAS numbers	7439-92-1

These dimensions will be especially checked at delivery  
Only inspection dimensions  
With /E marked dimensions are only valid for internal use

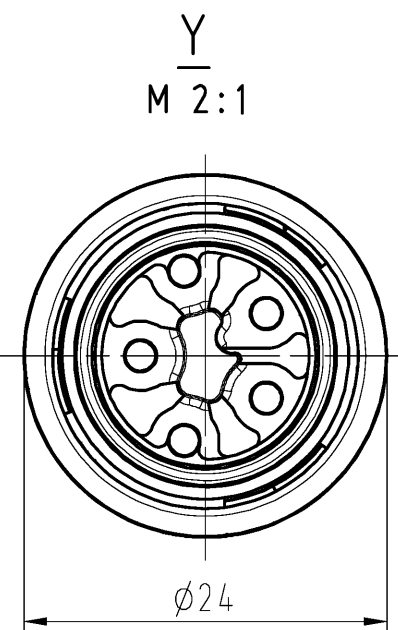
Diese Maße werden bei Abnahme besonders geprüft  
Ausschließlich Prüfmaße  
Mit /E gekennzeichnete Maße sind nur für interne Zwecke gültig

- 1 = braun/brown
- 2 = schwarz/black
- ⊕ = grün-gelb/green-yellow
- N = blau/blue
- 3 = grau/grey

5x ultraschallverdichtet  
5x ultrasonically welded



Steckerteil mit Zugentlastung  
male connector with strain relief  
Farbe: siehe Tabelle  
colour: see table



Farbe/color	.F
schwarz/black	.1
lichtgrau/light grey	.0

Teile-Nr. part-no.	L	Beispiel (Farbe: schwarz, lichtgrau) example (colour: black, grey)	Typ type
46.452.XX34.F	XX in dm-Schritten	46.452.1034.1 = 10dm/L= 1000mm	RST1615KS-S 15 10SW
46.452.XX34.F		46.452.1034.0	RST1615KS-S 15 10GL

Weitere Daten siehe KATALOG oder eKatalog.  
Additional data see CATALOG or eCatalog.

www.wieland-electric.com  
eshop.wieland-electric.com

Tolerierung Size ISO 14405 (E)/Tolerance system Size ISO 14405 (E).  
(This ISO-standard describes the envelope principle. According to the envelope principle the deviations of form and parallelism are limited by the size tolerances).

ja/yes  Stoffverbots- und Deklarationsliste nach WN 5020.010 ist einzuhalten.  
Conformity with Wieland document WN 5020.010 e (list of prohibited / declarable hazardous substances) to be declared!

Freitoleranz nach General tolerance CAD - Zeichnung, keine manuellen Änderungen CAD - drawing, no manual modifications allowed 1. Verwendung: First Use: Blatt: 1 von 1 Sheet: of 1

Index	Datum / Blatt Date / Sheet	Werkstoff/Material	2014	Tag/Date	Name	T	Zeichnung Nr./Drawing No.	Index
			gezeichnet drawn	08.10.	Dütsch T.			
Änderung/Revision	Datum / Blatt Date / Sheet	Maßstab/Scale	geprüft checked	-	-	46.452.1034.0 01K	Maße in mm/Dimensions are in mm	
			1:1					
		Vol.	mm <sup>3</sup>	Ofl./Surf.	mm <sup>2</sup>	Ersatz für/Replacement for: -		
						Type	Benennung/Title	
		www.wieland-electric.com				PRE-ASSEMBLED CABLE KONFEKT_LEITUNG		
						Schraubanschluss ohne Drahtschutz screw connection without wire protection		

Kodierung/coding C1  
250V/16A

Weitergabe sowie Vervielfältigung dieses Dokuments, Verwertung und Mitteilung seines Inhalts sind verboten, soweit nicht ausdrücklich gestattet.  
The reproduction, distribution and utilization of this document as well as the communication of its contents to others without express authorization is prohibited.