

Data sheet

Commercial Art.No.: 73.710.4058.0

Male insert HD STC 40 25

revos HD 40 pole + ground, male insert 250V/10A, crimp connection



Commercial Art.No.	73.710.4058.0
EAN	4015573230309
Order Unit	10

Certificates / Approvals



Technical data

General

Model	Pin insert
Inflammability class of insulation material acc. with UL94	V0
Color	Grey
Mating cycles	50
Pollution degree	3
Modular version	No
Operating temperature range min.	-40 °C
Operating temperature range max.	120 °C

Connection Data

Connection type	Crimp
Number of poles	40
Plus switching contacts	0
Number of pole for rated current 2	0
Number of pole for rated current 3	0
Total number of poles (without ground contact)	40
With wire protection	No
Protective contact	yes

Technical Data UL/CSA

Rated voltage according to UL/CSA	600 V
Rated current according CSA	10 A
Min. conductor cross section flexible wire	0.2 mm ²
Max. conductor cross section flexible wire	1.5 mm ²
Conductor cross section flexible AWG wire	24-16 AWG

Model

With housing	No
--------------	----

Contacts

Contact material	See contacts
Surface	See contacts
Contact resistance	≤ 4 mOhm
Wire strip length	4 mm

Screws head design/recomm. Torque

Mounting screws	H1/0.5-0.7 Nm
Ground conductor screws	M3.5/0.8-1.0 Nm Slot

Technical Data DIN EN 61984

Nominal voltage	250 V
Rated voltage face/ground	250 V
Nominal current	10 A
Rated impulse voltage	4 kV

Classification

ECLASS 11	
ECLASS 8.1	27440205
ETIM 7.0	EC000438
ETIM 6.0	EC000438
ETIM 5.0	EC000438
ETIM 4.0	EC000438
ETIM 3.0	EC000438

Accessories

Commercial Art.No.:	Article-type description:	Description:
05.544.0929.0	Male contact 0,2-0,56 QMM	Male contact, stamped Ø 1,6 mm, 0,2-0,56 mm ² , AWG 24-20, Sn
05.544.1000.0	Male contact 0,5-1,5 QMM	Male contact, stamped Ø 1,6 mm, reel contacts, 0,75-1,5 mm ² , AWG 18-16, Sn
05.544.1029.0	Male contact 0,5-1,5 QMM	Male contact, stamped Ø 1,6 mm, 0,75-1,5 mm ² , AWG 18-16, Sn
05.544.1429.0	Male contact 0,5-1,5 QMM AU	Male contact, stamped Ø 1,6 mm, 0,5-1,5 mm ² , AWG 20-16, Au
05.544.1400.0	Male contact 0,5-1,5 QMM AU	Male contact, stamped Ø 1,6 mm, reel contacts, 0,5-1,5 mm ² , AWG 20-16, Au

Fits with

Commercial Art.No.:	Article-type description:	Description:
73.100.4053.0	Multipole adapter HD BAS WL 40 2,5 25	Multipole adapter revos HD 250V/10A 40 pole + ground, female insert, ground left
73.105.4053.0	Multipole adapter HD BAS WR 40 2,5 25	Multipole adapter revos HD 250V/10A 40 pole + ground, female insert, ground right
76.350.4035.0	Hood BAS GOT GG 40HM25 50 A0	Hood revos basic made of aluminum, for single locking lever with cable gland M25 on the right side (IP54), low version, 40-poles
76.350.4035.1	Hood BAS GOT GG 40HM25 50 A1	Hood revos basic made of aluminum, for single locking lever with threaded hole M25 on the right side, low version, 40-poles

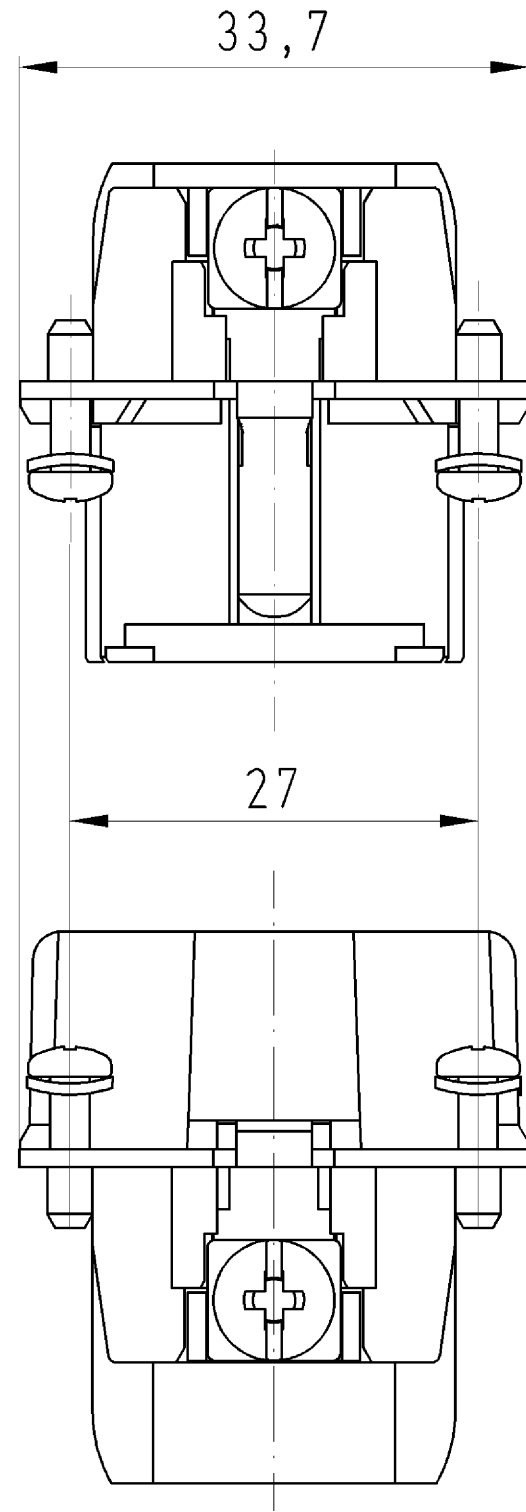
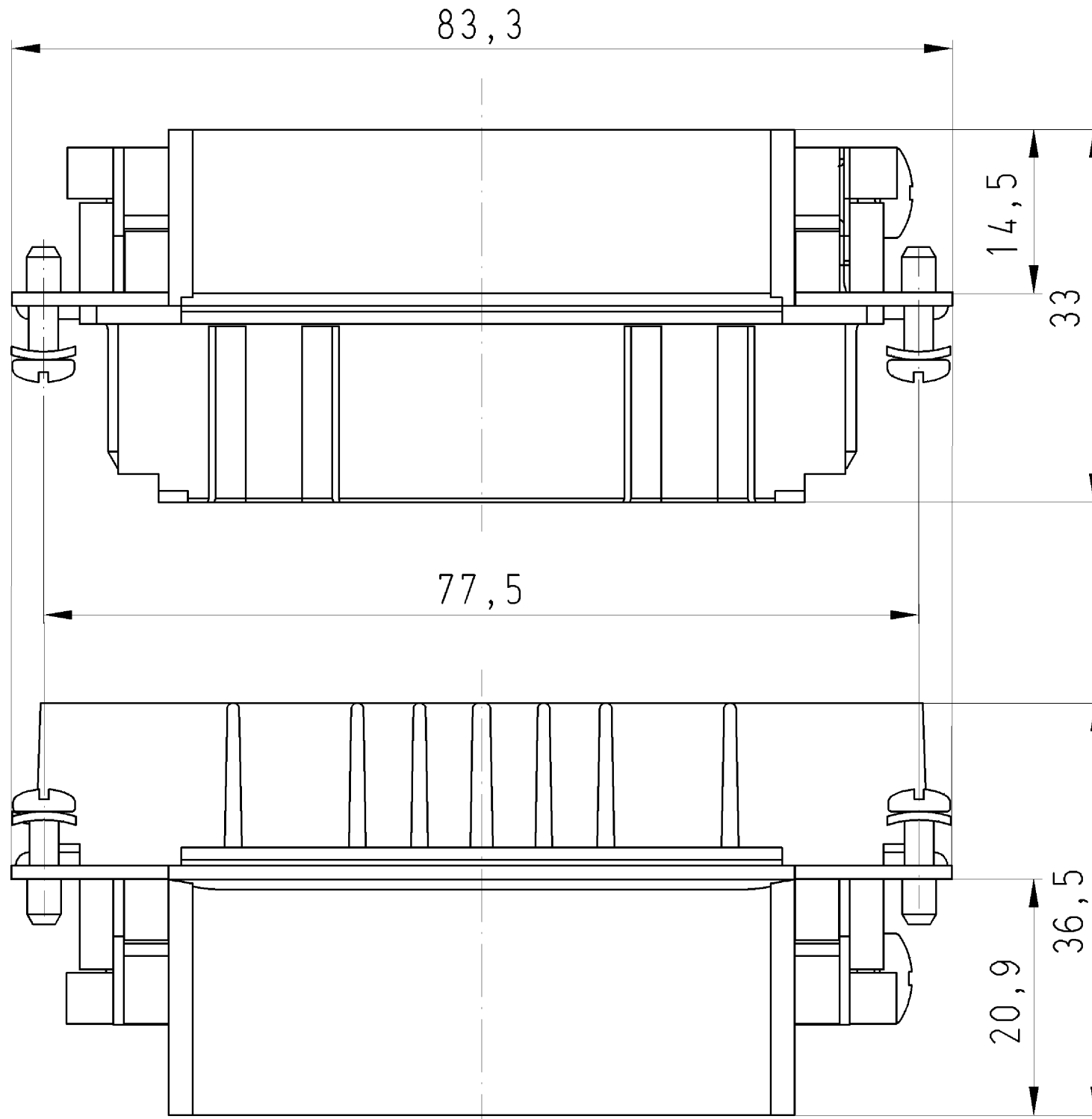
76.350.4035.2	Hood BAS GOT GG 40HM25 50 A2	Hood revos basic made of aluminum, for single locking lever with nozzleM25 on the right side, low version, 40-poles
76.350.4035.3	Hood BAS GOT GG 16H M25 A3	Hood revos basic made of aluminum, for single locking lever with trumpet gland M25 on the right side (IP54), low version, 16-poles
76.351.1635.1	Hood BAS GOT GH 16H M20 A1	Hood revos basic made of aluminum, for single locking lever with threaded hole M20 on the front, low version, 16-poles
76.351.1635.3	Hood BAS GOT GH 10H M20 A3	Hood revos basic made of aluminum, for single locking lever with trumpet gland M20 on the front (IP54), low version, 10-poles
76.352.4035.0	Hood BAS GOT GI 40HM25 50 A0	Hood revos basic made of aluminum, for single locking lever with cable gland M25 on the top (IP54), low version, 40-poles
76.352.4035.1	Hood BAS GOT GI 16HM25 A1	Hood revos basic made of aluminum, for single locking lever with threaded hole M25 on the top, low version, 16-poles
76.352.4035.3	Hood BAS GOT GI 16H M25 A3	Hood revos basic made of aluminum, for single locking lever with trumpet gland M25 on the top (IP54), low version, 16-poles
76.353.4035.0	Hood BAS GOT GG 40HM32 50 A0	Hood revos basic made of aluminum, for single locking lever with cable gland M32 on the right side (IP54), low version, 40-poles
76.353.4035.1	Hood BAS GOT GG 16HM32 A1	Hood revos basic made of aluminum, for single locking lever with threaded hole M32 on the right side, low version, 16-poles
76.353.4035.2	Hood BAS GOT GG 40HM32 50 A2	Hood revos basic made of aluminum, for single locking lever with nozzleM32 on the right side, low version, 40-poles
76.353.4035.3	Hood BAS GOT GG 16H M32 A3	Hood revos basic made of aluminum, for single locking lever with trumpet gland M32 on the right side (IP54), low version, 16-poles
76.354.4035.0	Hood BAS GOT GI 40HM32 50 A0	Hood revos basic made of aluminum, for single locking lever with cable gland M32 on the top (IP54), low version, 40-poles
76.354.4035.1	Hood BAS GOT GI 40HM32 50 A1	Hood revos basic made of aluminum, for single locking lever with threaded hole M32 on the top, low version, 40-poles
76.354.4035.3	Hood BAS GOT GI 16H M32 A3	Hood revos basic made of aluminum, for single locking lever with trumpet gland M32 on the top (IP54), low version, 16-poles
76.360.4035.0	Hood BAS GOT GG 16H M40 A0	Hood revos basic made of aluminum, for single locking lever with cable gland M40 on the right side (IP54), low version, 16-poles
76.360.4035.1	Hood BAS GOT GG 40HM40 50 A1	Hood revos basic made of aluminum, for single locking lever with threaded hole M40 on the right side, low version, 40-poles
76.362.4035.1	Hood BAS GOT GI 40HM40 50 A1	Hood revos basic made of aluminum, for single locking lever with threaded hole M40 on the top, low version, 40-poles
76.374.4035.0	Hood BAS GOT GL 40HM32 50 A0	Connectors for free cable connections revos basic made of aluminum, with single locking lever and cable gland M32 on the top - free cable connection (IP54), 40-poles
76.330.4035.0	Bottom BAS GUT GL 40HM25 50 A0	Bottom-base revos basic made of aluminum, with single locking lever and cable gland M25 on the right and left side (IP54), low version, 40-polig
76.330.4035.1	Bottom BAS GUT GL 40HM25 50 A1	Bottom-base revos basic made of aluminum, with single locking lever and threaded hole M25 on the right and left side, low version, 40-polig
76.331.4035.0	Bottom BAS GUT GM 40HM25 50 A0	Bottom-base revos basic made of aluminum, with single locking lever and cable gland M25 on the left side (IP54), low version, 40-polig
76.331.4035.1	Bottom BAS GUT GM 40HM25 50 A1	Bottom-base revos basic made of aluminum, with single locking lever and threaded hole M25 on the left side, low version, 40-polig
76.333.4035.0	Bottom BAS GUT GO 40HM25 50 A0	Bottom-base revos basic made of aluminum, with single locking lever and cable gland M25 on the bottom (IP54), low version, 40-polig
76.333.4035.1	Bottom BAS GUT GO 40HM25 50 A1	Bottom-base revos basic made of aluminum, with single locking lever and threaded hole M25 on the bottom, low version, 40-polig
76.334.4035.1	Bottom BAS GUT GL 40HM32 50 A1	Bottom-base revos basic made of aluminum, with single locking lever and threaded hole M32 on the right and left side, low version, 40-polig
76.335.4035.0	Bottom BAS GUT GM 40HM32 50 A0	Bottom-base revos basic made of aluminum, with single locking lever and cable gland M32 on the left side (IP54), low version, 40-polig
76.335.4035.1	Bottom BAS GUT GM 40HM32 50 A1	Bottom-base revos basic made of aluminum, with single locking lever and threaded hole M32 on the left side, low version, 40-polig

76.337.4035.1	Bottom BAS GUT GO 40HM32 50 A1	Bottom-base revos basic made of aluminum, with single locking lever and threaded hole M32 on the bottom, low version, 40-polig
76.340.4035.0	Bottom BAS GUT GR 40HM25 50 A0	Bottom-base revos basic made of aluminum, with single locking lever and cable gland M25 on the right and the left side, with protective cover (IP54), low version, 40-polig
76.340.4035.1	Bottom BAS GUT GR 40HM25 50 A1	Bottom-base revos basic made of aluminum, with single locking lever and threaded hole M25 on the right and the left side, with protective cover, low version, 40-polig
76.341.4035.0	Bottom BAS GUT GS 40HM25 50 A0	Bottom-base revos basic made of aluminum, with single locking lever and cable gland M25 on the left side, with protective cover (IP54), low version, 40-polig
76.341.4035.1	Bottom BAS GUT GS 40HM25 50 A1	Bottom-base revos basic made of aluminum, with single locking lever and threaded hole M25 on the left side, with protective cover, low version, 40-polig
76.344.4035.0	Bottom BAS GUT GR 40HM32 50 A0	Bottom-base revos basic made of aluminum, with single locking lever and cable gland M32 on the right and the left side, with protective cover (IP54), low version, 40-polig
76.344.4035.1	Bottom BAS GUT GR 40HM32 50 A1	Bottom-base revos basic made of aluminum, with single locking lever and threaded hole M32 on the right and the left side, with protective cover, low version, 40-polig
76.345.4035.0	Bottom BAS GUT GS 16HM32 A0	Bottom-base revos basic made of aluminum, with single locking lever and cable gland M32 on the left side, with protective cover (IP54), low version, 16-polig
76.345.4035.1	Bottom BAS GUT GS 40HM32 50 A1	Bottom-base revos basic made of aluminum, with single locking lever and threaded hole M32 on the left side, with protective cover, low version, 40-polig
76.346.4035.0	Bottom BAS GUT GT 40HM32 50 A0	Bottom-base revos basic made of aluminum, with single locking lever and cable gland M32 on the right side, with protective cover (IP54), low version, 40-polig
76.346.4035.1	Bottom BAS GUT GT 40HM32 50 A1	Bottom-base revos basic made of aluminum, with single locking lever and threaded hole M32 on the right side, with protective cover, low version, 40-polig
76.347.4035.0	Bottom BAS GUT GU 40HM32 50 A0	Bottom-base revos basic made of aluminum, with single locking lever and cable gland M32 on the bottom, with protective cover (IP54), low version, 40-polig
76.347.4035.1	Bottom BAS GUT GU 40HM32 50 A1	Bottom-base revos basic made of aluminum, with single locking lever and threaded hole M32 on the bottom, with protective cover, low version, 40-polig
73.350.4035.0	Hood BAS GOT GA 16HM25 50 A0	Hood revos basic made of aluminum, for double locking lever or screw cap with cable gland M25 on the right side (IP54), low version, 16-poles
73.350.4035.1	Hood BAS GOT GA 16HM25 50 A1	Hood revos basic made of aluminum, for double locking lever or screw cap with threaded hole M25 on the right side, low version, 16-poles
73.350.4035.2	Hood BAS GOT GA 16HM25 50 A2	Hood revos basic made of aluminum, for double locking lever or screw cap with nozzle M25 on the right side, low version, 16-poles
73.350.4035.3	Hood BAS GOT GA 16H M25 A3	Hood revos basic made of aluminum, for double locking lever or screw cap with trumpet gland M25 on the right side (IP54), low version, 16-poles
73.351.1635.1	Hood BAS GOT GB 16H M25 A1	Hood revos basic made of aluminum, for double locking lever and threaded hole M25 on the front, low version, 16-poles
73.351.1635.3	Hood BAS GOT GB 16H M25 A3	Hood revos basic made of aluminum, for double locking lever and trumpet gland M25 on the front (IP54), low version, 16-poles
73.352.4035.0	Hood BAS GOT GC 16HM25 50 A0	Hood revos basic made of aluminum, for double locking lever or screw cap with cable gland M25 on the top (IP54), low version, 16-poles

73.352.4035.1	Hood BAS GOT GC 16HM25 50 A1	Hood revos basic made of aluminum, for double locking lever or. screw cap with threaded hole M25 on the top, low version, 16-poles
73.352.4035.2	Hood BAS GOT GC 16HM25 50 A2	Hood revos basic made of aluminum, for double locking lever or. screw cap with nozzle M25 on the top, low version, 16-poles
73.352.4035.3	Hood BAS GOT GC 16H M25 A3	Hood revos basic made of aluminum, for double locking lever or. screw cap with trumpet gland M25 on the top (IP54), low version, 16-poles
73.353.4035.0	Hood BAS GOT GA 40HM32 50 A0	Hood revos basic made of aluminum, for double locking lever or. screw cap with cable gland M32 on the right side (IP54), high version, 40- poles
73.353.4035.1	Hood BAS GOT GA 40HM32 50 A1	Hood revos basic made of aluminum, for double locking lever or. screw cap with threaded hole M32 on the right side, low version, 40-poles
73.353.4035.2	Hood BAS GOT GA 40HM32 50 A2	Hood revos basic made of aluminum, for double locking lever or. screw cap with nozzle M32 on the right side, low version, 40-poles
73.353.4035.3	Hood BAS GOT GA 16HM32 A3	Hood revos basic made of aluminum, for double locking lever or. screw cap with trumpet gland M32 on the right side (IP54), low version, 16-poles
73.354.4035.0	Hood BAS GOT GC 16HM32 50 A0	Hood revos basic made of aluminum, for double locking lever or. screw cap with cable gland M32 on the top (IP54), low version, 16-poles
73.354.4035.1	Hood BAS GOT GC 16HM32 50 A1	Hood revos basic made of aluminum, for double locking lever or. screw cap with threaded hole M32 on the top, low version, 16-poles
73.354.4035.2	Hood BAS GOT GC 16HM32 50 A2	Hood revos basic made of aluminum, for double locking lever or. screw cap with nozzle M32 on the top, low version, 16-poles
73.354.4035.3	Hood BAS GOT GC 16HM32 A2	Hood revos basic made of aluminum, for double locking lever or. screw cap with nozzle M32 on the top, low version, 16-poles
73.355.4035.1	Hood BAS GOT GD 16HM25 50 A1	Hood revos basic made of aluminum, with double locking lever and threaded hole M25 on the right side, low version, 16-poles
73.357.4035.0	Hood BAS GOT GF 16HM25 50 A0	Hood revos basic made of aluminum, with double locking lever and cable gland M25 on the top (IP54), low version, 16-poles
73.357.4035.1	Hood BAS GOT GF 16HM25 50 A1	Hood revos basic made of aluminum, with double locking lever and threaded hole M25 on the top, low version, 16-poles
73.357.4035.2	Hood BAS GOT GF 16HM25 50 A2	Hood revos basic made of aluminum, with double locking lever and nozzleM25 on the top, low version, 16-poles
73.358.4035.0	Hood BAS GOT GD 16HM32 50 A0	Hood revos basic made of aluminum, with double locking lever and cable gland M32 on the right side (IP54), low version, 16-poles
73.358.4035.1	Hood BAS GOT GD 16HM32 50 A1	Hood revos basic made of aluminum, with double locking lever and threaded hole M32 on the right side, low version, 16-poles
73.359.4035.0	Hood BAS GOT GF 16HM32 50 A0	Hood revos basic made of aluminum, with double locking lever and cable gland M32 on the top (IP54), low version, 16-poles
73.359.4035.1	Hood BAS GOT GF 16HM32 50 A1	Hood revos basic made of aluminum, with double locking lever and threaded hole M32 on the top, high version, 16-poles
73.359.4035.2	Hood BAS GOT GF 16HM32 50 A2	Hood revos basic made of aluminum, with double locking lever and nozzleM32 on the top, low version, 16-poles
73.359.4035.3	Hood BAS GOT GF 16HM32 A3	Hood revos basic made of aluminum, with double locking lever and trumpet gland M32 on the top (IP54), low version, 16-poles
73.360.4035.0	Hood BAS GOT GA 16HM40 A0	Hood revos basic made of aluminum, for double locking lever or. screw cap with cable gland M40 on the right side (IP54), low version, 16-poles
73.360.4035.1	Hood BAS GOT GA 16HM40 50 A1	Hood revos basic made of aluminum, for double locking lever or. screw cap with threaded hole M40 on the right side, low version, 16-poles
73.362.4035.1	Hood BAS GOT GC 16HM40 50 A1	Hood revos basic made of aluminum, for double locking lever or. screw cap with threaded hole M40 on the top, low version, 16-poles

73.330.4035.0	Bottom BAS GUT GB 16HM25 50 A0	Bottom-base revos basic made of aluminum, with double locking lever or.screw cap with cable gland M25 on the right and left side (IP54), low version, 16-polig
73.330.4035.1	Bottom BAS GUT GB 16HM25 50 A1	Bottom-base revos basic made of aluminum, with double locking lever or.screw cap with threaded hole M25 on the right and left side, low version, 16-polig
73.331.4035.0	Bottom BAS GUT GC 16HM25 50 A0	Bottom-base revos basic made of aluminum, with double locking lever or.screw cap with cable gland M25 on the left side (IP54), low version, 16-polig
73.331.4035.1	Bottom BAS GUT GC 16M25 50 A1	Bottom-base revos basic made of aluminum, with double locking lever or.screw cap with threaded hole M25 on the left side, low version, 16-polig
73.333.4035.0	Bottom BAS GUT GD 16HM25 50 A0	Bottom-base revos basic made of aluminum, with double locking lever or.screw cap with cable gland M25 on the right side (IP54), low version, 16-polig
73.333.4035.1	Bottom BAS GUT GD 16HM25 50 A1	Bottom-base revos basic made of aluminum, with double locking lever or.screw cap with threaded hole M25 on the right side, low version, 16-polig
73.334.4035.0	Bottom BAS GUT GB 16HM32 50 A0	Bottom-base revos basic made of aluminum, with double locking lever or.screw cap with cable gland M32 on the right and left side (IP54), low version, 16-polig
73.334.4035.1	Bottom BAS GUT GB 16HM32 50 A1	Bottom-base revos basic made of aluminum, with double locking lever or.screw cap with threaded hole M32 on the right and left side, low version, 16-polig
73.335.4035.0	Bottom BAS GUT GC 16HM32 50 A0	Bottom-base revos basic made of aluminum, with double locking lever or.screw cap with cable gland M32 on the left side (IP54), high version, 6-poles
73.335.4035.1	Bottom BAS GUT GC 16HM32 50 A1	Bottom-base revos basic made of aluminum, with double locking lever or.screw cap with threaded hole M32 on the left side, low version, 16-polig
73.337.4035.0	Bottom BAS GUT GD 16HM32 50 A0	Bottom-base revos basic made of aluminum, with double locking lever or.screw cap with cable gland M32 on the right side (IP54), low version, 16-polig
73.337.4035.1	Bottom BAS GUT GD 16HM32 50 A1	Bottom-base revos basic made of aluminum, with double locking lever or.screw cap with threaded hole M32 on the right side, low version, 16-polig
73.338.4035.1	Bottom BAS GUT GB 16H M40 A1	Bottom-base revos basic made of aluminum, with double locking lever or.screw cap with threaded hole M40 on the right and left side, low version, 16-polig
73.339.4035.1	Bottom BAS GUT GC 16H M40 A1	Bottom-base revos basic made of aluminum, with double locking lever or.screw cap with threaded hole M40 on the left side, low version, 16-polig
73.340.4035.0	Bottom BAS GUT GB 16H M40 A1	Bottom-base revos basic made of aluminum, with double locking lever or.screw cap with threaded hole M40 on the right and left side, low version, 16-polig
73.340.4035.1	Bottom BAS GUT GF 16HM25 50 A1	Bottom-base revos basic made of aluminum, for double locking lever with threaded hole M25 on the left and right side, with protective cover, low version, 16-polig
73.341.4035.0	Bottom BAS GUT GC 16H M40 A1	Bottom-base revos basic made of aluminum, with double locking lever or.screw cap with threaded hole M40 on the left side, low version, 16-polig
73.341.4035.1	Bottom BAS GUT GG 16HM25 50 A1	Bottom-base revos basic made of aluminum, with double locking lever and threaded hole M25 on the left side, with protective cover, low version, 16-polig
73.342.4035.1	Bottom BAS GUT GH 16HM25 50 A1	Bottom-base revos basic made of aluminum, with double locking lever and threaded hole M25 on the right side, with protective cover, low version, 16-polig

73.344.4035.0	Bottom BAS GUT GF 16HM32 50 A0	Bottom-base revos basic made of aluminum, for double locking lever with cable gland M32 on the left and right side, with protective cover (IP54), low version, 16-pole
73.344.4035.1	Bottom BAS GUT GF 16HM32 50 A1	Bottom-base revos basic made of aluminum, for double locking lever with threaded hole M32 on the left and right side, with protective cover, high version, 16-pole
73.345.4035.0	Bottom BAS GUT GG 16HM32 50 A0	Bottom-base revos basic made of aluminum, with double locking lever and cable gland M32 on the left side, with protective cover (IP54), low version, 16-pole
73.345.4035.1	Bottom BAS GUT GG 16HM32 50 A1	Bottom-base revos basic made of aluminum, with double locking lever and threaded hole M32 on the left side, with protective cover, low version, 16-pole
73.346.4035.0	Bottom BAS GUT GH 16HM32 50 A0	Bottom-base revos basic made of aluminum, with double locking lever and cable gland M32 on the right side, with protective cover (IP54), low version, 16-pole
73.346.4035.1	Bottom BAS GUT GH 16HM32 50 A1	Bottom-base revos basic made of aluminum, with double locking lever and threaded hole M32 on the right side, with protective cover, low version, 16-pole
73.347.4035.0	Bottom BAS GUT GI 16HM32 50 A0	Bottom-base revos basic made of aluminum, with double locking lever and cable gland M32 on the bottom, with protective cover (IP54), low version, 16-pole
73.347.4035.1	Bottom BAS GUT GI 40HM32 50 A1	Bottom-base revos basic made of aluminum, with double locking lever and threaded hole M32 on the bottom, with protective cover, low version, 40-pole
73.353.4045.1	Hood BAS GOE GA 16HM32 50 A1	Hood-EMV revos basic made of aluminum, for double locking lever or screw cap with threaded hole M32 on the right side, low version, 16-poles
70.320.1638.0	Bottom BAS GUE GA 16 50 A	Bottom-base-EMV revos basic made of aluminum, with double locking lever, open, low version, 16-poles
73.700.4058.0	Female insert HD BUC 40 25	revos HD 40 pole + ground, female insert, 250V/10A, crimp connection



Buchseneinsatz
sockert insert
73.700.4058.0

Steckereinsatz
plug insert
73.710.4058.0

Weitere Daten siehe Katalog
further data see catalog

○ Diese Maße werden bei Abnahme besonders geprüft
 □ Ausschließlich Prüfmaße
 M11/Æ Rekanzeichene Maße sind nur für interne Zwecke gültig

Freitoleranz nach DIN -		CAD - Zeichnung, keine manuellen Änderungen			1. Verwendung: -		Bl.: 1 von 1		
	Maßstab	Werkstoff und Oberfläche:		2005	Tag	Name		Zeichnung Nr.	Index
	2:1			Entworfen	25.02.	Schmitt J.			
				Geprüft	-	-		T	73.700.4058.0 01K
				Normgepr.	-	-			
Buchstabe Datum / Blatt		 wieland Elektrische Verbindungen		Benennung		Ersatz für: -			
Änderung				KONTAKTEINSATZ		Buchseneinsatz / Steckereinsatz sockert insert / plug insert			

Weitergabe sowie Vervielfältigung dieses Dokuments, Verwertung und Mitteilung seines Inhalts sind verboten, soweit nicht ausdrücklich gestattet.
 The reproduction, distribution and utilization of this document as well as the communication of its contents to others without express authorization is prohibited.

737004058001K_4_CAD/MO28_Schnitt_2005-02-25T11:01:03_1.000