

Data sheet

Commercial Art.No.: 76.352.0760.1

Hood MIN GOT GB 7 M20 25 P1

Hood revos MINI made of Plastik, straight with threaded hole M20, low version



Commercial Art.No.	76.352.0760.1
EAN	4015573651135
Order Unit	10

Technical data

General

Housing material	Plastic
Color	white
Surface	Untreated
Degree of protection (IP)	Other
UV resistant	yes
Inflammability class of insulation material acc. with UL94	V0
Operating temperature range min.	-40 °C
Operating temperature range max.	120 °C

Model

Construction	3
Locking mechanism	Single locking lever
Cable entry	Above
Type of cable	Thread
With cable screw gland	No
Thread size M	20
Thread size PG	
Hinged lid	No
EMC-version	No
Length	26.8 mm
Width	33.5 mm
Height	50 mm

Classification

ECLASS 11	
ECLASS 8.1	27440202
ETIM 7.0	EC000437
ETIM 6.0	EC000437
ETIM 5.0	EC000437
ETIM 4.0	EC000437
ETIM 3.0	EC000437

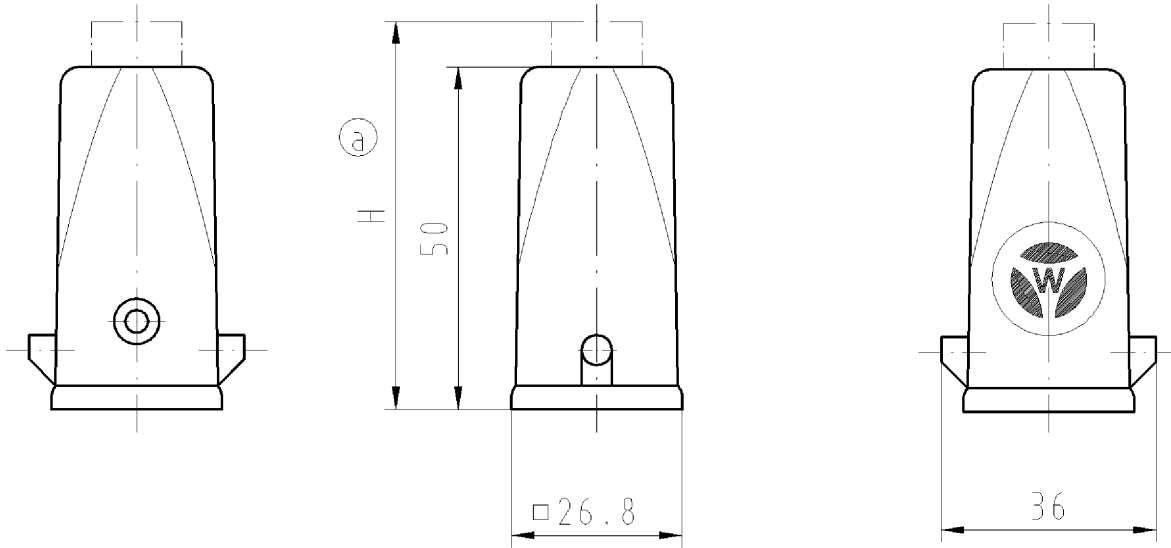
Fits with

Commercial Art.No.:	Article-type description:	Description:

73.300.0353.0	Female insert MIN BUS 3 2,5 40	Female insert revos MINI, 3-poles, rated current: 10A, rated voltage: 250/400 V, with tin-plated contacts
73.310.0353.0	Male insert MIN STS 3 2,5 40	Male insert revos MINI, 3-poles, rated current: 10 A, rated voltage: 250/400 V, with tin-plated contacts
73.300.0453.0	Female insert MIN BUS 4 2,5 25 AG	Female insert revos MiNI, 4-poles, rated current: 10A, rated voltage: 400V, with silver-plated contacts
73.310.0453.0	Male insert MIN STS 4 2,5 25 AG	Male insert revos MiNI, 4-poles, rated current: 10A, rated voltage: 400V, with silver-plated contacts
73.700.0753.0	Female insert MIN BUC 7 25	Female insert revos MiNI, 7-poles, crimp connection, rated current: 10A, rated voltage: 400V, with silver-plated contacts
73.710.0753.0	Male insert MIN STC 7 25	Male insert revos MiNI, 7-poles, crimp connection, rated current: 10A, rated voltage: 400V, with silver-plated contacts
73.700.0853.0	Female insert MIN BUC 8 05	Female insert revos MiNI, 8-poles, crimp connection, rated current: 10A, rated voltage: 50V, with silver-plated contacts
73.710.0853.0	Male insert MIN STC 8 05	revos MINI 8 pole, male insert, 50V/10A, crimp connection
73.700.1253.0	Female insert MIN BUC 12 40 AG	revos MINI Q12, 12-pole + ground, female insert, IEC 690V/10A, UL 600V/10A, crimp connection
73.710.1253.0	Male insert MIN STC 12 40 AG	revos MINI Q12, 12-pole + ground, male insert, IEC 690V/10A, UL 600V/10A, crimp connection
73.700.0553.0	Female insert MIN BUC 5 25 AG	Female insert revos MINI, 5-poles, crimp connection, rated current: 16 A, rated voltage: 400V, with silver-plated contacts
73.710.0553.0	Male insert MIN STC 5 25 AG	Male insert revos MiNI, 5-poles, crimp connection, rated current: 16 A, rated voltage: 400V, with silver-plated contacts

○ Diese Maße werden bei Abnahme besonders geprüft
 □ Ausschließlich Prüfmaße

Mit ZE gekennzeichnete Maße sind nur für interne Zwecke gültig



76.352.0760.0 mit Verschraubung M 20
 with screw connection M20

76.352.0760.1 mit Gewinde M 20
 with thread M 20

Ⓐ

Teile-Nr. part-no.	H	Material material	Farbe colour
76.352.0760.0	57	PA 66 GF30	weiß/white
76.352.0760.1	--	Brandverh.UL94-V0	

Freitoleranz nach -		CAD - Zeichnung, keine manuellen Änderungen			1.Verwendung: -		Bl.: 1 von 1	
	/	Maßstab z	2003	Tag	Name	T	Zeichnung Nr. 76.352.0760.1 01K	Index a
	/		Entworfen	11.07.	Bauer F.			
	/		Geprüft	-	-			
	/	Vol.	mm ²	Offl.	mm ²	Normgepr.	-	Ersatz für: -
a	18.08.2003/	wieland Elektrische Verbindungen		Benennung GEHAEUSE_OBERTEIL 7-polig M20 von oben HOOD STRAIGHT 7-pole M20 TOP SIDE				
Änderung								

Weitergabe sowie Vervielfältigung dieses Dokuments, Verwertung und Mitteilung seines Inhalts sind verboten, soweit nicht ausdrücklich gestattet. The reproduction, distribution and utilization of this document as well as the communication of its contents to others without express authorization is prohibited.

763520760101K_4-CADW027 Duetisch 20.08.2003 10:48:02 1.000