

THIS DRAWING IS UNPUBLISHED.

RELEASED FOR PUBLICATION

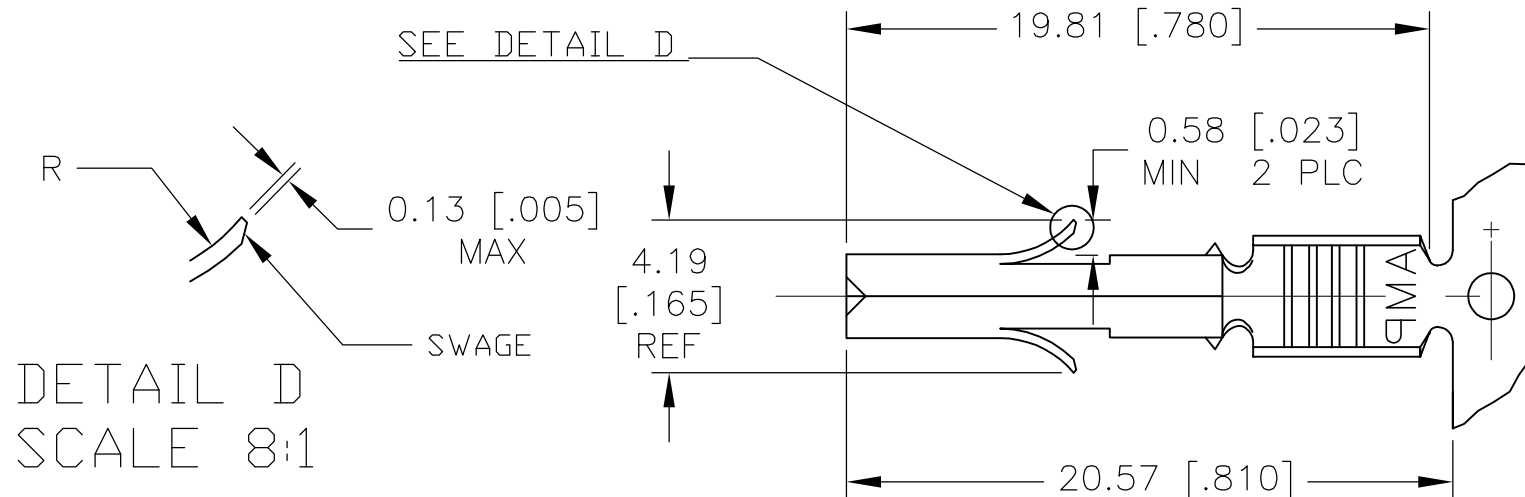
ALL RIGHTS RESERVED.

© COPYRIGHT - By -

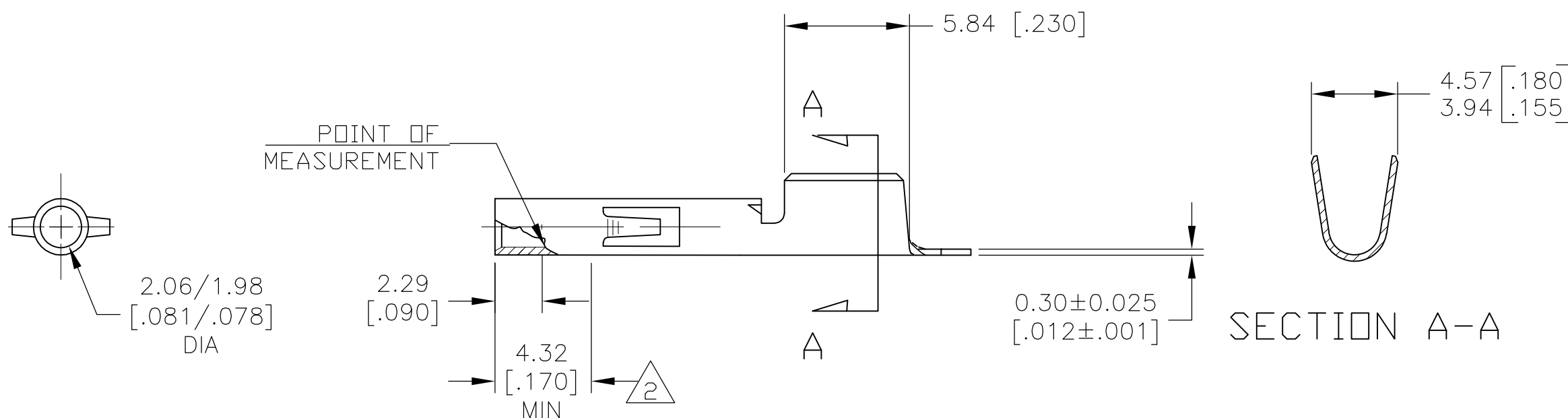
LOC AF DIST 58

REVISIONS

| P | LTR | DESCRIPTION | DATE | DWN | APVD |
|---|-----|-----------------------|---------|-----|------|
| | S3 | REV PER ECO-15-012003 | 18AUG15 | JR | EW |



1. WIRE RANGE : 12-10 AWG
INSULATION RANGE: 5.08 [.200] DIA MAX
(LIMITED BY THE CONNECTOR HOUSING CAVITY).
- 2 0.00076 [.000030] THK GOLD, OVER
0.00127 [.000050] NICKEL UNDERPLATE ON
INSIDE OF RECEPTACLE, REMAINDER
OF CONTACT IS NICKEL PLATED.
- 3 GOLD OVER NICKEL UNDERPLATE ON ENTIRE
STAMPING, 0.00076 [.000030] MIN GOLD
AT POINT OF MEASUREMENT IN CONTACT
AREA, GOLD FLASH MIN IN WIRE BARREL.



| | | | |
|------------------------|---------|----------|-------------|
| 640310-6 | GOLD 2 | PHOS BRZ | 350923-6 |
| --- | GOLD 3 | PHOS BRZ | 350923-4 |
| 640310-3 | PRE-TIN | PHOS BRZ | 350923-3 |
| LOOSE PIECE P/N REF | FINISH | MATERIAL | PART NUMBER |

THIS DRAWING IS A CONTROLLED DOCUMENT.

DWN jr_ruth 11OCT11

CHK TOM MICHIELUTTI 11OCT11

APVD TOM MICHIELUTTI 11OCT11

NAME

PRODUCT SPEC

APPLICATION SPEC

WEIGHT -

CUSTOMER DRAWING

STE TE Connectivity

SOCKET
UNIVERSAL MATE-N-LOK

SIZE A3 CAGE CODE 00779 DRAWING NO C-350923 RESTRICTED TO -

SCALE 4:1 SHEET 1 OF 1 REV S3

| DIMENSIONS: MM [INCHES] | TOLERANCES UNLESS OTHERWISE SPECIFIED: |
|------------------------------|---|
| | 0 PLC ± - |
| | 1 PLC ± - |
| | 2 PLC ± 0.25 [.010] |
| | 3 PLC ± - |
| | 4 PLC ± - |
| | ANGLES ± - |
| MATERIAL - | FINISH - |