

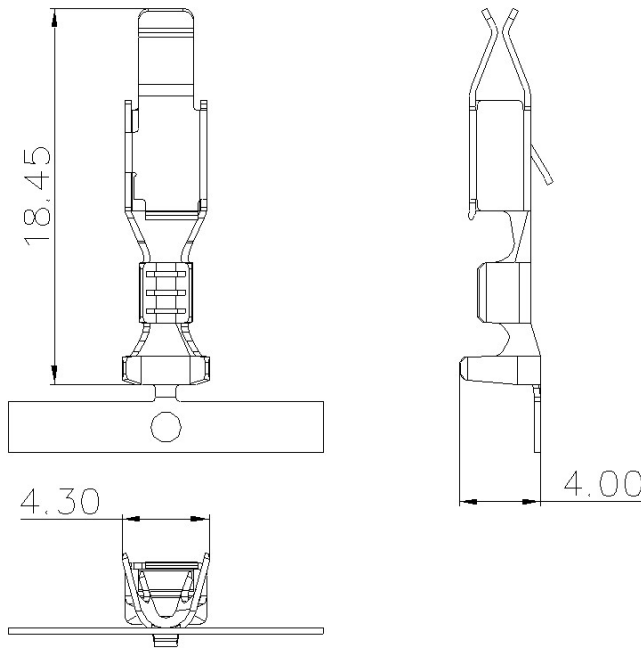
Category: 插拔式端子-插头/Plug-in terminal-plug

Product name: MC-RB5.08-10-3000

Product Description: 5.08mm , 320V , 18A CE



Product Picture



基本信息 /Basic Information

产品型号 SUPU ID	MC-RB5.08-10-3000
产品间距 Pitch	5.08mm
产品层数 Number of levels	-
产品位数 Number of connections	-
接线方式 Connection method	冷压接线Cold connection
防护等级 Protection Level	IP20

工作温度 Work temperature	-40~+105°C
--------------------------	------------

IEC数据 /IEC Data

额定电流 Rated Current	10A		
额定电压 Rated Voltage	320V		
过压类别 Overvoltage category	III	III	II
污染等级 Pollution degree	3	2	2
额定冲击电压 Rated impulse voltage	4KV	4KV	4KV
额定电压 Rated Voltage	250V	320V	630V
硬导线截面积 Conductor cross section solid	-		
柔性导线截面积 Conductor cross section flexible	0.5-1.0mm ²		
柔性导线截面积，带绝缘管套 Conductor cross section flexible,with furrule	-		
锁线螺钉规格 Locking screw Specification	-		
额定扭矩 Rated Torque	-		
固定螺钉规格 Fixed Screw Specification	-		
额定扭矩 Rated Torque	-		
剥线长度 Stripping length	-		

UL数据 /UL Data

使用组别 Use group	B	C	D
额定电流 Rated Current	-	-	-
额定电压 Rated Voltage	-	-	-

额定接线容量	-
Rated cross section	-

材料信息 /Material Data

绝缘材料	-
Insulation material	-
绝缘材料组别	-
Insulation material group	-
阻燃等级,符合UL94	-
Flame retardant grade, UL94 compliance	-
导电体材料	Copper alloy
Contact material	Copper alloy
导电体表面镀层	Sn,Plated
Surface characteristics	Sn,Plated

产品认证 /Product Certification

认证图标
Certificate



UL证书号
UL file No.

VDE证书号
VDE No.

TUV证书号
TUV No.

CE证书号
CE No. 0B181010.NSET013

Ningbo Supu Electronics Co.,Ltd

Zip code: 315303

Fax: +86 574-63288170

E-mail : askme@supu.cn

Address: No. 625, Kandun Town Street, Cixi
City, Zhejiang Province

Switchboard: +86 574-63288158

E-mail : askme@supu.cn

Service Hotline: 400-626-6336



Code

File date : 2025-02-12 14:02

Product Entry : 2023-09-20

The right to modify data belongs to
Supu.