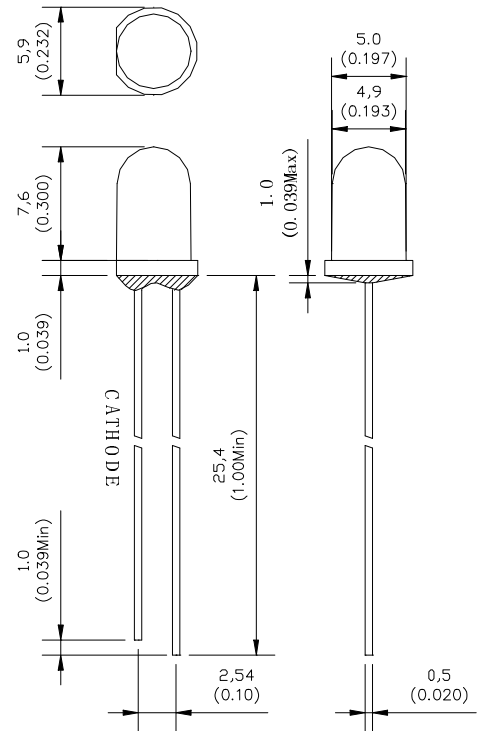


GNL-5013Uxw-D (Φ 5mm ROUND TYPE) Ultra Brightness LED

ABSOLUTE MAXIMUM RATING:(Ta=25°C)

Parameter			Unit
DC Forward Current	30		mA
Reverse Voltage	5		V
Reverse Current (Vr=5V)	10		μA
Peak Forward Current ,tw ,=1 msec Duty ,=1/20	150		mA
Operation Temperature	-40	+80	°C
Storage Temperature	-40	+100	°C
Solder Dip (5 seconds, 1.6mm from body) Temperature	300	± 5	°C



Feature:

- 1.Small flange without stand-off
- 2.Long life-solid state reliability
- 3.Long lead length(25.4mm)
- 4.Versatile mounting on P.C. board or panel

Description:

- 1.The shape of this series is round
- 2.General application is for indication,illumination,etc.
- 3.These LED lamps are available with a choice of defferent colors,light intensities,epoxy colors,etc.

Part Number	EMITTED COLOR		Lens Color	Color Temperature	Vf (v) Typ.	IV (If=20mA) mcd		View Angle 2 θ 1/2
						Min.	Typ.	
GNL-5013UEW-D	AlGaInP	Super Red	White Diffused	625nm	2.0	700	900	60°
GNL-5013UYW-D	AlGaInP	Super Yellow	White Diffused	590nm	2.0	800	1000	60°
GNL-5013UBW-D	InGaN	Super Blue	White Diffused	470nm	3.5	2000	2500	50°
GNL-5013PGW-D	InGaN	Pure Green	White Diffused	525nm	3.5	5000	7000	50°
GNL-5013UWW-D	InGaN	Super White	White Diffused	5500K-7000K	3.5	1900	2300	60°