

Data sheet

Commercial Art.No.: Z2.803.4010.0

Shield connection terminal WST 8 / C

Shield connection terminal block for mounting on C-rail; wire diameter 3 to 8 mm



| | |
|--------------------|---------------|
| Commercial Art.No. | Z2.803.4010.0 |
| EAN | 4049088256219 |
| Order Unit | 10 |

Technical data

General

| | |
|-------------------------------------|--------|
| Color | Chrome |
| Number of levels | 1 |
| Number of clamp positions per level | 1 |
| Explosion-tested version "Ex e" | No |

Technical data

| | |
|--------|-------|
| Length | 18 mm |
| Width | 13 mm |
| Height | 26 mm |

Connection Data

| | |
|-----------------|-------------------------|
| Connection type | spring clamp connection |
|-----------------|-------------------------|

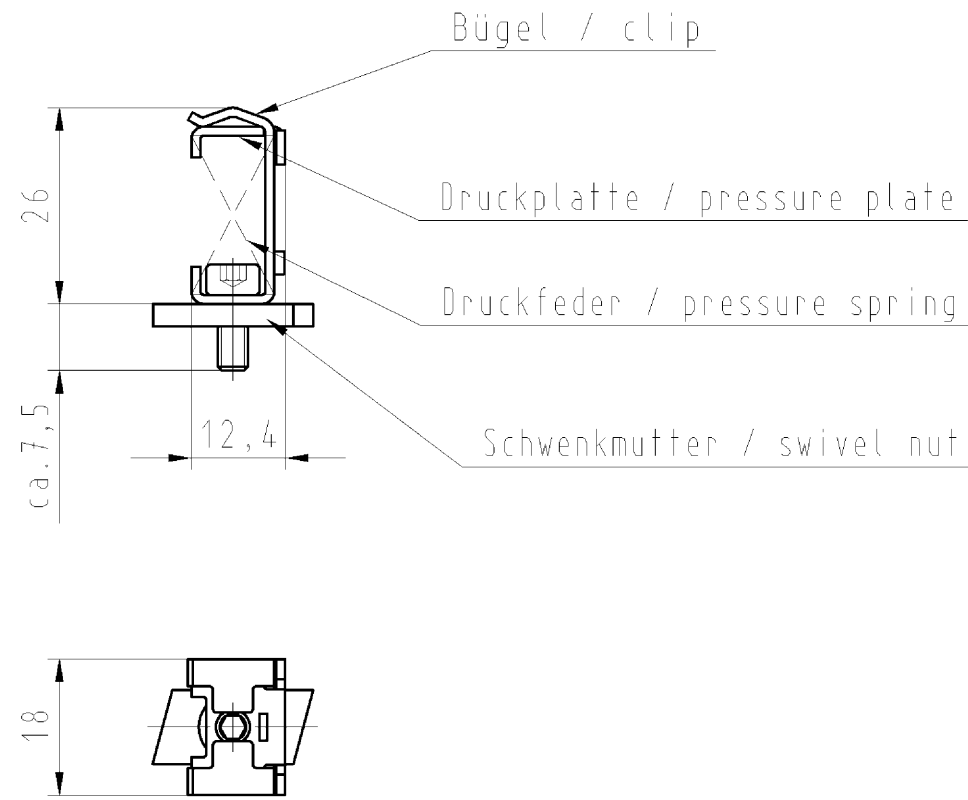
Classification

| | |
|------------|----------|
| ECLASS 11 | |
| ECLASS 8.1 | 27141120 |
| ETIM 7.0 | EC000897 |
| ETIM 6.0 | EC000897 |
| ETIM 5.0 | EC000897 |

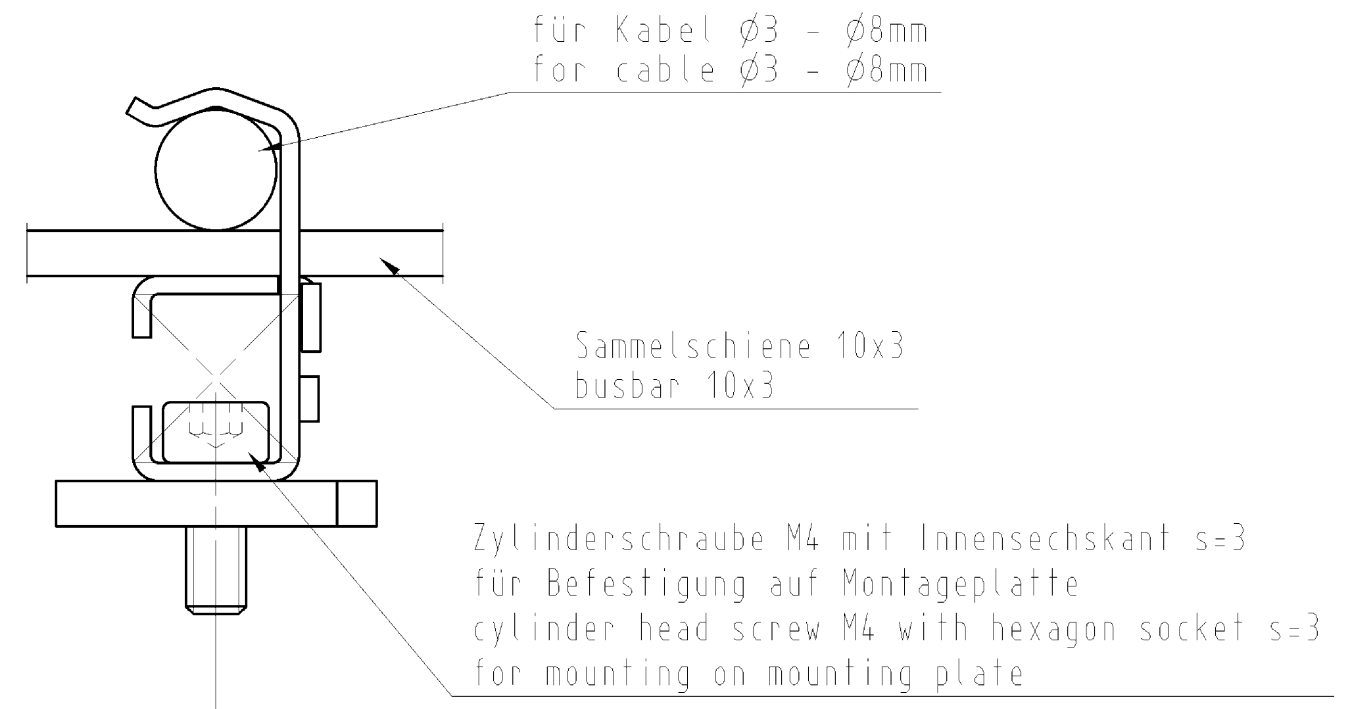
Product compliance

| | |
|------------------------------|-----------|
| REACH-SVHC conformity status | Compliant |
|------------------------------|-----------|

Verpackungseinheit: 10 Stück im Beutel
 packaging unit: 10 pieces in a bag



montierter Zustand/mounted state
 M 2:1



Weitere Daten siehe Katalog
 further data see catalog

| | | | | | | | |
|---|--|---|--|---|---|-------------------------------|--|
| Tolerierung Size ISO 14405 (E) / Tolerance system Size ISO 14405 (E). (This ISO-standard describes the envelope principle. According to the envelope principle the deviations of form and parallelism are limited by the size tolerances). | | | | ja/yes <input checked="" type="checkbox"/> Stoffverbots- und Deklarationsliste nach UU-TQM-05/03 ist einzuhalten. Conformity with Wieland document UU-TQM-05/03 (list of prohibited / declarable hazardous substances) to be declared! | | | |
| Freitoleranz nach DIN ISO 2768 - m General tolerance | | CAD - Zeichnung, keine manuellen Änderungen CAD - drawing, no manual modifications allowed | | 1. Verwendung: - First Use: | | Blatt: 1 von 1 Sheet: of 1 | |
| / | | Werkstoff/Material | | 2014 | Tag/Date | Name | |
| / | | Maßstab/Scale | | gezeichnet/drawn | 27.02. | Dvetsch | |
| / 1:1 | | | | geprüft/checked | - | | |
| / Vol. | | mm ³ Of./Surf. | | Normgepr. / Stand. check | - | | |
| / | | www.wieland-electric.com | | Ersatz für/Replacement for: - | | Zeichnung Nr./Drawing No. | |
| Index | | Datum / Blatt / Date / Sheet | | Type | Benennung/Titel | | |
| Änderung/Revision | | | | WST 8/C | SHIELD CONNECTION TERMINAL BLOCK SCHIRMANSCHLUSSKLEMME | | |
| | | | | Kabeldurchmesser 3mm - 8mm cable-Ø 3mm - 8mm | | | |
| | | | | Maße in mm/Dimensions are in mm | | | |
| | | | | Z2.803.4010.0 01K | | | |

Weitergabe sowie Vervielfältigung dieses Dokuments, Verwertung und Mitteilung seines Inhalts sind verboten, soweit nicht ausdrücklich gestattet. The reproduction, distribution and utilization of this document as well as the communication of its contents to others without express authorization is prohibited.

Z28034010001K_2_CADW3027 Dvetsch 2014-02-28T10:34:32 1.000