

REVISION RECORD				
REV	ECN	DESCRIPTION	DRFT	DATE

NOTES1:

UL Standard

1.Rated voltage/current : 300V / 41A

2.Withstanding voltage : AC1600V/1Min.

IEC Standard

1. Pollution degree	2	2	3
Overvoltage category	II	III	III
Rate impulse voltage(KV)	6.0KV	6.0KV	6.0KV
Rate voltage(V)	1000V	630V	630V
Rate current(A)	41A		

NOTES2:

1.Dimension shall be interpreted per ASME Y14.5-2009

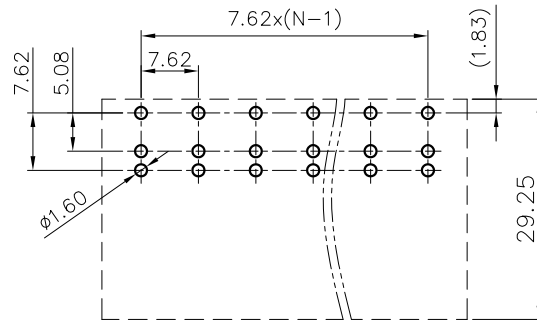
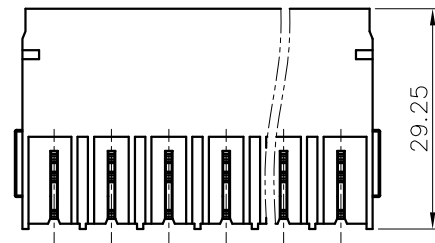
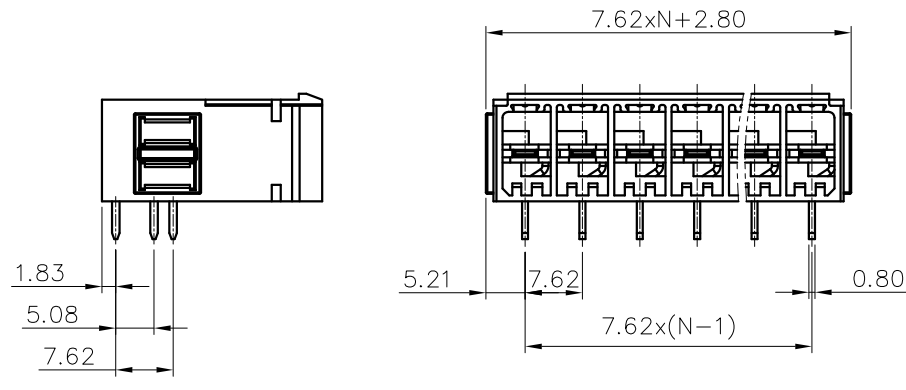
2.Pitch : 7.62mm, Poles : N=02~12P

3.Operating temperature: -40°C~+105°C

4.Undimensioned tolerances:

Pitch Range In mm	Nominal Dimension Range In mm				Tolerance			
	Over 6 TO 10	Over 10 TO 24	Over 30 TO 60	Over 60 TO 150				
±0.15	±0.20	±0.30	±0.30	±0.50	±0.70	±1.00	±1.30	0.1/10
±2'								

5.RoHS Compliance



PCB LAYOUT

5EDGRHC - 7.62 - XXP - 1Y - 00A (H)

(Series No.(Pitch) (Poles) (Single Pitch) (Color):1.(Grey)
 2.(Blue)
 3.(Black)
 4.(Green)
 5.(Orange)
 6.(Red)
 7.(Transparent)
 8.(Yellow)
 9.(White)

(RoHS)
 00A-(Standard)

DETACHED LISTS	PART NO.:	/			
	APPD:	/			
	CHKD:	/			
	DRFT:	/			
	<p>THIRD ANGLE PROJECTION</p>		<p>DO NOT SCALE DRAWING</p>		
<p>宁波高松电子有限公司 NINGBO DEGSON ELECTRICAL CO., LTD</p>		<p>NAME: 5EDGRHC-7.62-XXP-1Y-00A(H)</p>			
TITLE: CUSTOMER DRAWING		REV	D0		
DRAWING NO.:		/		SHEET	1/1
		SCALE	1:1		