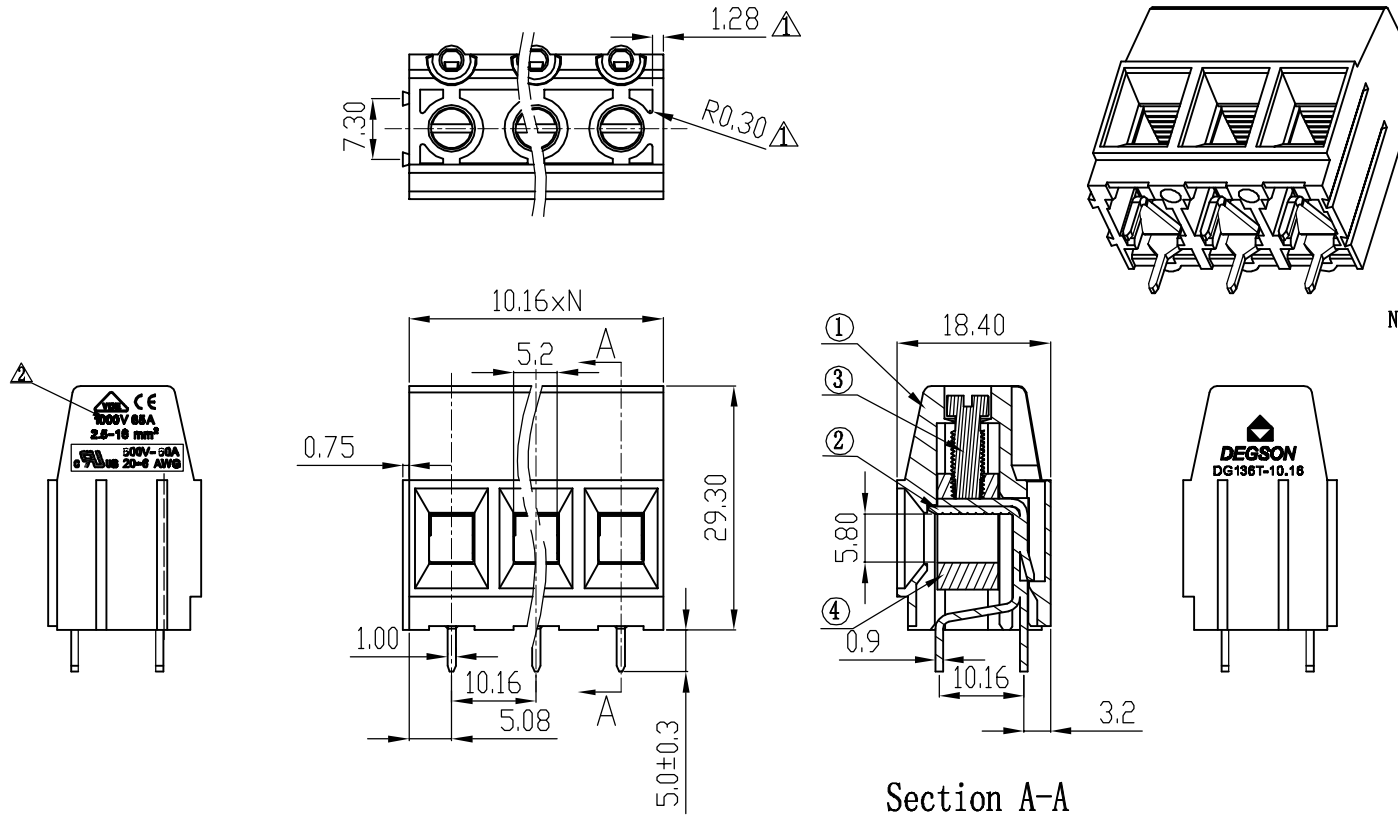


REVISION RECORD					
REV	ECD	DESCRIPTION	DRFT	DATE	
△	09-009	增加L.28mm的筋,倒角0.3mm	YHG	08/14/09*	
△	09-009	螺丝由铜改为黄铜	YHG	09/19/09*	
△	09-009	方块由PC10-FB变为PC10-FF方块	YHG	09/19/09*	
△	09-009	增加V型刻字	YHG	10/22/09*	
△	10-014	版面整理	Lasting	09/11/10*	



Notes:

1. Pitch: 10.16mm, Poles: 2P-XXP
2. Rated voltage/current: UL 600V/52A
IEC 690V/65A
3. Insulation resistance: 5000MΩ/DC1000V
4. Withstanding voltage: AC3000V/1min
5. Temp. Range: -40°C~+105°C
6. Wire Range: 20-6AWG, 16.0mm²
7. Max. Torque Value: M4, 12.24kgf.cm
8. Undimensioned Tolerances:

Pitch range in mm		Nominal dimension range in mm				
to	6	over 6 to 10	over 10 to 24	over 30 to 60	over 60 to 100	over 100 to 150
±0.10	±0.15	±0.25	±0.2	±0.3	±0.5	±1
						0.05/0

Section A-A

4	PC10 Brass Cage	X000000910(H)	XX	Brass	Ni plated
3	PC6 M4-Screw	S000001490(H)	XX	Brass	Ni plated
2	DG136T Pin header	4115B00010(H)	XX	Copper	SnCe

ITEM	NAME OF PART	NO. OF PART	Q'TY	MATERIAL	NOTES
1	DG136T Housing	4115A0YXXA(H)	1	PA66	UL94V-0

MM (INCH)	DRFT YHG	DATE 06/11/08*
TOLERANCES EXCEPT AS NOTED	CHKD	DATE
	MFD	DATE
	APPVL	DATE
	MATERIAL :	
ANGLES ± 1°	G.E :	
THIRD ANGLE PROJECTION	FINISH:	
	SCALE : 1:1	

宁波高正电子有限公司 DEGSON ELECTRONICS CO., LTD	
NAME DG136T-10.16-XXP-1Y-00A(C)	
DRAWING NO. DG136T-10.16-E01	SIZE A3
/PART NO.	REV T3 09/11/10*
DO NOT SCALE DRAWING	SHEET 1 OF 1