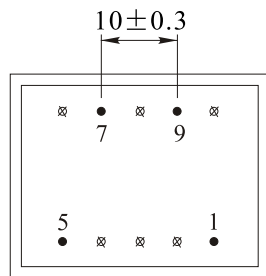
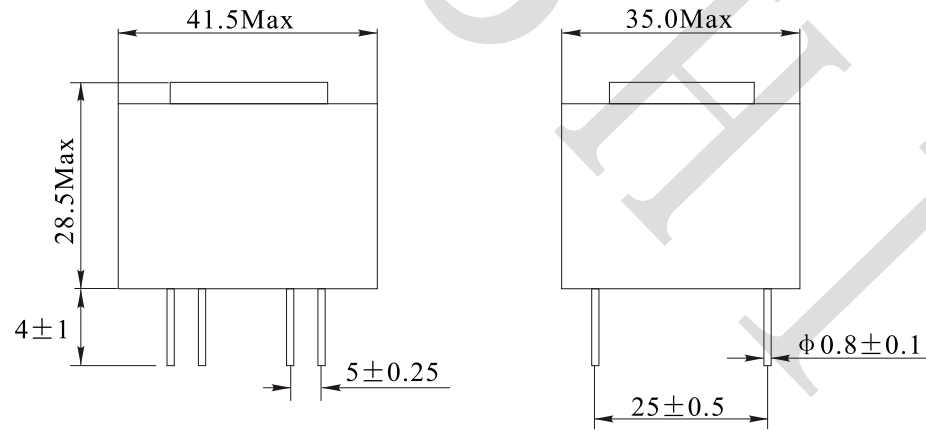


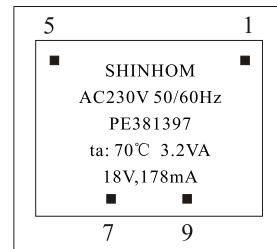
Rev.	Description	Date
A0	New release	2022.06.20

### 1. PHYSICAL CHARACTERISTICS (mm)

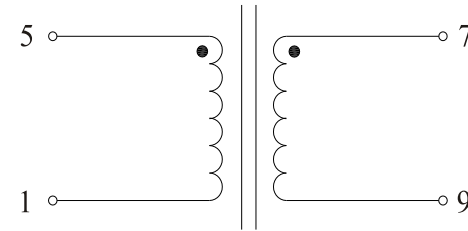


Bottom view

### Top marking



### 2. ELECTRONICAL SCHEMATIC



### 3. ELECTRONICAL SPECIFICATIONS

- Pri voltage: 230V, 50Hz
- Sec load voltage: 18.0V ± 5%V @ 178mA
- Noload voltage: 24.1V ± 5%V
- Output Power: 3.2VA
- Hi-Pot: 4000V, 50Hz, 1mA, 10S Pri to Sec

#### Note:

- Solderability: leads shall meet MIL-STD-202, Method 208D for solderability.
- Flammability: UL94V-0
- ASTM oxygen index: >28%

#### NOTES:

Temp 20°C 48%RH  
RoHS Compliant

NAME:	Potting Transformer		
CUSTOMER P/N:		DATE:	2022-06-20
SHINHOM P/N:	PE381397	REV: A0	PAGE
DRAWN BY	CHECKED BY	APPROVE BY	



**SHINHOM**  
SHAANXISHINHOM ENTERPRISE CO LTD

The Document property belong to SHINHOM & is not allowed to be duplicated without authorization