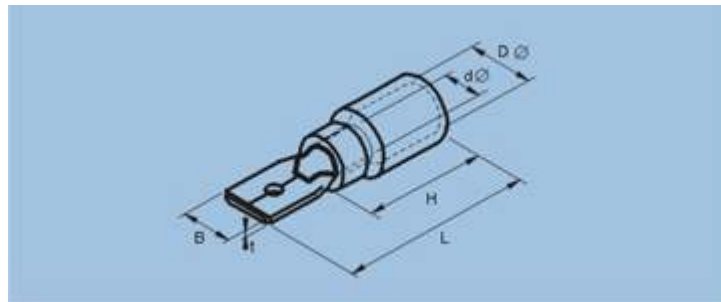


## Insulated Male Terminals



【 Insulated Male Terminal Size Drawing】



Cable section : 0.5 ~ 1.5mm<sup>2</sup>(American Standard :22 ~ 16) Max. Current : I<sub>max</sub>=10A

Items No.	NEMA TAB	Thickness of material	Dimension				
			B	dφ	Dφ	L	H
	mm	mm	mm	mm	mm	mm	mm
MDD 1.25-110(8)	0.8×2.8	0.8	2.8	1.7	3.8	17.7	10.0
MDD 1.25-187(5)	0.5×4.75	0.5	4.75	1.7	3.8	20.0	
MDD 1.25-187(8)	0.8×4.75	0.4	4.75	1.7	3.8	18.5	
MDD 1.25-250	0.8×6.35	0.4	6.35	1.7	3.8	21.0	

Cable section : 1.5 ~ 2.5mm<sup>2</sup>(American Standard 16 ~ 14)Max. Current : I<sub>max</sub>=15A

Item No.	NEMA TAB	Thickness of material	Dimension				
			B	dφ	Dφ	L	H
	mm	mm	mm	mm	mm	mm	mm
MDD2-187(5)	0.5×4.75	0.5	4.75	2.3	4.3	20.0	10.0
MDD2-187(8)	0.8×4.75	0.4	4.75	2.3	4.3	18.5	
MDD2-250	0.5×6.35	0.4	6.35	2.3	4.3	21.0	

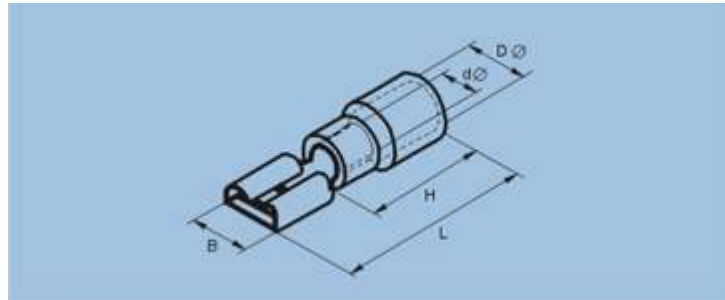
Cable section : 4 ~ 6mm<sup>2</sup>(American Standard 12 ~ 10) Max. Current : I<sub>max</sub>=24A

Item No.	NEMA TAB	Thickness of material	Dimension				
			B	dφ	Dφ	L	H
	mm	mm	mm	mm	mm	mm	mm
MDD 5.5-250	0.8×6.35	0.4	6.35	3.4	5.7	25.0	12.5

## Insulated Female Terminal



【 Insulated Female Terminals Size Drawing】



Cable Section : 0.5 ~ 1.5mm<sup>2</sup>(American Standard: 22 ~ 16) Max. Current : I<sub>max</sub>=10A

Item No.	NEMA TAB	Thickness of material	Dimension				
			B	dφ	Dφ	L	H
	mm	mm	mm	mm	mm	mm	mm
FDD 1.25-110(5)	0.5×2.8	0.3	3.8	1.7	3.8	19.0	10.0
FDD 1.25-110(8)	0.8×2.8	0.3	3.8	1.7	3.8	19.0	
FDD 1.25-187(5)	0.5×4.75	0.35	5.6	1.7	3.8	19.0	
FDD 1.25-187(8)	0.8×4.75	0.35	5.6	1.7	3.8	19.0	
FDD 1.25-250	0.8×6.35	0.4	7.4	1.7	3.8	21.0	

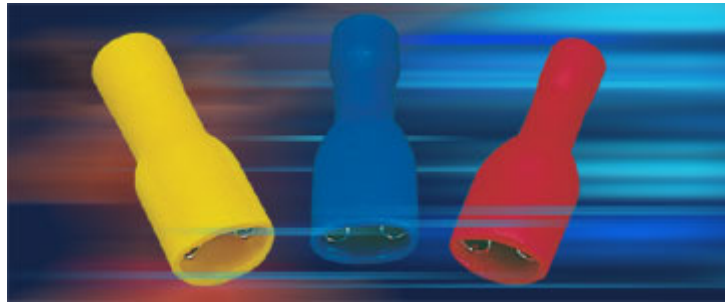
Cable Section : 1.5 ~ 2.5mm<sup>2</sup>(Cable Section:16 ~ 14) Max. Current : I<sub>max</sub>=15A

Item. No.	NEMA TAB	Thickness of material	Dimension				
			B	dφ	Dφ	L	H
	mm	mm	mm	mm	mm	mm	mm
FDD 2-110(5)	0.5×2.8	0.3	3.8	2.3	4.3	19.0	10.0
FDD 2-110(8)	0.8×2.8	0.3	3.8	2.3	4.3	19.0	
FDD 2-187(5)	0.5×4.75	0.35	5.6	2.3	4.3	19.0	
FDD 2-187(8)	0.8×4.75	0.35	5.6	2.3	4.3	19.0	
FDD 2-250	0.8×6.35	0.4	7.4	2.3	4.3	21.0	

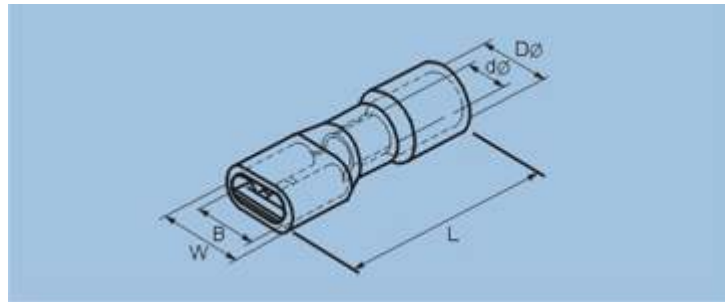
Cable Section : 4 ~ 6mm<sup>2</sup>Cable Section:12 ~ 10) Max. Current : I<sub>max</sub>=24A

Item No.	NEMA TAB	Thickness of material	Dimension				
			B	dφ	Dφ	L	H
	mm	mm	mm	mm	mm	mm	mm
FDD 5.5-250	0.8×6.35	0.4	7.4	3.4	5.7	25.0	12.5

## Fully Insulated Female Connectors



【 Fully Insulated Connectors Size Drawing】



Cable Section : 0.5 ~ 1.5mm<sup>2</sup>(American Standard 22 ~ 16) Max. Current : I<sub>max</sub>=10A

Item No.	NEMA TAB mm	Dimension				
		W mm	B mm	Dφ mm	dφ mm	L mm
FDFD1.25-187(5)	0.5×4.75	7.6	5.6	3.8	1.7	20.0
FDFD1.25-187(8)	0.8×4.75	7.6	5.6	3.8	1.7	20.0
FDFD1.25-250	0.8×6.35	9.4	7.4	3.8	1.7	21.5

Cable Section : 1.5 ~ 2.5mm<sup>2</sup>(American Standard 16 ~ 14) Max. Current : I<sub>max</sub>=15A

Item No.	NEMA TAB mm	Dimension				
		W mm	B mm	Dφ mm	dφ mm	L mm
FDFD2-187(5)	0.5×4.75	7.6	5.6	4.3	2.3	20.0
FDFD2-187(8)	0.8×4.75	7.6	5.6	4.3	2.3	20.0
FDFD2-250	0.8×6.35	9.4	7.4	4.3	2.3	21.5

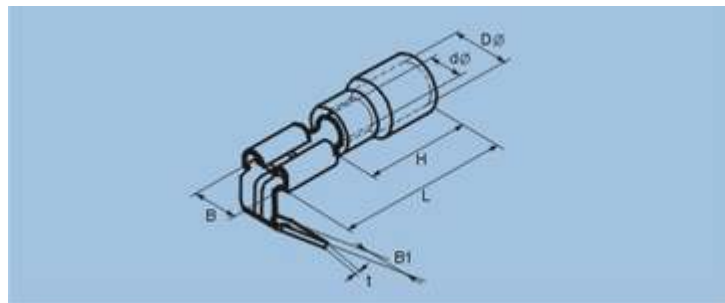
Cable Section : 4 ~ 6mm<sup>2</sup>(American Standard 12 ~ 10) Max. Current : I<sub>max</sub>=24A

Item No.	NEMA TAB mm	Dimension				
		W mm	B mm	Dφ mm	dφ mm	L mm
FDFD5.5-250	0.8×6.35	9.4	7.4	5.7	3.4	25.5

## Flat Insulated Male and Female connectors



【 Flat Insulated Male & Female Connectors Size Drawing】



Cable Section : 0.5 ~ 1.5mm<sup>2</sup>(American Standard22 ~ 16) Max. Current : I<sub>max</sub>=10A

Item No.	NEMA TAB mm	Dimension					
		W mm	B1 mm	H mm	Dφ mm	dφ mm	L mm
PBDD 1.25-250	0.8×6.35	7.4	6.3	10.0	3.8	1.7	21.5

Cable Section : 1.5 ~ 2.5mm<sup>2</sup>(American Standard16 ~ 14) Max. Current : I<sub>max</sub>=15A

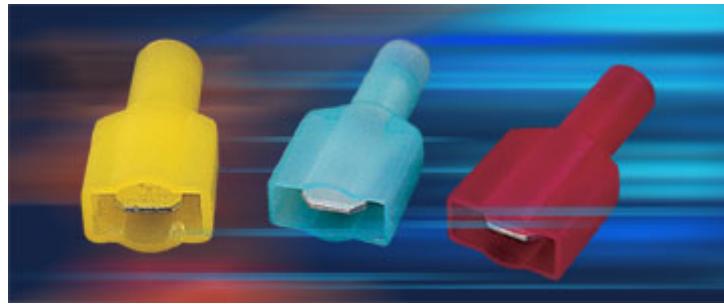
Item No.	NEMA TAB mm	Dimension					
		W mm	B1 mm	H mm	Dφ mm	dφ mm	L mm
PBDD 2-250	0.8×6.35	7.4	6.3	10.0	4.3	2.3	21.5

Cable Section : 4 ~ 6mm<sup>2</sup>(American Standard12 ~ 10) Max. Current : I<sub>max</sub>=24A

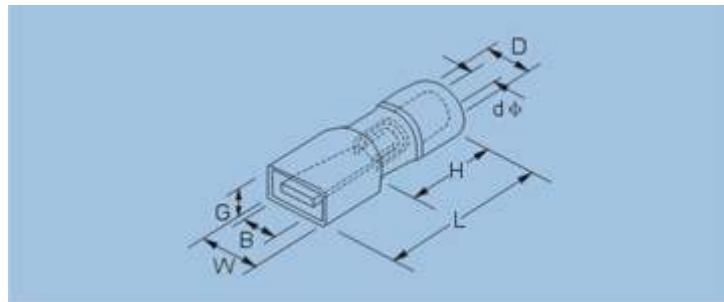
Item No.	NEMA TAB mm	Dimension					
		W mm	B1 mm	H mm	Dφ mm	dφ mm	L mm
PBDD 5.5-250	0.8×6.35	7.4	6.3	12.5	5.7	3.4	25.0

## Insulated Nylon Male Connectors

【Insulated Nylon Male Connectors】



【 Insulated Nylon Male Connectors Size Drawing】



Cable Section : 0.5 ~ 1.5mm<sup>2</sup>(American Standard 22 ~ 16) Max. Current : I<sub>max</sub>=10A

Item No.	Nema tab	Thickness of material	Dimension						Colour
			B	W	L	Hφ	dφ	Dφ	
	mm	mm	mm	mm	mm	mm	mm	mm	
MDFNY 1.25-250	0.8×6.35	0.8	6.30	11.8	24.5	11.0	1.8	3.5	red

Cable Section : 1.5 ~ 2.5mm<sup>2</sup>(American Standard 16 ~ 14) Max. Current : I<sub>max</sub>=15A

Item No.	Nema tab	Thickness of material	Dimension						Colour
			B	W	L	Hφ	dφ	Dφ	
	mm	mm	mm	mm	mm	mm	mm	mm	
MDFNY 2-250	0.8×6.35	0.8	6.30	11.8	24.5	11.0	2.3	4.0	blue

Cable Section : 4 ~ 6mm<sup>2</sup>(American Standard 12 ~ 10) Max. Current : I<sub>max</sub>=24A

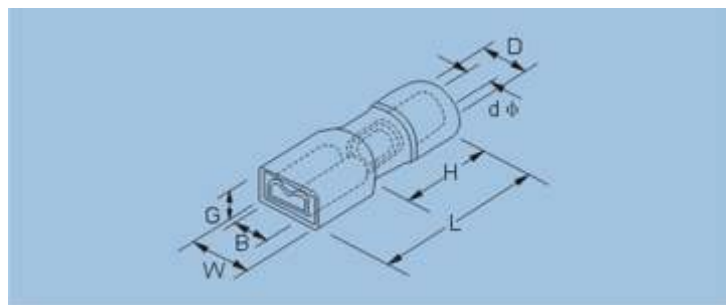
Item No.	Nema tab	Thickness of material	Dimension						Colour
			B	W	L	Hφ	dφ	Dφ	
	mm	mm	mm	mm	mm	mm	mm	mm	
MDFNY 5.5-250	0.8×6.35	0.8	6.30	11.8	24.5	11.0	3.5	5.0	yellow

## Insulated Nylon Female Connectors

【 Insulated Nylon Female Connectors 】



【 Insulated Nylon Female Connectors Size Drawing 】



Cable Section : 0.5 ~ 1.5mm<sup>2</sup>(American Standard 22 ~ 16) Max. Current : I<sub>max</sub>=10A

Item No.	Nema tab	Thickness of material	Dimension						Colour
			B	W	L	H	dφ	Dφ	
	mm	mm	mm	mm	mm	mm	mm		
FDFNY 1.25-110(5)	0.5×2.8	0.3	3.8	5.8	19.0	10.0	1.8	3.5	red
FDFNY 1.25-110(8)	0.8×2.8	0.3	3.8	5.8	19.0				
FDFNY 1.25-187(5)	0.5×4.75	0.35	5.6	7.4	19.5				
FDFNY 1.25-187(8)	0.8×4.75	0.35	5.6	7.4	19.5				
FDFNY 1.25-250	0.8×6.35	0.4	7.4	10.0	23.0				

Cable Section : 1.5 ~ 2.5mm<sup>2</sup>(American Standard 16 ~ 14) Max. Current : I<sub>max</sub>=15A

Item No.	Nema tab	Thickness of material	Dimension						Colour
			B	W	L	H	dφ	Dφ	
	mm	mm	mm	mm	mm	mm	mm		
FDFNY 2-110(5)	0.5×2.8	0.3	3.8	5.8	19.0	10.0	2.3	4.0	blue
FDFNY 2-110(8)	0.8×2.8	0.3	3.8	5.8	19.0				
FDFNY 2-187(5)	0.5×4.75	0.35	5.6	7.4	19.5				
FDFNY 2-187(8)	0.8×4.75	0.35	5.6	7.4	19.5				
FDFNY 2-250	0.8×6.35	0.4	7.4	10.0	23.0				

Cable Section : 4 ~ 6mm<sup>2</sup>(American Standard 12 ~ 10) Max. Current : I<sub>max</sub>=24A

Item No.	Nema tab	Thickness of material	Dimension						Colour
			B	W	L	H	dφ	Dφ	
	mm	mm	mm	mm	mm	mm	mm		
FDFNY 5-250	0.8×6.35	0.4	7.4	10.0	24.0	11.0	3.5	5.0	yellow