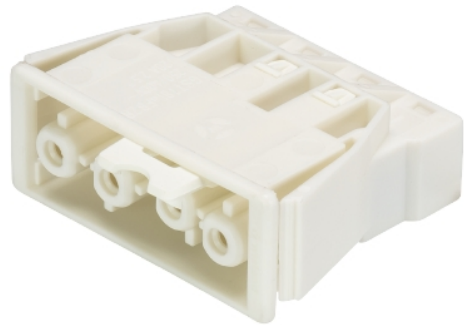


Data sheet

Commercial Art.No.: 92.041.9658.0

Device connector GST18I4F B2 R V WS

Device connectors, snap-in panel mount, GST18I4, 4 pole, female, spring clamp connection, 250/400 V, 20 A, material thickness 0,5 - 1,5 mm, colour of coding: white



Commercial Art.No.	92.041.9658.0
EAN	4015573399556
Order Unit	1

Certificates / Approvals



Technical data

General

Rated current	20 A
Rated voltage	250 V / 400 V
Pollution degree	2
Mechanical coding	Code 1
Rated impulse voltage	4 kV
Lockable	self-locking (unlocking by tool)
Color of coding/ contact carrier	white
Marking of poles	2, N, PE, 1

Connection Data

Connection cross section solid mm ² max.	2.5 mm ²
Connection cross section solid mm ² min.	0.5 mm ²
Connection cross section fine stranded mm ² max.	1.5 mm ²
Connection cross section fine stranded mm ² min.	0.5 mm ²
Terminations per pole	2
Wire strip length	9 mm

Model

Model	female
Connection type	spring clamp connection
Angle of plug	straight
Degree of protection (IP)	IP20
Remark to type of connection	Fine stranded and stranded conductors require cable end sleeve
Thickness of housings (electrical device) 2	0.5 mm
Thickness of housings (electrical device)	1.5 mm

built-in component	snap-in
--------------------	---------

Material

Housing material	Polyamide
halogen free	yes
Contact material	CuZn
Fire load	0.083 kWh
Insulation components continuous temperature	100 °C
Surface finish	Tin-plated

Dimensions

Length	38 mm
Width	42.5 mm
Height	18.5 mm

Classification

ECLASS 11	
ECLASS 8.1	27440602
ETIM 7.0	EC002566
ETIM 6.0	EC002566
ETIM 5.0	EC002566
ETIM 4.0	EC002566

Product compliance

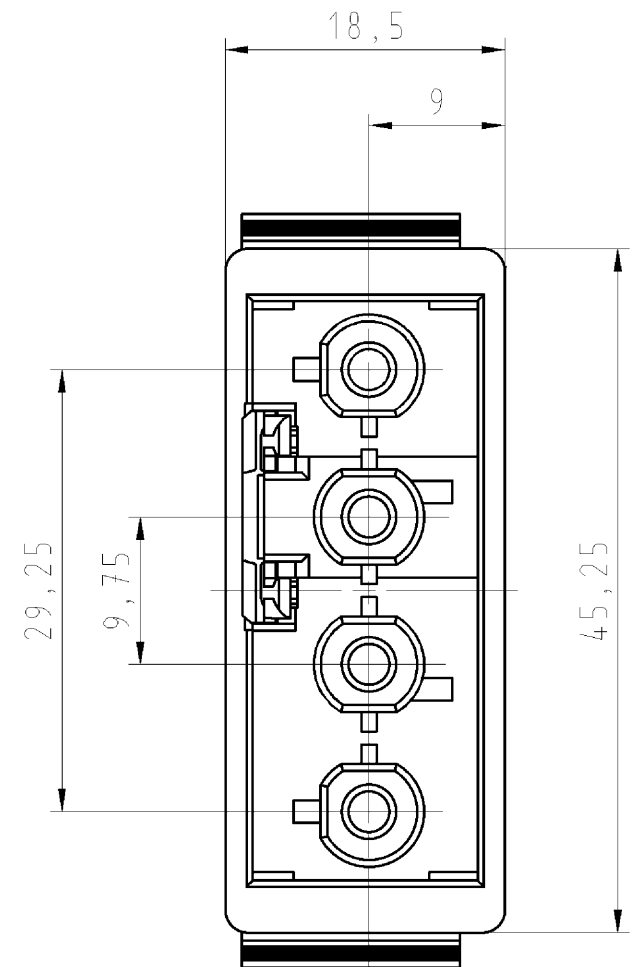
ROHS conformity status	Compliant/Exempted
ROHS exceptions	III-6(c)
REACH-SVHC conformity status	Duty-To-Declare
REACH-SVHC substances	Lead
REACH-SVHC CAS numbers	7439-92-1

Accessories

Commercial Art.No.:	Article-type description:	Description:
05.595.1453.0	Lock (G)ST18V SW	Locking device for snap-in panel mount GST18i3-5, retrofit part, black
05.595.1453.2	Lock (G)ST18V WS	Locking device for snap-in panel mount GST18i3-5, retrofit part, white
05.564.5353.0	cover cap GST18i3/4/5 SW	Cover piece 12 pole black for female parts GST18i3-6
05.564.5353.2	cover cap GST18i3/4/5 WS	Cover piece 12 pole white for female parts GST18i3-6
05.566.9153.0	cover cap GST18i4 BUCHSEN	Cover for female connectors GST18i4, black
07.425.8853.0	Cover GST18i4 WS	Cover to close unused openings for GST18i4 panel mounts. Cover: white

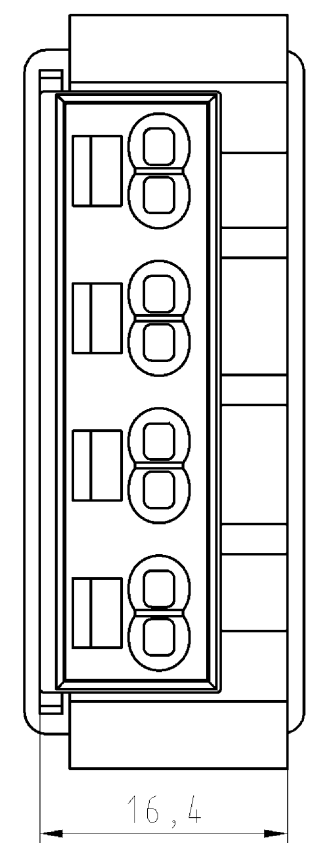
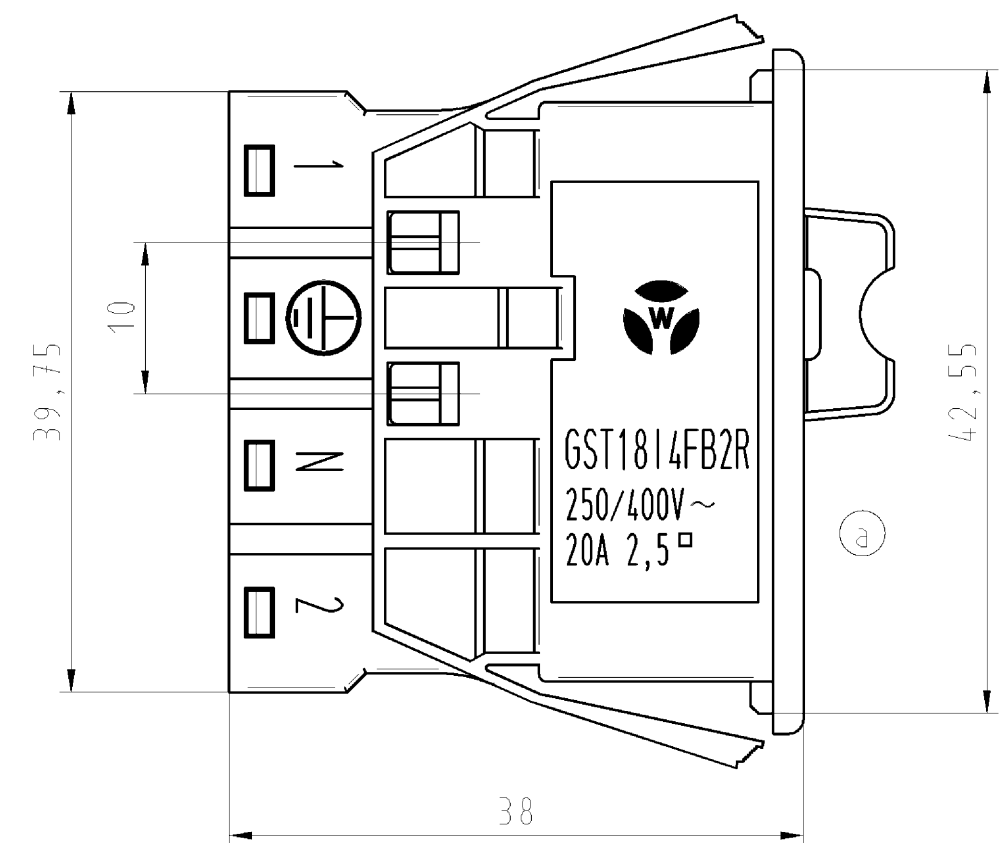
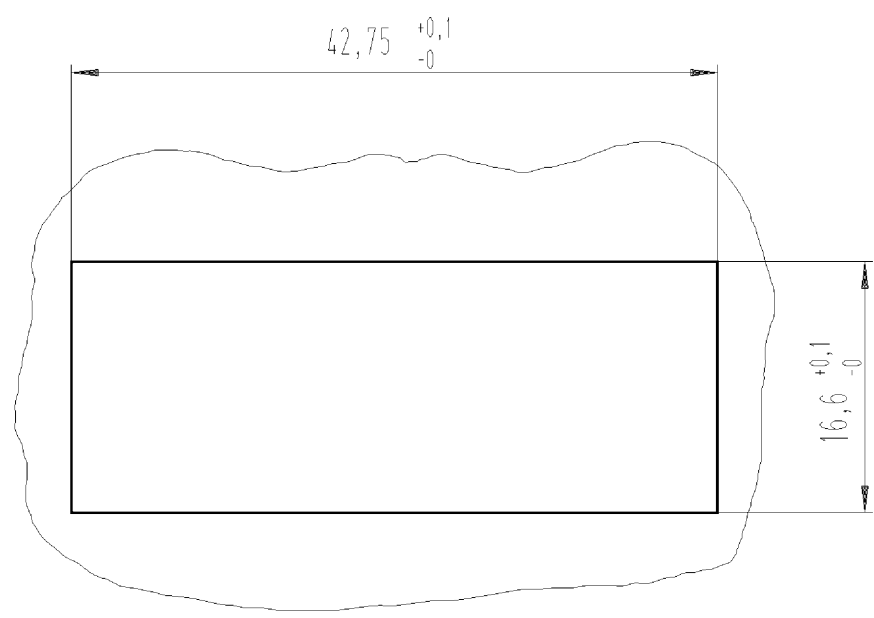
These dimensions will be especially checked at delivery
Only inspection dimensions
With /E marked dimensions are only valid for internal use

Diese Maße werden bei Abnahme besonders geprüft
Ausschließlich Prüfmaße
Mit /E gekennzeichnete Maße sind nur für interne Zwecke gültig



Blechausschnitt

Blechdicke 0,5 - 1,5 mm
section of housing
material thickness 0,5 - 1,5 mm



Weitere Daten siehe Katalog
further data see catalog

Teilenummer part number	Farbe colour	Typ type
92.041.9658.0	weiß/white	GST1814F B2 R V WS
92.041.9658.1	schwarz/black	GST1814F B2 R V SW

Tolerierung Size ISO 14405/Tolerance system Size ISO 14405. (This ISO-standard describes the envelope principle. According to the envelope principle the deviations of form and parallelism are limited by the size tolerances).				ja/yes <input checked="" type="checkbox"/> Stoffverbots- und Deklarationsliste nach UU-TQM-05/03 ist einzuhalten. Conformity with Wieland document UU-TQM-05/03 (list of prohibited / declarable hazardous substances) to be declared!			
Freitoleranz nach General tolerance		CAD - Zeichnung, keine manuellen Änderungen CAD - drawing, no manual modifications allowed		1.Verwendung: First Use:		Blatt: 1 von 1 Sheet: of 1	
		Werkstoff/Material		2007 gezeichnet drawn	Tag/Date 30.01.	Name Schmitt J.	
		Maßstab/Scale 2:1		geprüft checked	-	T 92.041.9658.0 01K a	
		Vol. mm ³ Ofl./Surf. mm ²		Normgepr. Stand. check	-	Maße in mm/Dimensions are in mm	
		a 08.02.2013/ Index Datum / Blatt Date / Sheet		Ersatz für/Replacement for: -		Benennung/Tittle FEMALE CONNECTOR BUCHSENTEIL	
Änderung/Revision		wieland Elektrische Verbindungen		Type s. Tabelle see table		Federkraftanschluß, Snap in / spring-loaded 250/400V AC 20A 2,5qmm	

Weitergabe sowie Vervielfältigung dieses Dokuments, Verwertung und Mitteilung seines Inhalts sind verboten, soweit nicht ausdrücklich gestattet.
The reproduction, distribution and utilization of this document as well as the communication of its contents to others without express authorization is prohibited.