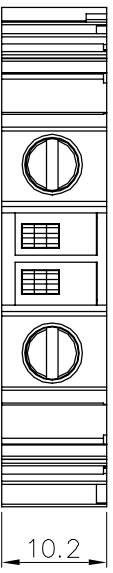
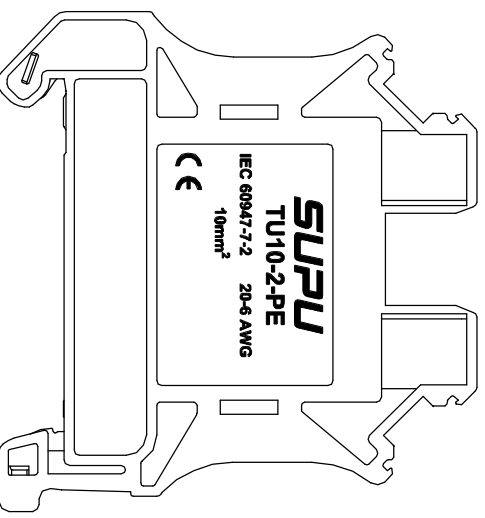
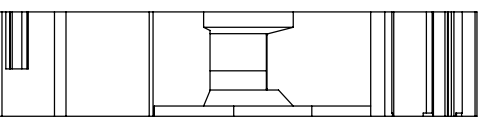
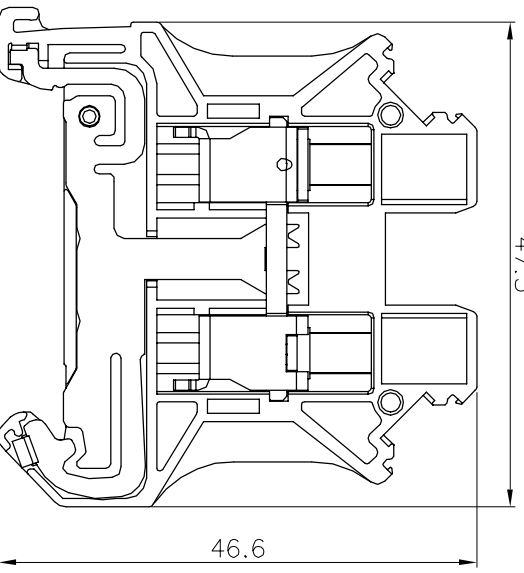


REVISION RECORD			
REV	ECN	DESCRIPTION	DATE



47.3



Connection method:
 1.For solid wire, peeling wire in right length, fix in by rated torque force.
 2.For stranded wire,connect directly after peeling in right length,or furred on wire and fix in by rated torque force.
 (Attention:torque force should be equable, no explosive power.)

Transmittal, reproduction, dissemination and/or editing of this document as well as utilization of its contents and communication thereof to others without express authorization are prohibited.

未经允许禁止传输、复制、编辑该文档，以及利用其内容进行交流



NOTES:

- UL/CUL Standard
- 1.Conductor cross section : 20~6AWG
- 2.Rated torque : M4 , 11.6lb.in
- 3.Rated Voltage/Current :

Use group	B	C	D
Rated voltage(V)	600	600	
Rated current(A)			

IEC Standard

1. Conductor cross section :

Wire range(Solid/Stranded)	0.5-10mm ²	0.5-16mm ²	0.5-10mm ²
Solid			
Stranded			
Stranded with ferrules without plastic sleeve			
Stranded with ferrules with plastic sleeve			

- 2.Rated torque : M4 , 1.3N•m
- 3.Rated Voltage/Current :

Surge voltage category	III
Pollution degree	3
Rated surge voltage(kV)	8
Rated voltage(V)	1000
Rated current(A)	/

Material:

Insulator	P666	UL94 V-0
Cage	Steel	Zn plated
Conductor	Copper alloy	Sn plated
Screw	Steel	Zn plated
Ground Pin	Copper alloy	Sn plated

General information:

- 1.Dimension shall be interpreted per ASME Y14.5-2009
- 2.Stripping length : 10mm
- 3.Operating temperature: -40°C~+105°C
- 4.RoHS Compliance
- 5.Undimensioned Tolerances:

Pitch Range in mm	Nominal Dimension	Range in mm	Tolerance
Over 6	Over 30	Over 60	Over 100
To 10	To 40	To 80	To 150
Over 10	Over 24	Over 30	Over 60
To 10	To 24	To 30	To 60
±0.15	±0.20	±0.30	±0.50
±0.30	±0.50	±0.70	±1.00
±1.00	±1.30	±2.00	±2.00

HOW TO ORDER:

TU10-2-PE

Series No. Color: PE: Yellow and green

订货号	TU10-2-PE	名称	TU系列10mm ² 螺	未注公差	表面
项目	签字	图号	钉一进一出接地	Tolerances Table	VDI21
设计	df	材料	PRM(O)	版本号	重量
审核	cw	Material	Notes	Revision Number	比例
工艺	-	物料号	411035032	M0	Scale
标准化	-	Item No.			1:1
批准	1w1				mm
批准	06/22/20"				

第1页/共1页 1 of 1
SUPU 宁波波普电子有限公司
 NINGBO SUPU ELECTRONICS CO.,LTD.