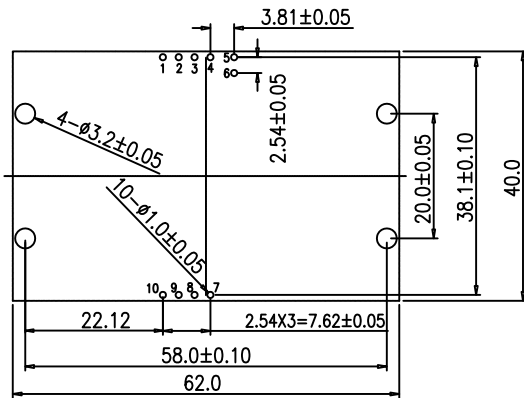
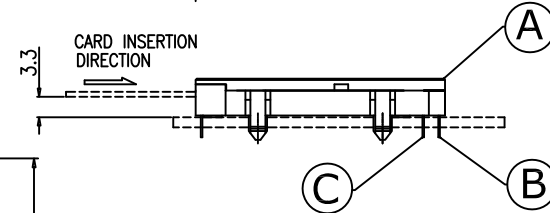
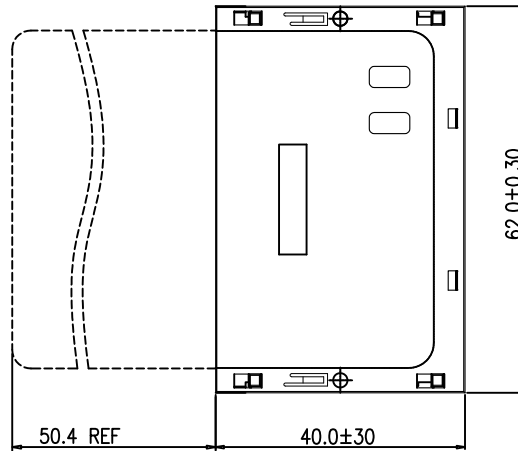
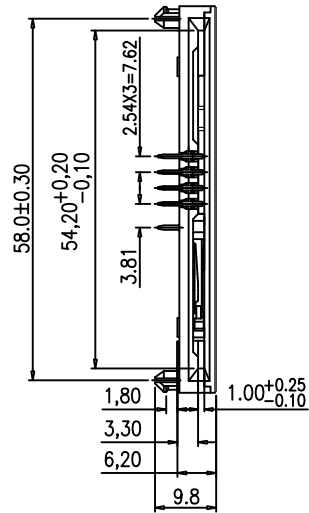
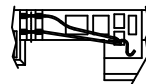
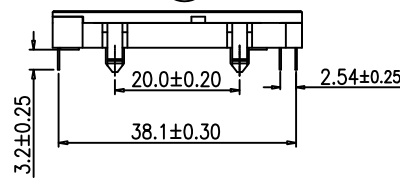


1	2	3	4	5	6	7	8	9	10
SWITCH CIRCUIT			MATERIAL AND FINISH AS BELOW						
WHEN CARD IS EJECTED		WHEN CARD IS INSERTED	A Housing	PBT UL94V-0 Black			E		
CLOSE		OPEN	B Contact	Phosphor Bronze C5191 Contact Area:3u" Gold, Solder Area: Tin Plating			F		
			C Switch	Phosphor Bronze C5191, Contact Area:Gold Flash			G		
						H			



RECOMMENDED PCB LAYOUT



NORMAL CLOSE

SPECIFICATION:

1. ELECTRICAL

- 1.1 Current Rating: 1.0A
- 1.2 Voltage Rating: 100V AC/DC
- 1.3 Contact Resistance: 50mΩ
- 1.4 Insulation Resistance: 1000MΩ
- 1.5 Dielectric Withstanding Voltage: 500VDC

2. MECHANICAL

- 2.1 Durability: 10000 Cycle

3. ENVIRONMENTAL

- 3.1 Operating temperature range: -40°C~+85°C
- 3.2 Storage temperature range: -40°C~+85°C

4. SOLDER ABILITY

- 4.1 Recommended IR Reflow Temperature: 260°C

P1	P2	P3	P4	P5	P6	P7	P8	P9	P10	P11	P12
----	----	----	----	----	----	----	----	----	-----	-----	-----

PIN ASSIGNMENT

116B-DBC0-R02	Smart Card Socket, Normal Close DIP Type, Contact Area:3u" Gold
---------------	---

PRODUCT NO.	DESCRIPTION
-------------	-------------

UNLESS OTHERWISE SPECIFIED TOLERANCE

ANGLES	ANG.	±5°
LINEAR	0.	±0.3
	0.0	±0.25
	0.00	±0.20

SCALE AS SHOWN UNIT: mm

DRAWN Willis 2013/09/24

CHECKED Angel 2013/09/24

APPROVED Ken 2013/09/24



www.attend.com.tw

DRAWN NAME: Smart Card Socket, Normal Close DIP Type

PRODUCT NO. 116B-DBC0-R02

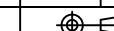
FILE NAME 116B-DBC0-R02_B_1

REV.	DESCRIPTION	DATE	REV.	DESCRIPTION	DATE
1			4		
2			5		
3			6		
4			7		
5			8		
6			9		
7			10		

Revise:

Revise:

Revise:



SIZE A4

REV. 1.0