

Data sheet

Commercial Art.No.: 96.052.4553.6

Connector RST20i5 S1 ZR3SVA TB0

RST20i5 connector, 5 pole, male, screw connection, application 250V with PE, 20A, for cable diameters 14-18mm, coding color turquoise blue, color of housing black



| | |
|--------------------|---------------|
| Commercial Art.No. | 96.052.4553.6 |
| EAN | 4015573877900 |
| Order Unit | 1 |

Certificates / Approvals



LR

RINA



Technical data

General

| | |
|--|----------------------------------|
| Rated current | 20 A |
| Rated voltage | 250 V |
| Rated impulse voltage | 4 kV |
| strain relief | yes |
| Pollution degree | 3 |
| Lockable | self-locking (unlocking by tool) |
| Color of coding/ contact carrier | turquoise blue |
| Marking of poles | D1, D2, L, PE, N |
| Color of housing inclusive strain relief | black |

Connection Data

| | |
|---|----------------------|
| Cable diameter max. | 18 mm |
| Cable diameter min. | 13 mm |
| Connection cross section solid mm ² max. | 4 mm ² |
| Connection cross section solid mm ² min. | 0.75 mm ² |
| Connection cross section solid AWG min. | 18 AWG |
| Connection cross section solid AWG max. | 14 AWG |
| Connection cross section fine stranded mm ² max. | 4 mm ² |
| Connection cross section fine stranded mm ² min. | 0.75 mm ² |
| Terminations per pole | 1 |
| Connection cross section stranded mm ² min. | 0.75 mm ² |
| Connection cross section stranded mm ² max. | 4 mm ² |
| Connection cross section stranded AWG min. | 18 AWG |
| Connection cross section stranded AWG max. | 14 AWG |
| sheath strip length | 37 mm |
| Wire strip length | 8 mm |

Model

| | |
|---------------------------|-----------------------|
| Model | male |
| Connection type | screw connection |
| Degree of protection (IP) | IP66/68 (3m;2h) /IP69 |

Material

| | |
|--|---------------|
| Housing material | Polyamide |
| halogen free | yes |
| Contact material | CuZn |
| Fire load | 0.363 kWh |
| Insulation components continuous temperature | 100 °C |
| Surface finish | Silver-plated |

Dimensions

| | |
|--------|---------|
| Length | 94.6 mm |
| Width | 35.4 mm |
| Height | 35.4 mm |

Classification

| | |
|------------|----------|
| ECLASS 11 | |
| ECLASS 8.1 | 27440605 |
| ETIM 7.0 | EC002560 |
| ETIM 6.0 | EC002560 |
| ETIM 5.0 | EC002560 |
| ETIM 4.0 | EC002560 |

Note

| | |
|------|---|
| Note | RST® terminals with screw clamping allow the connection of conductors without special preparation (without ferrules) according to EN 60999-1. |
|------|---|

Product compliance

| | |
|------------------------------|--------------------|
| ROHS conformity status | Compliant/Exempted |
| ROHS exceptions | III-6(c) |
| REACH-SVHC conformity status | Duty-To-Declare |
| REACH-SVHC substances | Lead |
| REACH-SVHC CAS numbers | 7439-92-1 |

Accessories

| Commercial Art.No.: | Article-type description: | Description: |
|---------------------|-----------------------------|--|
| 05.565.9953.1 | Cover for male connector SW | RST20i5/4 cover piece, for covering unused male connectors, color black |
| 99.532.0000.7 | Cover for male connector SW | RST20i5/4 cover piece, for covering unused male connectors, with fastening belt, color black |

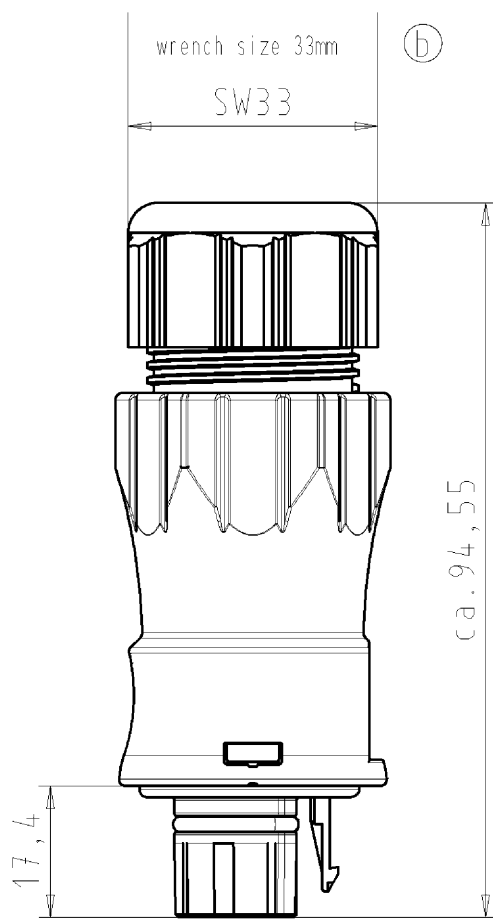
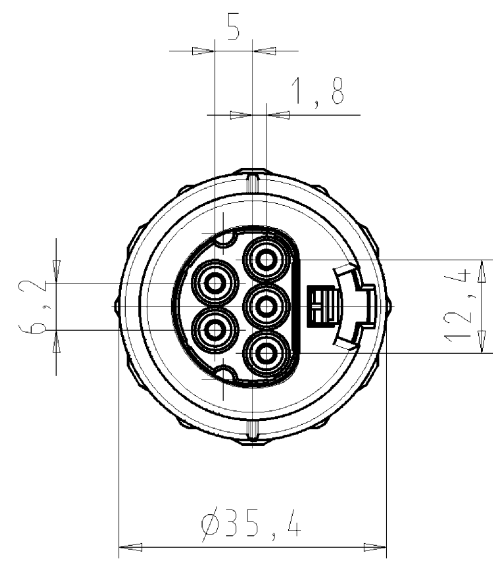
Fits with

| Commercial Art.No.: | Article-type description: | Description: |
|---------------------|---------------------------|--------------|
| | | |

| | | |
|---------------|--|--|
| 96.050.0153.6 | Distributor RST20i5B 3P1 F VGA SW04 | RST20i5 compact distribution unit, 5 pole, application 250V with PE, 20A, 1 input and 3 outputs, with fastening option, coding color turquoise blue, color of housing turquoise blue |
| 96.453.1030.6 | Cable assembly RST20i5KSBS 25 10TB04 | RST20i5 extension cable female - male, 5 pole, assembled with screw connection, application 250V with PE, 20A, cable type H07RN-F, length 1.0m, cross section 2.5mm ² , coding color turquoise blue |
| 96.051.4553.6 | Connector RST20i5S B1 ZR3S A TB0 | RST20i5 connector, 5 pole, female, screw connection, application 250V with PE, 20A, for cable diameters 14-18mm, coding color turquoise blue, color of housing black |
| 96.051.5053.6 | Device connector RST20i5S B1 M01 A TB0 | RST20i5 device connector M25, 5 pole, female, screw connection, application 250V with PE, 20A, coding color turquoise blue |
| 96.051.6153.6 | Device connector RST20i5S B1 M03 A TB0 | RST20i5 device connector M16, 5 pole, female, screw connection, modular, application 250V with PE, 20A, coding color turquoise blue, color of housing black |
| 96.051.6053.6 | Device connector RST20i5S B1 M00 A TB0 | RST20i5 device connector M20, 5 pole, female, screw connection, modular, application 250V with PE, 20A, coding color turquoise blue, color of housing black |
| 96.053.6053.6 | Device connector RST20i5S B1 M90 A TB0 | RST20i5 device connector (90° angled) M20, 5 pole, female, screw connection, modular, application 250V with PE, 20A, coding color turquoise blue, color of housing black |
| 96.053.6253.6 | Device connector RST20i5S B1 M91 A TB0 | RST20i5 device connector (90° angled) M25, 5 pole, female, screw connection, modular, application 250V with PE, 20A, coding color turquoise blue, color of housing black |
| 96.055.6153.6 | Device connector RST20i5S B1 M13 TB | RST20i5 device connector (7° angled) M16, 5 pole, female, screw connection, modular, application 250V with PE, 20A, coding color turquoise blue, color of housing black |

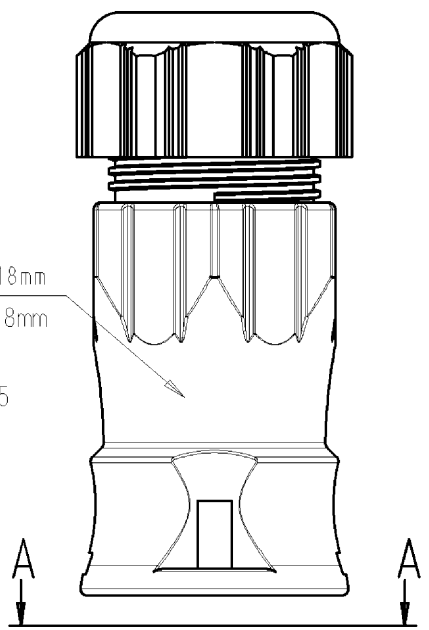
These dimensions will be especially checked at delivery
 Only inspection dimensions
 With /E marked dimensions are only valid for internal use

Diese Maße werden bei Abnahme besonders geprüft
 Ausschließliche Prüfmaße
 Mit /E gekennzeichnete Maße sind nur für interne Zwecke gültig

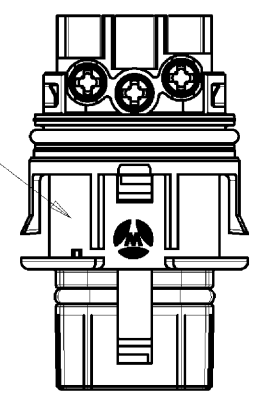


Auslieferungszustand delivery status

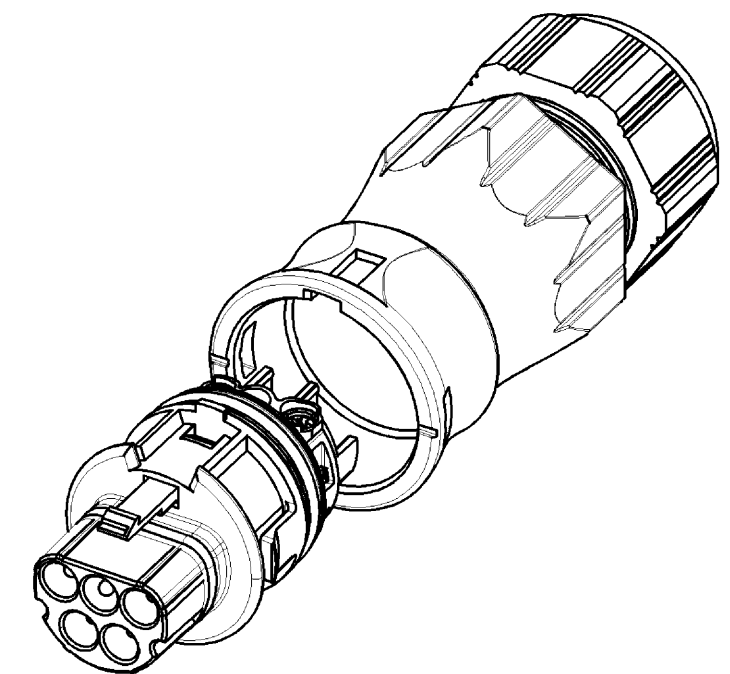
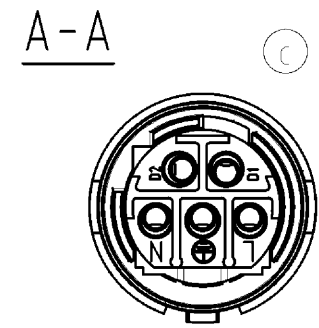
for cable diameter 14-18mm
 für Kabeldurchm. 14-18mm
 color: black,
 similar to RAL 9005
 Farbe: schwarz,
 ähnl. RAL 9005



Z1.007.2853.6
 Farbe: turquoise blue,
 similar to RAL 5018
 Farbe: türkisblau,
 ähnl. RAL 5018



Verpackungseinheit: je 100 Stück
 packaging unit: per 100



Type: RST2015S S1 ZR3SVA TB04

| | | | | | | | |
|--|--|---|--|--|--------------------|--|--|
| Tolerierung nach DIN 7167/Tolerance system acc. to DIN 7167. (This DIN-standard describes the envelope principle. According to the envelope principle the deviations of form and parallelism are limited by the size tolerances). | | | | nein/no <input checked="" type="checkbox"/> Stoffverbots- und Deklarationsliste nach UU-TOM-05/03 ist einzuhalten. Conformity with Wieland document UU-TOM-05/03 (list of prohibited / declarable hazardous substances) to be declared! | | | |
| Freitoleranz nach General tolerance | | CAD - Zeichnung, keine manuellen Änderungen CAD - drawing, no manual modifications allowed | | 1. Verwendung: First Use: - | | Blatt: 1 von 1 Sheet: of | |
| | | Werkstoff/Material | | 2005 gezeichnet drawn | Tag/Date 20.12. | Name Kneitz | |
| | | Maßstab/Scale 1:1 | | geprüft checked | - | Zeichnung Nr./Drawing No. 96.052.4553.6 01K c | |
| | | | | Normgepr. Stand. check | - | Index | |
| c 19.04.2012/ Vol. | | mm ³ Off./Surf. | | mm ³ | | Ersatz für/Replacement for: - | |
| b 21.02.2006/ a 06.02.2006/ | | wieland Elektrische Verbindungen | | Type | | Benennung/Titel STECKERTE IL MIT ZUGENTLASTUNG | |
| Index Datum / Blatt Date / Sheet | | | | male connector with cord grip Drahtschutz/screw-connection without wire protection Kodierung/keying 4 (250V/50V) | | | |
| Änderung/Revision | | | | | | | |

Weitergabe sowie Vervielfältigung dieses Dokuments, Verwertung und Mitteilung seines Inhalts sind verboten, soweit nicht ausdrücklich gestattet.
 The reproduction, distribution and utilization of this document as well as the communication of its contents to others without express authorization is prohibited.

960524553601K_2 CADW2028.hollet.2012-04-19T11:17:19 1.000