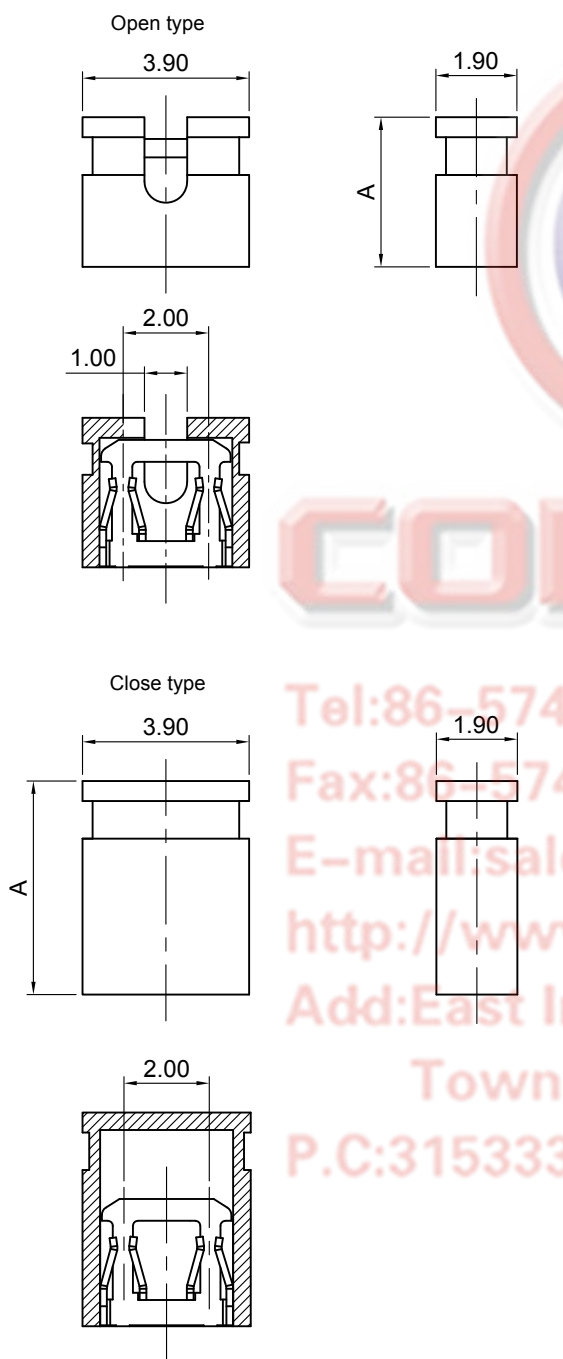


Dept	Qty
DC	1
ED	1
IE	1
ISO	1
PD	1
R&D	1
SD	1
QA	1
QC	1
QF	1

The information provided herein is from CONNFLY Electronic Co., Ltd. and is confidential. Any disclosure to a party other than the recipient is prohibited. The intellectual properties and its rights contained herein, including but not limited to, trademarks, patents, copyrights, trade secrets, and technical know-how, are owned exclusively by CONNFLY or its affiliates. Unauthorised use of this information, in any form or by any means, without the prior written permission of CONNFLY is strictly prohibited. CONNFLY may enforce its intellectual property rights at its own discretion, failures or delays to exercise such rights does not constitute a waiver of such rights.



Tel:86-574-63508787
 Fax:86-574-63510817
 E-mail:sale@connfly.com
 http://www.connfly.com
 Add:East Industry Zone KuangYan
 Town Cixi Ningbo China
 P.C:315333

REV.	DESCRIPTION	DRAWN	CHECKED	APPROVED
A	NEW RELEASE	LL 09/25/06'		LJC 09/25/06'
B	DRAWING UPDATE	JLZ 10/20/16'		

- Notes:
- Specifications:
- Contact Resistance: 30mΩ Max.
 - Insulation Resistance: 500MΩ Min.
 - Dielectric Withstanding Voltage: 250V AC(rms) For 1 Minute.
 - Current Rating:1.5A.
 - Temperature: -40°C~+105°C.
- Materials:
- Contact Material: Copper Alloy.
 - Insulator Material: Thermoplastic.
- Product Number Code:

DS1028 - X X X X X

- Profile height(DIM A):
1:3.5mm
2:5.0mm(For close type)
- Contact plating:
F1: Full gold flash
N: Nickel 2: Gold+Nickel
- Housing color:
B: Black U:Blue Y:Yellow
W: White E:Green R:Red
- Housing type:
A:Open B:Close
- No.of contacts:
2: 2Pin

GENERAL TOLERANCE		ANGLE TOLERANCE		PROJECTION		TITLE	
X.	±0.60	X.	±5°	UNITS	mm	2.00mm Mini Jumper	
.X	±0.38	.X	±3°	SHEET SIZE	A4	SERIES	DS1028 SERIES
.XX	±0.25	.XX	±2°	晨翔电子有限公司 CONNFLY CONNFLY ELECTRONIC CO. LTD			
DRAWING TYPE		CUSTOMER					
SCALE	1:1	SHEET	1 OF 1				
DRAWING NO.		C-DS1028-XXXXX-B					