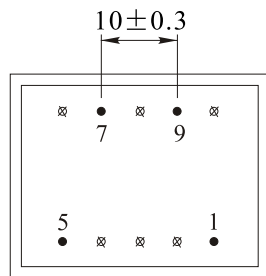
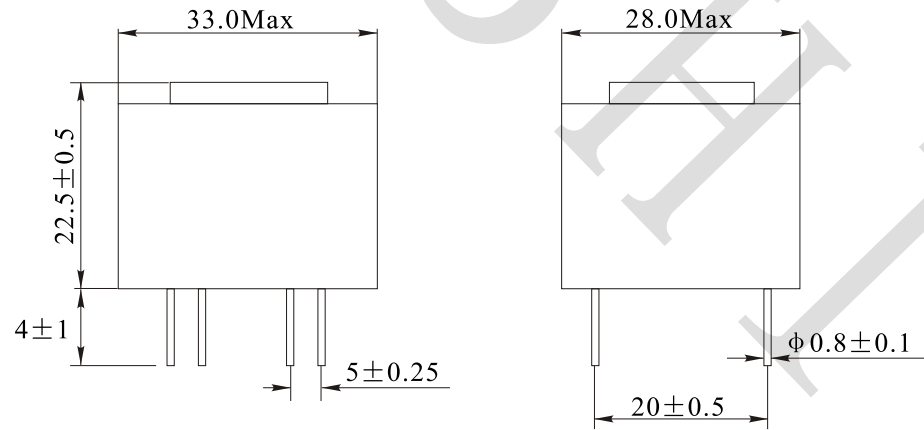


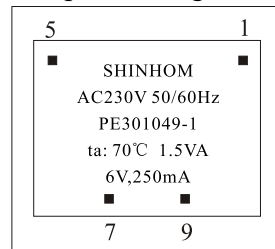
Rev.	Description	Date
A0	New release	2022.05.18

### 1. PHYSICAL CHARACTERISTICS (mm)

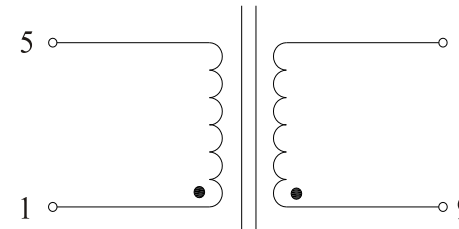


Bottom view

#### Top marking



### 2. ELECTRONICAL SCHEMATIC



### 3. ELECTRONICAL SPECIFICATIONS

- Pri voltage: 230V, 50Hz
- Sec load voltage: 6.0V ± 0.5V @ 250mA
- Noload voltage: 8.3V ± 0.5V
- Output Power: 1.5VA
- Hi-Pot: 4000V, 50Hz, 1mA, 10S Pri to Sec

#### Note:

- Solderability: leads shall meet MIL-STD-202, Method 208D for solderability.
- Flammability: UL94V-0
- ASTM oxygen index: >28%

#### NOTES:

Temp 20°C 48%RH  
RoHS Compliant

NAME:	Potting Transformer		
CUSTOMER P/N:	BV EI 302 2020	DATE:	2022-05-18
SHINHOM P/N:	PE301049-1	REV: A0	PAGE
DRAWN BY	CHECKED BY	APPROVE BY	



**SHINHOM**  
SHAANXISHINHOM ENTERPRISE CO LTD

The Document property belong to SHINHOM & is not allowed to be duplicated without authorization