

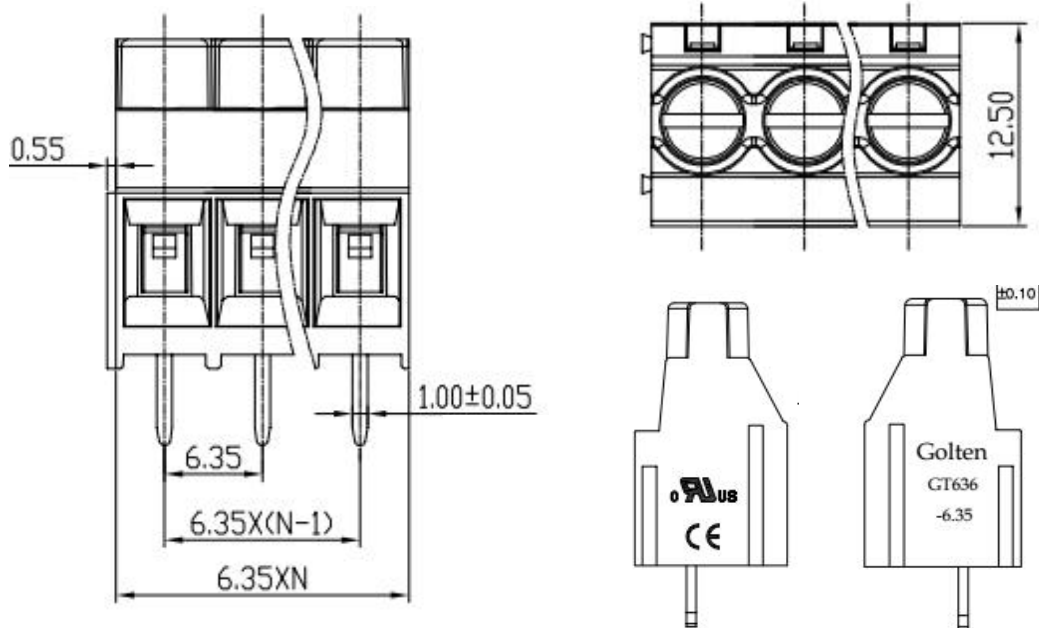
APPROVALS:   RoHS    (submitted)



PART NO.:GT636-6.35

- PCB Screw Terminal Block
- Nominal Current(UL): 30A
- Rated Voltage(UL): 300V
- Number of Positions: 2P,3P-24P
- Standard Color: Green
- Connection Method: Screw Connection

DRAWINGS:



TECHINICAL DATA:

Electrical		
Standard	UL	IEC
Rated voltage	300V	450V
Rated Current	30A	24A
Wire Range	26-10AWG	4.0mm ²
Withstanding voltage	AC2000V/1Min	
Mechanical		
Torque	5.1kgf.cm	
Operation temperature	-40°C~+105°C	
Strip length	8mm	
Dimensions		
Pitch	6.35 mm	
Poles	2P,3P-24P	
Material		
Housing	PA66, UL94V-0	
Screws	M3,steel, Cr ³⁺ Zn plated	
Cage	Brass, Ni plated	
Pin header	Brass, SnCe plated	

APPLICATION:

Elevator, Industry, Security, Instrument, Machinery, Communication, Lighting, Construction, Electrical