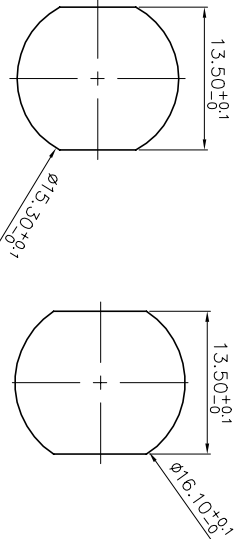
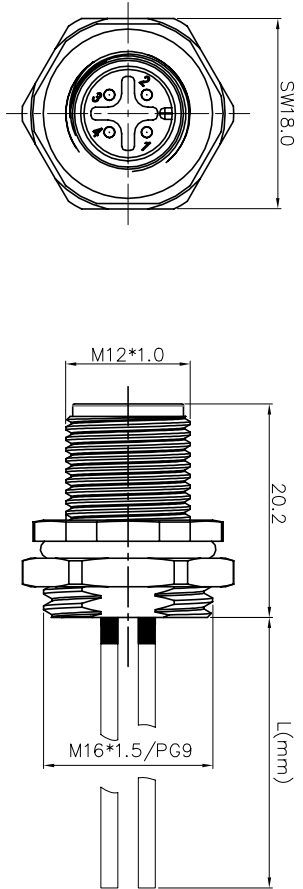
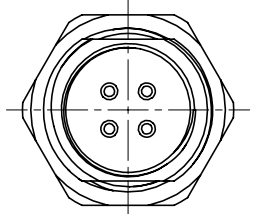


REVISION RECORD			
REV	CN	DESCRIPTION	DATE



Thread specification



- NOTES:
1. Rated voltage/current : 2:3:4pin A:250V/4A
5pin A: 60V/4A
8pin A: 30V/2A
 2. Withstanding voltage: 2:3:4pin: AC1400V/Min
5pin: AC1000V/Min
8pin: AC650V/Min
 3. Levels of protection: IP67
 4. Operating temperature: -40℃~+85℃
 5. Rosh Compliance
 6. Tolerance:
X: ±0.3
.X: ±0.2
.XX: ±0.1

HOW TO ORDER:
M12XXXC-MFH-X-UCXXX

Coding: A,B,D
Pin number: 02,03,04,05,08
Thread specification:
R: M16*1.5
S: PG9
0.5: 0.5M
001: 1M
010: 10M
...
999: 999M

借通用件登记 Common Part	原图号 Old Draw. No.	底图总号 Assembly No.	1	2	3	4	
Front View	2pin A Coding	3pin A Coding	4pin A Coding	5pin A Coding	8pin A Coding	5pin B Coding	4pin D Coding
Front View	3pin A Coding	4pin A Coding	5pin A Coding	8pin A Coding	5pin B Coding	4pin D Coding	Front View
Pin Wire Color	1 Brown	1 Brown	1 Brown	1 Brown	1 White	1 Brown	1 Brown
Pin Out	1	1	1	1	1	1	1
Pin Wire Color	3 Blue	3 Blue	2 White	3 Blue	2 Brown	3 Blue	3 Blue
Pin Out	3	3	2	3	2	3	3
Pin Wire Color	4 Black	4 Black	5 Grey	4 Black	4 Black	4 Black	4 Black
Pin Out	4	4	5	4	4	4	4
Pin Wire Color	5 Grey	5 Grey	6 Pink	5 Grey	5 Grey	5 Grey	5 Grey
Pin Out	5	5	6	5	5	5	5
Pin Wire Color	6 Pink	6 Pink	7 Blue	6 Pink	6 Pink	6 Pink	6 Pink
Pin Out	6	6	7	6	6	6	6
Pin Wire Color	7 Blue	7 Blue	8 Red	7 Blue	7 Blue	7 Blue	7 Blue
Pin Out	7	7	8	7	7	7	7
Pin Wire Color	8 Red	8 Red	9 Grey	8 Red	8 Red	8 Red	8 Red
Pin Out	8	8	9	8	8	8	8

订货号 Order No.	M12XXXC-MFH-X-UCXXX	名称 Name	M12面板式公头XX芯, 板前安装, 带电子线	未注公差 Tolerances	表面 Surface
项目 Item	签字 Signature	图号 Drawing No.	PRM004556	版本号 Revision Number	VD121
设计 Design	日期 Date	材料 Material	-	重量 Weight	/
审核 Check	03/26/24	物料号 Item No.	-	比例 Scale	1:1
工艺 Process	-	物料号 Item No.	-	第1页/共1页 1 of 1	mm
标准化 Standardization	-	SUPU 宁波聚普电子有限公司 NINGBO SUPU ELECTRONICS CO.,LTD.			
批准 Approve	LWL				
03/26/24	6	7	8		

Transmittal, reproduction, dissemination and/or editing of this document as well as utilization of its contents and communication thereof to others without express authorization are prohibited.

未经允许禁止传输、复制、编辑该文档，以及利用其内容进行交流