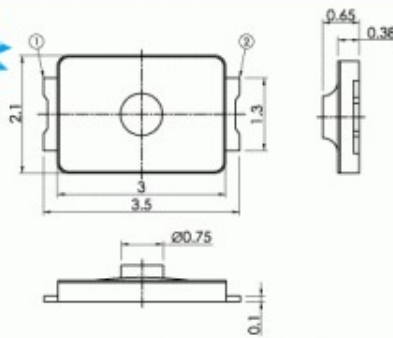


SMD Type Tact Switches

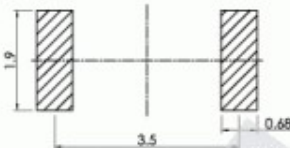
NEW **Tiny**



IT-0235



P.C.B. LAYOUT



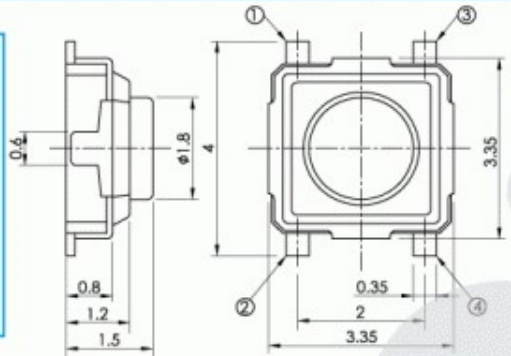
CIRCUIT DIAGRAM



Rating: 50mA 12V DC Max.
 Travel: 0.15±0.05mm.
 Contact resistance: 100mΩ Max.
 Operating force: 200±50g.
 Life: 30,000 Cycles Min.
 Packing: 10,000pcs/reel.



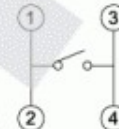
IT-1184



P.C.B. LAYOUT



CIRCUIT DIAGRAM

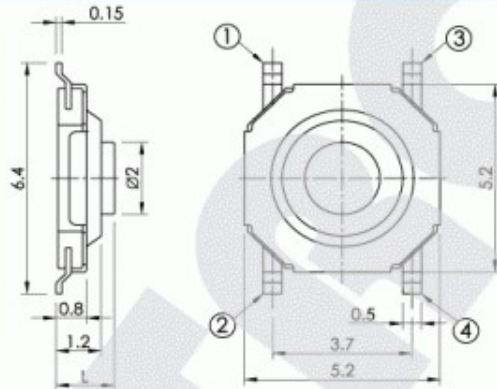


Rating: 50mA 12V DC.
 Travel: 0.2±0.1mm.
 Contact resistance: 100mΩ Max.
 Operating force: 160, 250±50g.
 Life: 100,000 Cycles.
 Packing: 4,000pcs/reel.

IT-1187



IT-1187U



TERMINAL TYPE		STEM / MATERIAL	
<input type="checkbox"/>	GULL WING	<input type="checkbox"/>	W/
<input type="checkbox"/>	U BENT	<input type="checkbox"/>	N
		<input type="checkbox"/>	W/O

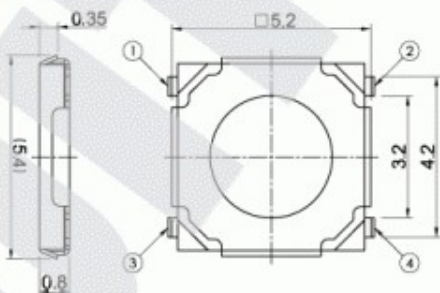
IT-1187XXXX

GROUND COVER		STEM(L) / MATERIAL	
<input type="checkbox"/>	W/O	<input type="checkbox"/>	1.5 / MATERIAL
<input type="checkbox"/>	P	<input type="checkbox"/>	A
		<input type="checkbox"/>	4.3 / MATERIAL
		<input type="checkbox"/>	B
		<input type="checkbox"/>	1.7 / MATERIAL

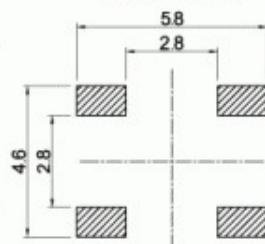
IT-1187N



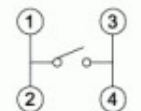
IT-1187UN



P.C.B. LAYOUT



CIRCUIT DIAGRAM



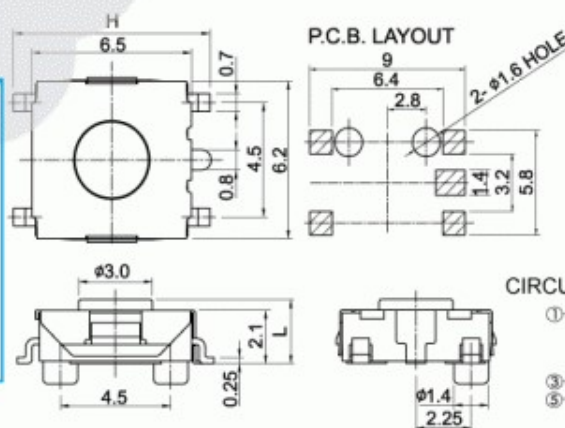
Rating: 50mA 12V DC Max.
 Circuit: SPST.
 Travel: 0.25±0.1mm.
 Contact resistance: 100mΩ Max.
 Operating force: 160, 250±50g.
 Life: 100,000 Cycles Min.
 Packing: 4,000pcs/reel.

NEW

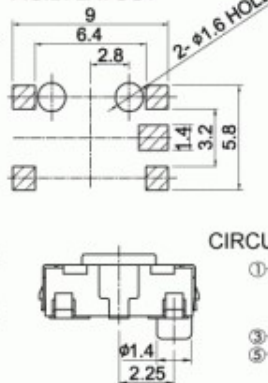
IT-1157



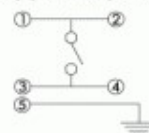
IT-1157U



P.C.B. LAYOUT



CIRCUIT DIAGRAM



TERMINAL TYPE	
<input type="checkbox"/>	GULL WING
<input type="checkbox"/>	U BENT

TER' LENGTH(H)	
A	8
B	10
C	9

STEM HEIGHT(L)	
S	2.5
H	3.1
Q	3.8
C	4.3
K	5.0

IT-1157XXXXX

EMBOSSING CASE		GROUND COVER	
<input type="checkbox"/>	E	<input type="checkbox"/>	P
<input type="checkbox"/>	N	<input type="checkbox"/>	D
		<input type="checkbox"/>	W/
		<input type="checkbox"/>	W/O

Rating: 50mA 12V DC.
 Travel: 0.25±0.1mm.
 Contact resistance: 100mΩ Max.
 Operating force: 160, 250±50g.
 Life: 100,000 Cycles Min.
 Packing: 1157 1,200pcs/reel.
 1157U 1,500pcs/reel.