

## Data sheet

Commercial Art.No.: 91.941.3053.0

Connector GST15i4S B1 ZW1W WS

GST15i4 connector, 4 pole (in 5 pole frame), female, with screw connection (angled), for cable diameters 6-11.5 mm, coding mains 250/400 V, 16 A, coding color white, strain relief color white



Commercial Art.No.	91.941.3053.0
EAN	4015573934559
Order Unit	1

Certificates / Approvals



## Technical data

### General

Rated current	16 A
Rated voltage	250 V / 400 V
Rated impulse voltage	4 kV
strain relief	yes
Pollution degree	2
Mechanical coding	Code 1
Lockable	self-locking (unlocking by tool)
Color of coding/ contact carrier	white
Marking of poles	2, 1, PE, N
Color of housing inclusive strain relief	white

### Connection Data

Cable diameter max.	11.5 mm
Cable diameter min.	6 mm
Connection cross section solid mm <sup>2</sup> max.	2.5 mm <sup>2</sup>
Connection cross section solid mm <sup>2</sup> min.	0.5 mm <sup>2</sup>
Connection cross section fine stranded mm <sup>2</sup> max.	2.5 mm <sup>2</sup>
Connection cross section fine stranded mm <sup>2</sup> min.	0.5 mm <sup>2</sup>
Terminations per pole	1
sheath strip length	32 mm
Wire strip length	8 mm

### Model

Model	female
Connection type	screw connection
Degree of protection (IP)	IP20

### Material

Housing material	Polyamide
halogen free	yes
Contact material	CuZn
Fire load	0.108 kWh
Insulation components continuous temperature	100 °C
Surface finish	Silver-plated

**Dimensions**

Length	63 mm
Width	32.6 mm
Height	15 mm

**Classification**

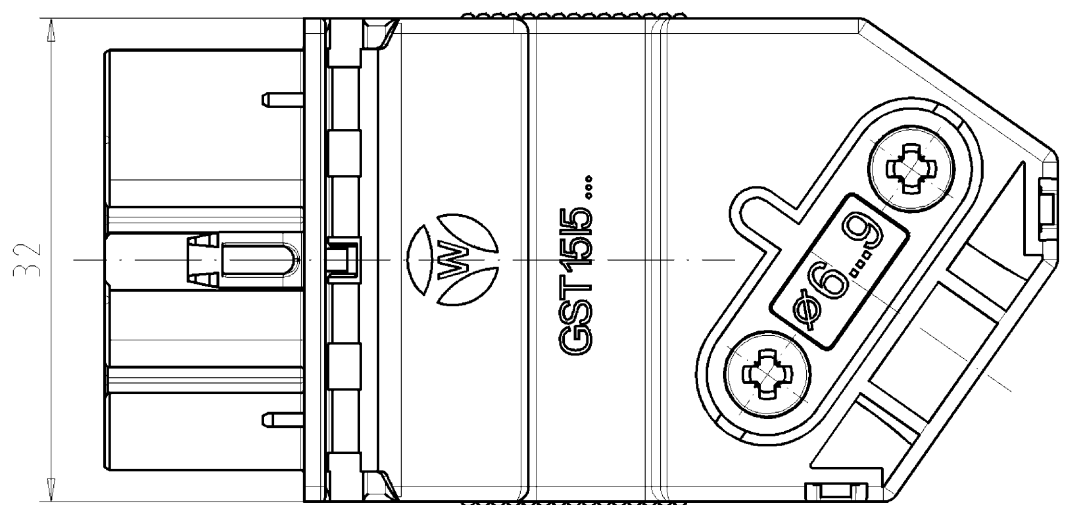
ECLASS 11	
ECLASS 8.1	27440605
ETIM 7.0	EC002560
ETIM 6.0	EC002560
ETIM 5.0	EC002560
ETIM 4.0	EC002560

**Product compliance**

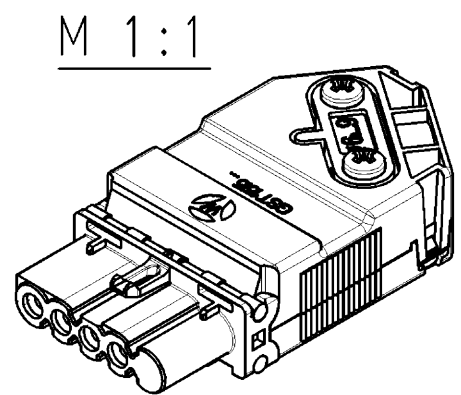
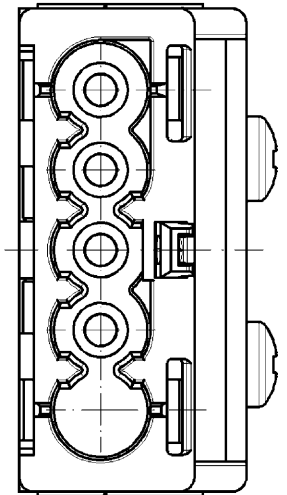
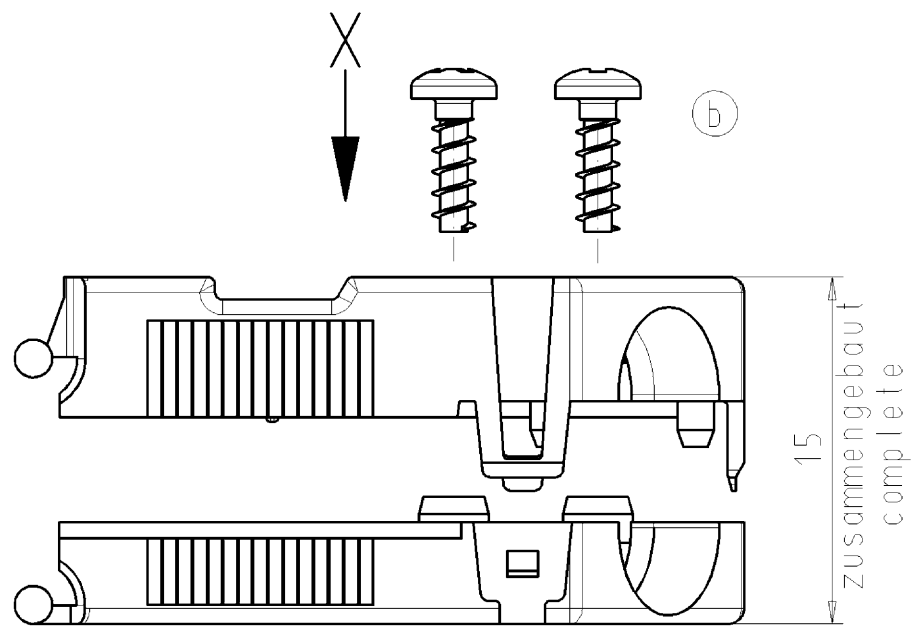
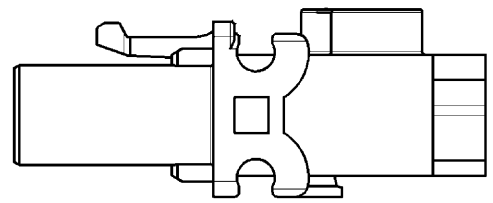
ROHS conformity status	Compliant/Exempted
ROHS exceptions	III-6(c)
REACH-SVHC conformity status	Duty-To-Declare
REACH-SVHC substances	Lead
REACH-SVHC CAS numbers	7439-92-1

These dimensions will be especially checked at delivery  
 Only inspection dimensions  
 With /E marked dimensions are only valid for internal use

Diese Maße werden bei Abnahme besonders geprüft  
 Ausschließlich Prüfmaße  
 Mit /E gekennzeichnete Maße sind nur für interne Zwecke gültig



Ansicht / view X



Teile-Nr.:	Farbe
91.941.3053.0	weiß
91.941.3053.1	schwarz

Tolerierung nach DIN 7167/Tolerance system acc. to DIN 7167. (This DIN-standard describes the envelope principle. According to the envelope principle the deviations of form and parallelism are limited by the size tolerances).		ja/yes <input checked="" type="checkbox"/> Stoffverbots- und Deklarationsliste nach UU-TQM-05/03 ist einzuhalten. Conformity with Wieland document UU-TQM-05/03 (list of prohibited / declarable hazardous substances) to be declared!	
Freitoleranz nach General tolerance		CAD - Zeichnung, keine manuellen Änderungen CAD - drawing, no manual modifications allowed	1. Verwendung: - First Use:
		Blatt: 1 von 1 Sheet: of 1	
		Zeichnung Nr./Drawing No. Index	
		T 91.941.3053.0 01K b	
		Maße in mm/Dimensions are in mm	
		Ersatz für/Replacement for: -	
		Type Benennung/Title	
		BUCHSENT_M_ZUGENTL	
		socket connector with strain relief	
		GST1514SB1 ZR1 ..	
Änderung/Revision			
b	03.12.2010/		
a	26.11.2009/		
Index	Datum / Blatt Date / Sheet		

Weitergabe sowie Vervielfältigung dieses Dokuments, Verwertung und Mitteilung seines Inhalts sind verboten, soweit nicht ausdrücklich gestattet.  
 The reproduction, distribution and utilization of this document as well as the communication of its contents to others without express authorization is prohibited.

919413053001K\_4\_CADW2037\_Dualsch 2010-12-03T11:40:13 1.000