

Data sheet

Commercial Art.No.: 76.372.0736.1

Hood MIN GOT GC 7 M20 25 Z1

Hood revos MINI made of zinc, with EHV for cable connections with threaded hole M20, low version



Commercial Art.No.	76.372.0736.1
EAN	4015573651111
Order Unit	10

Technical data

General

Housing material	Die-cast zinc
Color	Grey
Surface	With powder coating
Degree of protection (IP)	Other
UV resistant	yes
Inflammability class of insulation material acc. with UL94	Other
Operating temperature range min.	-40 °C
Operating temperature range max.	120 °C

Model

Construction	3
Locking mechanism	Single locking lever
Cable entry	Above
Type of cable	Thread
With cable screw gland	No
Thread size M	20
Thread size PG	
Hinged lid	No
EMC-version	No
Length	26.8 mm
Width	36.5 mm
Height	53.5 mm

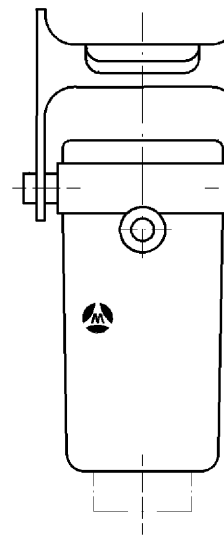
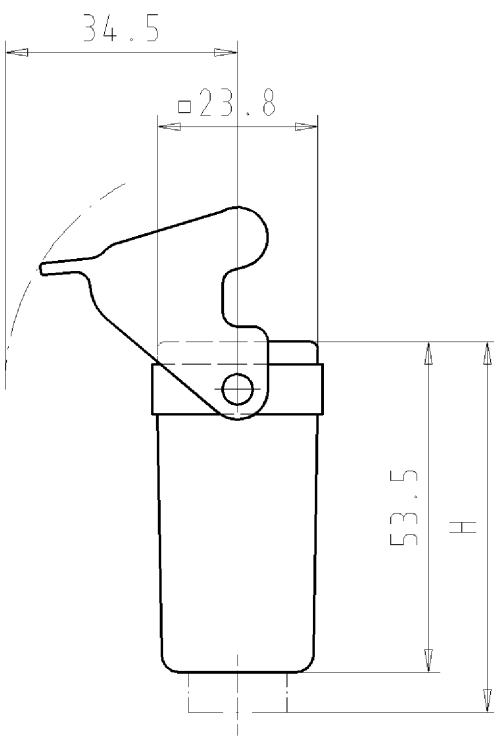
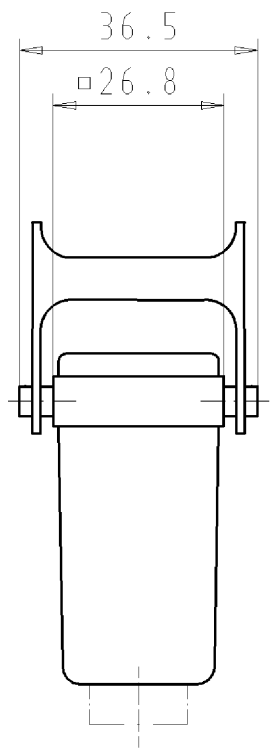
Classification

ECLASS 11	
-----------	--

ECLASS 8.1	27440202
ETIM 7.0	EC000437
ETIM 6.0	EC000437
ETIM 5.0	EC000437
ETIM 4.0	EC000437
ETIM 3.0	EC000437

Fits with

Commercial Art.No.:	Article-type description:	Description:
73.300.0353.0	Female insert MIN BUS 3 2,5 40	Female insert revos MINI, 3-poles, rated current: 10A, rated voltage: 250/400 V, with tin-plated contacts
73.310.0353.0	Male insert MIN STS 3 2,5 40	Male insert revos MINI, 3-poles, rated current: 10 A, rated voltage: 250/400 V, with tin-plated contacts
73.300.0453.0	Female insert MIN BUS 4 2,5 25 AG	Female insert revos MiNI, 4-poles, rated current: 10A, rated voltage: 400V, with silver-plated contacts
73.310.0453.0	Male insert MIN STS 4 2,5 25 AG	Male insert revos MiNI, 4-poles, rated current: 10A, rated voltage: 400V, with silver-plated contacts
73.700.0753.0	Female insert MIN BUC 7 25	Female insert revos MINI, 7-poles, crimp connection, rated current: 10A, rated voltage: 400V, with silver-plated contacts
73.710.0753.0	Male insert MIN STC 7 25	Male insert revos MiNI, 7-poles, crimp connection, rated current: 10A, rated voltage: 400V, with silver-plated contacts
73.700.0853.0	Female insert MIN BUC 8 05	Female insert revos MiNI, 8-poles, crimp connection, rated current: 10A, rated voltage: 50V, with silver-plated contacts
73.710.0853.0	Male insert MIN STC 8 05	revos MINI 8 pole, male insert, 50V/10A, crimp connection
73.700.1253.0	Female insert MIN BUC 12 40 AG	revos MINI Q12, 12-pole + ground, female insert, IEC 690V/10A, UL 600V/10A, crimp connection
73.710.1253.0	Male insert MIN STC 12 40 AG	revos MINI Q12, 12-pole + ground, male insert, IEC 690V/10A, UL 600V/10A, crimp connection
73.700.0553.0	Female insert MIN BUC 5 25 AG	Female insert revos MiNI, 5-poles, crimp connection, rated current: 16 A, rated voltage: 400V, with silver-plated contacts
73.710.0553.0	Male insert MIN STC 5 25 AG	Male insert revos MiNI, 5-poles, crimp connection, rated current: 16 A, rated voltage: 400V, with silver-plated contacts



These dimensions will be especially checked at delivery
 Only inspection dimensions
 With /E marked dimensions are only valid for internal use

Diese Maße werden bei Abnahme besonders geprüft
 Ausschließlich Prüfmaße
 Mit /E gekennzeichnete Maße sind nur für interne Zwecke gültig

Weitergabe sowie Vervielfältigung dieses Dokuments, Verwertung und Mitteilung seines Inhaltes sind verboten, soweit nicht ausdrücklich gestattet. Die Reproduktion, Distribution und Utilization of this document as well as the communication of its contents to others without express authorization is prohibited.

76.372.0736.0 mit Verschraubung M20
 with screw connection M20

76.372.0736.1 mit Gewinde M20
 with thread M20

Weitere Daten siehe Katalog
 further data see catalog

Teile - Nr. part number	H	Typ type
76.372.0736.0	60	MIN GOT GC 7 M20 25 Z0
76.372.0736.1	--	MIN GOT GC 7 M20 25 Z1

Tolerierung nach DIN 7167/Tolerance system acc. to DIN 7167. (This DIN-standard describes the envelope principle. According to the envelope principle the deviations of form and parallelism are limited by the size tolerances). ja/yes Stoffverbots- und Deklarationsliste nach UU-TQM-05/03 ist einzuhalten. Conformity with Wieland document UU-TQM-05/03 (list of prohibited / declarable hazardous substances) to be declared!

Freitoleranz nach General tolerance CAD - Zeichnung, keine manuellen Änderungen CAD - drawing, no manual modifications allowed 1. Verwendung: First Use: Blatt: 1 von 1 Sheet: 1 of 1

Werkstoff/Material Zinkdruckguß die cast zinc alloy	2008 gezeichnet drawn 10.04. geprüft checked Normgepr. Stand, check	Tag/Date Name Schmitt J.	Zeichnung Nr./Drawing No. 76.372.0736.0 01K	Index
Maßstab/Scale %	Vol. mm³	Ofl./Surf. mm²	Ersatz für/Replacement for: -	
wieland Elektrische Verbindungen		Type	Benennung/Tittle GEHAEUSE_UBERTEIL 7-polig M20 von oben Hood with locking lever 7-pole M20 TOP SIDE	
Index	Datum / Blatt Date / Sheet	Änderung/Revision		

763720736001K_4 CADW1042 Schmitt 2008-04-11T11:15:38 1.000