

## Data sheet

Commercial Art.No.: 96.233.3004.1

Cable assembly RST20i3K1-S 25P 30SW

RST20i3 connection cable male - free end, 3 pole, assembled with shrinkage tube, application 250V with PE, 20A, cable type H05VV-F, length 3.0m, cross section 2.5mm<sup>2</sup>, coding color black



Commercial Art.No.	96.233.3004.1
EAN	4015573760486
Order Unit	1

Certificates / Approvals



## Technical data

### General

Rated current	20 A
Rated voltage	250 V
Rated impulse voltage	4 kV
Pollution degree	3
Lockable	self-locking (unlocking by tool)
Color of coding/ contact carrier	black
Marking of poles	L, N, PE
Color of housing inclusive strain relief	black

### Model

type of construction	Shrinkage tube
Connection type	Crimp
Nominal cross section conductor	2.5 mm <sup>2</sup>
Degree of protection (IP)	IP66/68 (3m;2h)
Wire strip length	9 mm
sheath strip length	35 mm
Preparation of conductor ends	ultrasonically compressed wire ends
Cable type	H05VV-F
Cable color	black
Cable diameter min.	9.7 mm
Cable diameter max.	10.1 mm
Version of cable	male - free end
Type of cord set	connection cable

Version cable end 1	free end
Version cable end 2	male
Shielded	No

**Material**

Surface finish	Silver-plated
halogen free	No
Continuous temperature of cable	70 °C
Insulation components continuous temperature	100 °C
Fire load	1.8 kWh
Fire class	Eca

**Dimensions**

Total length	3 m
--------------	-----

**Classification**

ECLASS 11	
ECLASS 8.1	27440604
ETIM 7.0	EC002587
ETIM 6.0	EC002587
ETIM 5.0	EC002587
ETIM 4.0	EC002587

**Note**

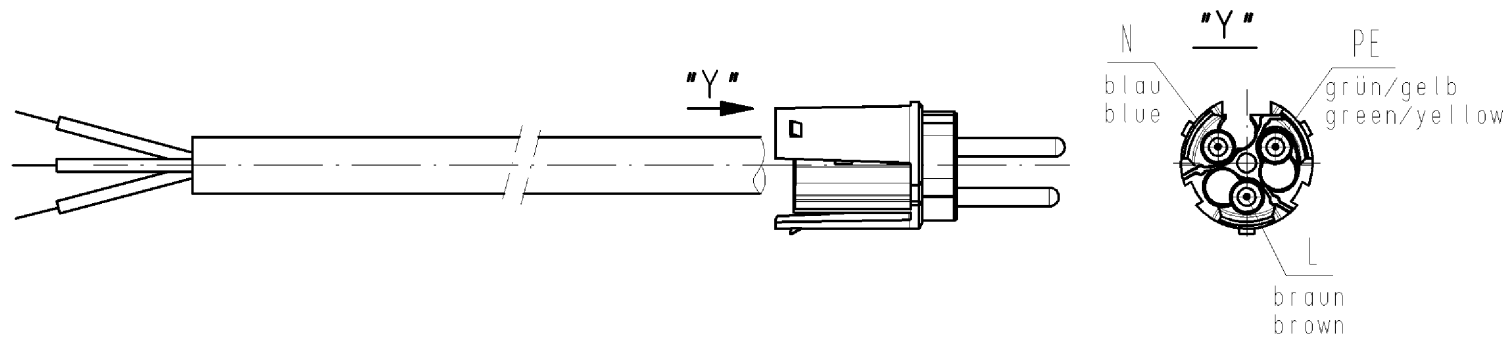
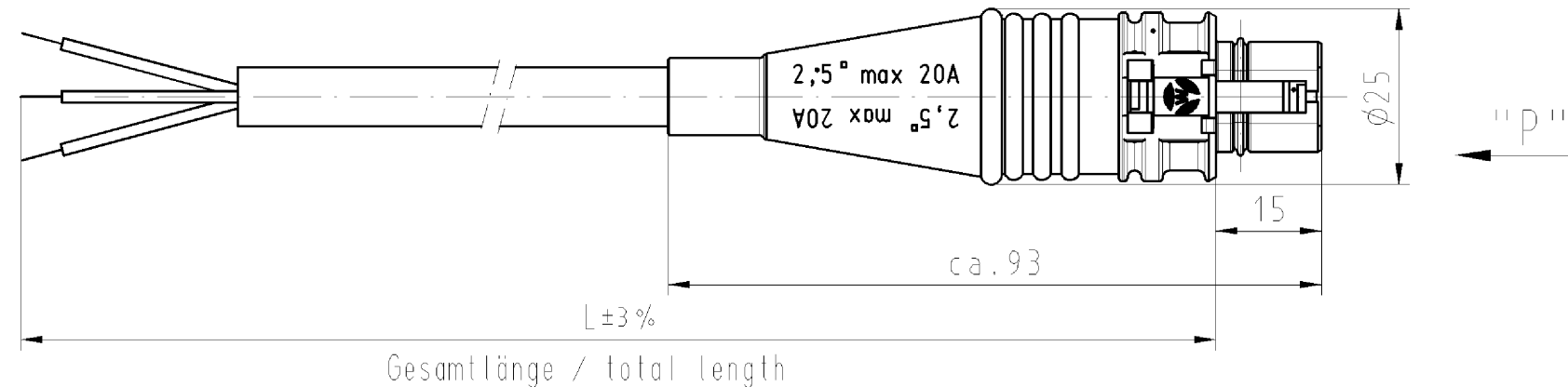
Note	The total length may vary up to + / - 3 %.
------	--


**Product compliance**

ROHS conformity status	Compliant/Exempted
ROHS exceptions	III-6(c)
REACH-SVHC conformity status	Duty-To-Declare
REACH-SVHC substances	Lead
REACH-SVHC CAS numbers	7439-92-1

These dimensions will be especially checked at delivery  
Only inspection dimensions  
With /E marked dimensions are only valid for internal use

Diese Maße werden bei Abnahme besonders geprüft  
Ausschließlich Prüfmaße  
Mit /E gekennzeichnete Maße sind nur für interne Zwecke gültig



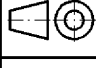

.F	Farbe colour	Codierung "p"
.0	lichtgrau light grey	PE 
.1	schwarz black	

Weitergabe sowie Vervielfältigung dieses Dokuments, Verstoß und Mitteilungs seines Inhalts sind verboten, soweit nicht ausdrücklich gestattet. Die reproduction, distribution and utilization of this document as well as the communication of its contents to others without express authorization is prohibited.

Weitere Daten siehe Katalog  
further data see catalog

Typ/type: RST2013K1-S 25P .. GL = lichtgrau/light grey  
SW = schwarz/black

Teile - Nr. part - no.	L	Beispiel (Farbe: schwarz) exampel (colour: black)	Typ type
96.233.XX04.F	XX in dm-Schritten	96.233.1004.1 = 10dm/L= 1000mm	RST2013K1-S 25P 10SW
U6.233.XX04.F	XX in m-Schritten	U6.233.1204.1 = 12 m/L=12000mm	RST2013K1-S 25P X12SW

Tolerierung nach DIN 7167/Tolerance system acc. to DIN 7167. (This DIN-standard describes the envelope principle. According to the envelope principle the deviations of form and parallelism are limited by the size tolerances).		ja/yes <input checked="" type="checkbox"/> Stoffverbots- und Deklarationsliste nach UU-TQM-05/03 ist einzuhalten. Conformity with Wieland document UU-TQM-05/03 (list of prohibited / declarable hazardous substances) to be declared!	
Freitoleranz nach General tolerance		CAD - Zeichnung, keine manuellen Änderungen CAD - drawing, no manual modifications allowed	1. Verwendung: - First Use:
Blatt: 1 von 1 Sheet: of 1		Zeichnung Nr./Drawing No. Index	
/ 		Werkstoff/Material	
/ 		2006 Tag/Date Name	
/ %		gezeichnet/drawn 28.03. Schmitt J.	
/ Vol. mm <sup>3</sup> Öl./Surf. mm <sup>2</sup>		geprüft/checked - -	
/		Nähergepr. Stand. check - -	
/		Ersatz für/Replacement for: -	
/		Type Benennung/Title	
/		Type Benennung/Title	
Index Datum / Blatt Date / Sheet		wieland	
Änderung/Revision		Elektische Verbindungen	
		KONFEKT_LEITUNG	
		Stecker-freies Ende / male-free end pre-assembled cable	

962330404001K\_4\_CADW1042\_Schmitt 2006-03-30T14:16:09 1.000