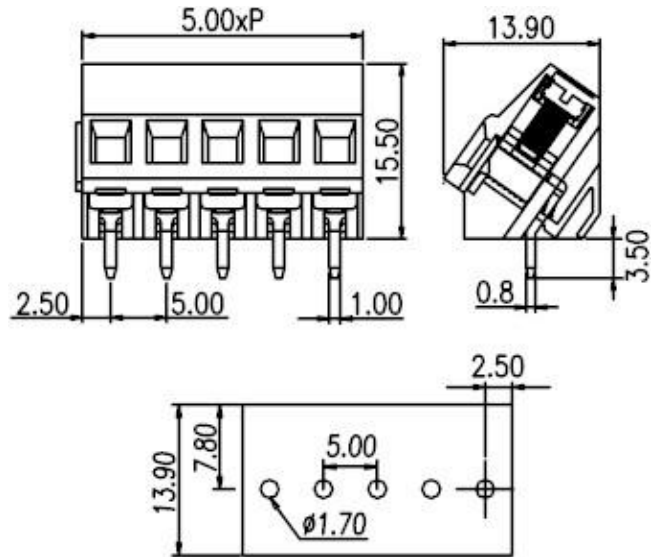





European P.C.B. type terminal blocks / EK series



EK500A



Pitch: 5.00mm

| | | |
|---|---|------|
| Approval |    | |
| Technical Data | UL | IEC |
| Rated voltage | 300V | 250V |
| Rated current | 20A | 10A |
| Conductor cross-section, solid (AWG/ mm ²) | 24~12 / 0.14~1.5 | |
| Conductor cross-section, flexible (AWG/ mm ²) | 24~12 / 0.14~1.5 | |
| Rated surge voltage (UL/IEC/Max.) | 1.6 / 2 / 3 KV | |
| Torque (N-m) | 0.50 | |
| Screw | M2.5 | |
| Wire strip length | 6mm | |
| Pole | Cat. No. | |
| 02 | EK500A-02P | |
| : | : | |
| : | : | |
| 24 | EK500A-24P | |

TEL: +886-2-2908-0614

FAX: +886-2-2908-8549

E-mail: info@dinkle.com.tw