

## D-SUB Series

### KLS1-215 D-Sub Connector (DR 2 Row Right Angle 8.1mm Type)

**Material:**

Housing: PBT+30% Glass Fiber (UL94V-0)

Contacts: Brass or Phosphor Bronze

Shell: Steel, 100u" Tin Over 50u" min Nickel

Clinch Nut: Brass, 100u" min Nickel Plated

Screwlock: Brass, 100u" min Nickel Plated

**Electrical Characteristics:**

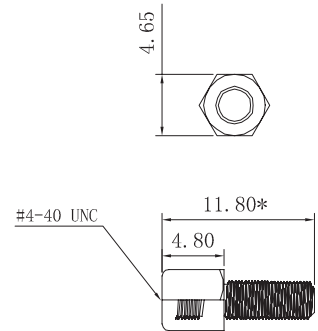
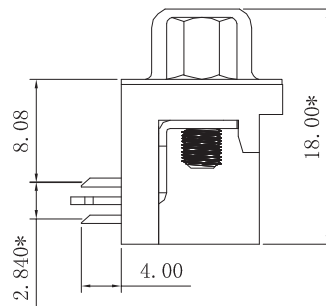
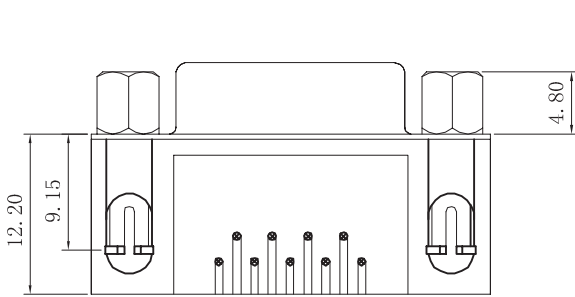
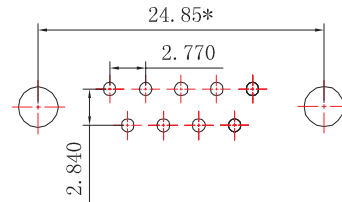
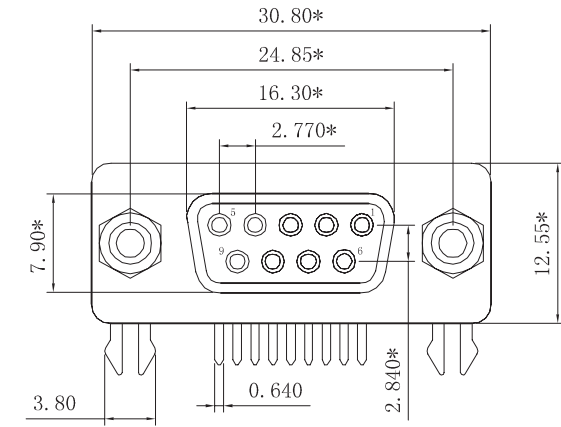
Current Rating: 3 AMP / 5AMP

Withstanding Voltage: AC 500V for 1 Minute.

Insulator Resistance: 1000M ohms min. at DC 500V

Contact Resistance: 20M ohms max.

Operating Temperature: -40°C~+105°C



## ORDER INFORMATION

Product NO.: KLS1-215-XX-F-L

