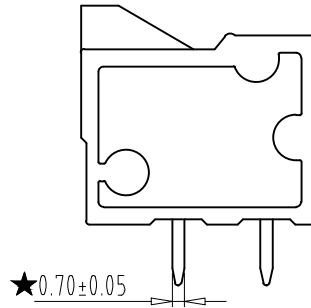
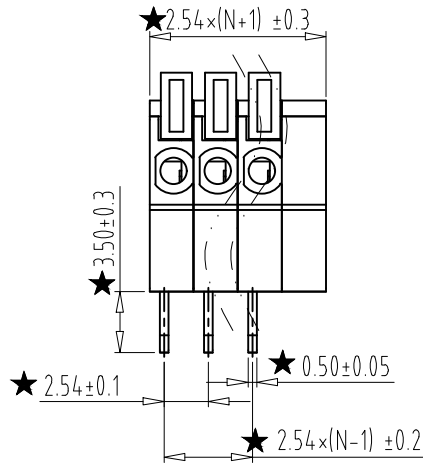
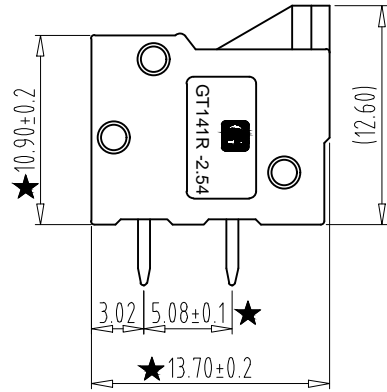
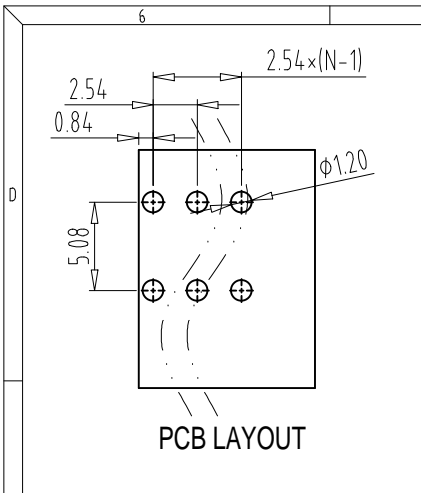


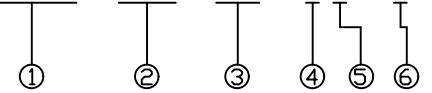
REV	CONTENT	CHK	DATE
V0.0	CONTENT	LZW	24.03.11



Electrical :

- |   |               |                        |
|---|---------------|------------------------|
|   | UL            | IEC                    |
| 1. Rated Voltage :                      | 150V          | 130V                   |
| 2. Rated Current :                      | 2A            | 6A                     |
| 3. Wire Range:                          | 24-20AWG      | 0.2-1.0mm <sup>2</sup> |
| 4. Stripping Length :                   | 11mm          |                        |
| 5. Withstanding Voltage :               | AC1250V/1Min. |                        |
| 6. Operating Temperature :              | -40°C~+105°C  |                        |
| 7. RoHS Compliance                      |               |                        |
| 8. "★" is the key quality control point |               |                        |

GT141R - 2.54 - XXP - X X - 00



- ① Series NO.    ④ 1 Single Pitch  
                    2 Double Pitch
- ② Pitch             ⑤ Color: 1 Grey  
                           2 Blue  
                           3 Black  
                           4 Green  
                           5 Orange  
                           6 Red  
                           7 Transparent  
                           8 Yellow  
                           9 White
- ③ Poles  
    02 02Contacts  
    03 03Contacts  
    ...  
    24 24Contacts

⑥ Customer Request: 00--Standard

5	PIN	XXXXXX	P	COPPER ALLOY	Tin Plated
4	Spring	XXXXXX	P	Stainless steel	SEE NOTE
3	BUTTON	XXXXXX	P	PA66 UL94V-0	SEE NOTE
2	COVER	XXXXXX	1	PA66 UL94V-0	SEE NOTE
1	HOUSING	XXXXXX	P	PA66 UL94V-0	SEE NOTE
ITEM	NAME OF PART	NO. OF PART	Q'TY	MATERIAL	NOTE
DWG.	LZW	DATE	24.03.11	SIZE	A4 UNITS mm SHEET/OF 1 / 1
CHK.	DATE			SCALE	1:1
APP.	DATE			NAME	GT141R-2.54-XXP-XX-00
				DWGNO.	XXXX

**Golten** 宁波冠泰电子有限公司  
 NINGBO GOLTEN ELECTRONICS CO., LTD.

Total Pitch Tolerances in mm									Nominal dimension range in mm											⊥	=	-	//					
over	over	over	over	over	over	over	over	over	over	over	over	over	over	over	over	over	over	over	over	over	over	over	over	over	over	over	over	over
0	30	53	70	90	115	150	250	350	0	30	53	70	90	115	150	200	250	320	10	0	100	150	10	all	0	100	150	
to	to	to	to	to	to	to	to	to	to	to	to	to	to	to	to	to	to	to	to	to	to	to	to	to	to	to	to	
30	53	70	90	115	150	250	350	500	30	53	70	90	115	150	200	250	320	10	10	100	150	10	all	0	100	150		
±0.18	±0.20	±0.25	±0.3	±0.35	±0.44	±0.60	±0.70	±0.85	±0.20	±0.25	±0.30	±0.35	±0.44	±0.55	±0.70	±0.80	±0.90	0.2	0.3	0.3	0.2	0.3	0.5					