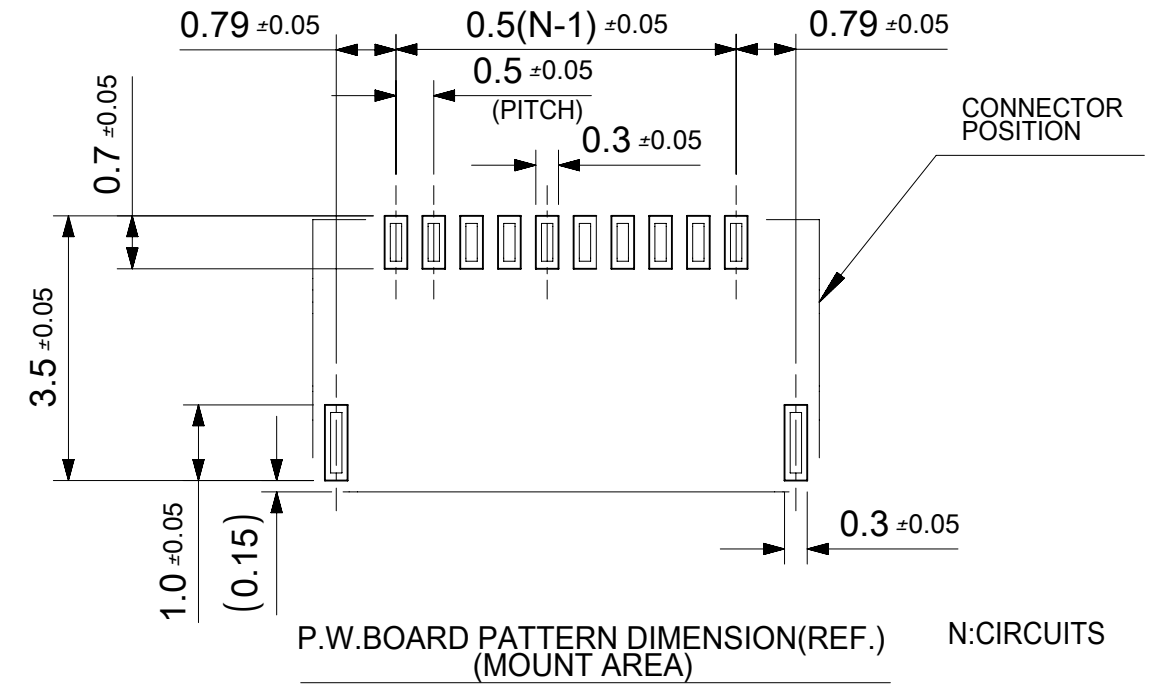
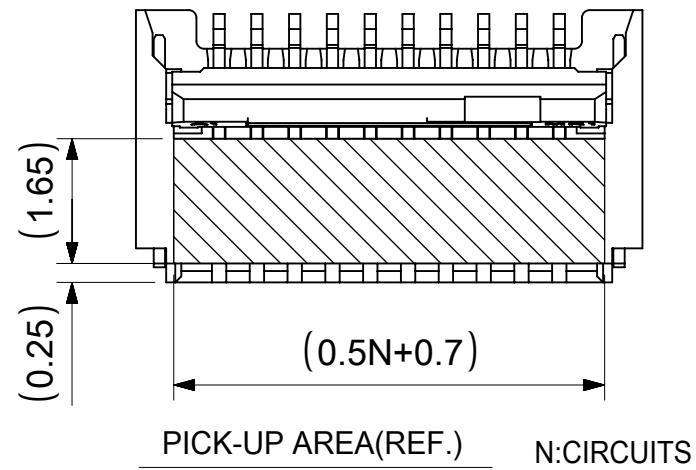
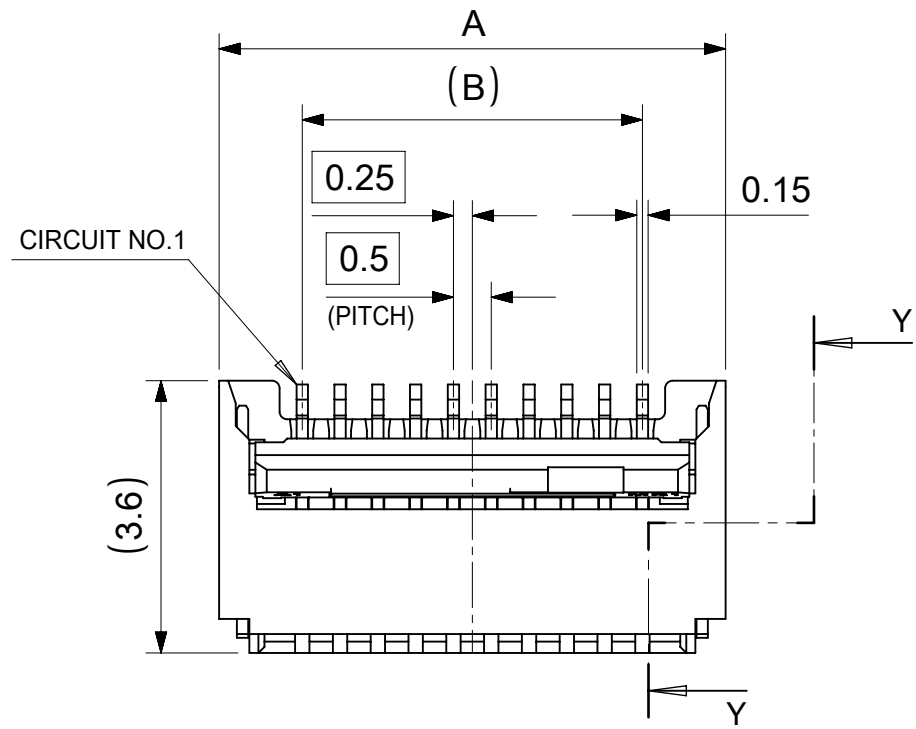
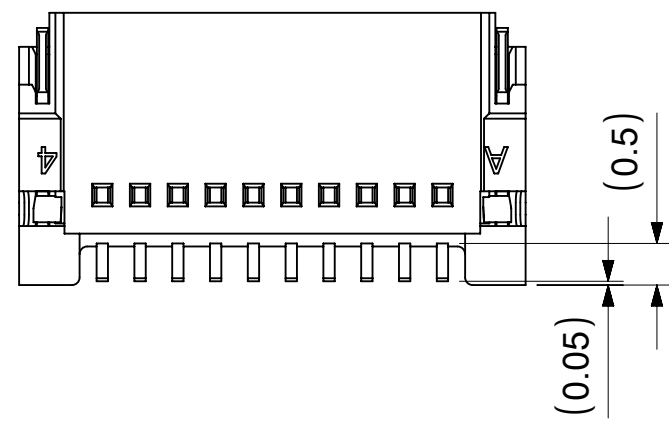
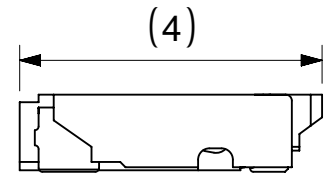
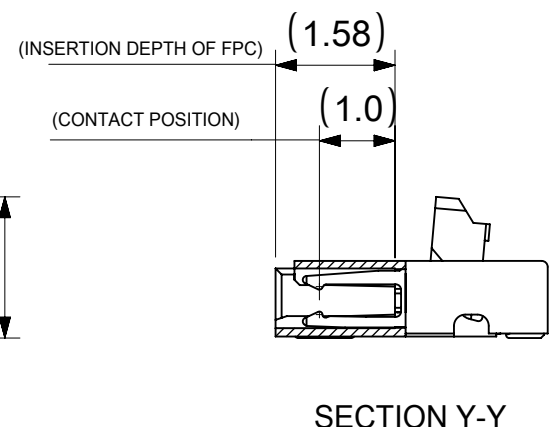
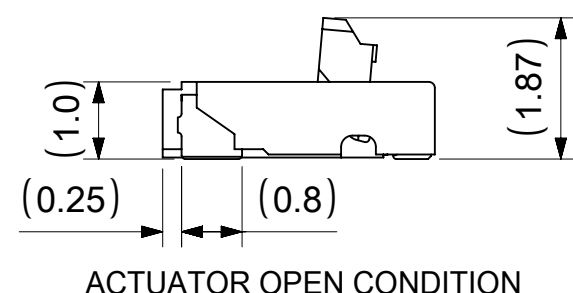
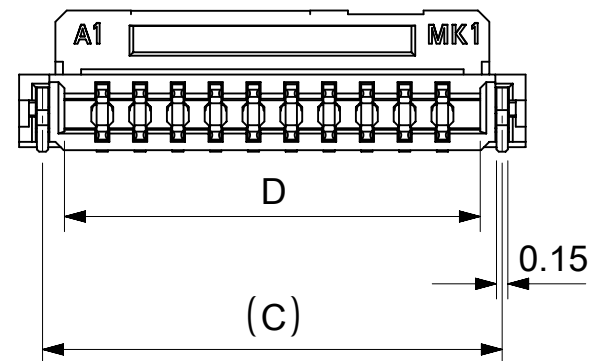


CIRCUIT NO.1



METAL MASK THICKNESS : 0.1mm
 OPENING AREA : TERM.(0.7X0.3)
 NAIL(1.0X0.3)



20.5	21.08	19.5	21.7	503480-4000	40
19.5	20.08	18.5	20.7	503480-3800	38
18.5	19.08	17.5	19.7	503480-3600	36
17.5	18.08	16.5	18.7	503480-3400	34
16.5	17.08	15.5	17.7	503480-3200	32
15.5	16.08	14.5	16.7	503480-3000	30
14.5	15.08	13.5	15.7	503480-2800	28
13.5	14.08	12.5	14.7	503480-2600	26
12.5	13.08	11.5	13.7	503480-2400	24
11.5	12.08	10.5	12.7	503480-2200	22
10.5	11.08	9.5	11.7	503480-2000	20
9.5	10.08	8.5	10.7	503480-1800	18
9.0	9.58	8.0	10.2	503480-1700	17
8.5	9.08	7.5	9.7	503480-1600	16
7.5	8.08	6.5	8.7	503480-1400	14
6.5	7.08	5.5	7.7	503480-1200	12
5.5	6.08	4.5	6.7	503480-1000	10
4.5	5.08	3.5	5.7	503480-0800	8
3.5	4.08	2.5	4.7	503480-0600	6
3.0	3.58	2.0	4.2	503480-0500	5
2.5	3.08	1.5	3.7	503480-0400	4
D	C	B	A	EMBOSSED PACKAGE ORDER NO.	CIRCUIT

CONNECTOR SERIES No. 503480-**09

SYMBOLS DIMENSION UNITS SCALE mm 10:1 GENERAL TOLERANCES (UNLESS SPECIFIED) ANGULAR TOL ± 1.0° 4 PLACES ± 3 PLACES ± 0.2 2 PLACES ± 0.25 1 PLACE ± 0.3 0 PLACES ± DRAFT WHERE APPLICABLE MUST REMAIN WITHIN DIMENSIONS	THIS DRAWING CONTAINS INFORMATION THAT IS PROPRIETARY TO MOLEX ELECTRONIC TECHNOLOGIES, LLC AND SHOULD NOT BE USED WITHOUT WRITTEN PERMISSION CURRENT REV DESC:				
	EC NO: 637378 DRWN: YRKIM 2019/10/01 CHK'D: SHCHU 2020/05/12 APPR: SHCHU 2020/06/04				0.5 FPC CONN. E/O BACKFLIP H=1.0MM ASSEMBLY
INITIAL REVISION: DRWN: THIRAYAMA 2009/12/11 APPR: KMORIKAWA 2009/12/14		PRODUCT CUSTOMER DRAWING		DOCUMENT NUMBER SD-503480-001	
THIRD ANGLE PROJECTION 		DRAWING A3-SIZE		DOC TYPE DOC PART REVISION PSD 001 H1	
MATERIAL NUMBER SEE CHART		SERIES 503480		CUSTOMER GENERAL MARKET	
SHEET NUMBER 1 OF 2					

NOTES

1. PART COMPOSITION

HOUSING MATERIAL: LIQUID CRYSTAL POLYMER(LCP), GLASS FILLED, UL94V-0, NATURAL(WHITE)

TERMINAL MATERIAL: PHOSPHOR BRONZE

CONTACT AREA : SEPARATED GOLD PLATING (0.1 MICROMETER MINIMUM)

SOLDER TAIL AREA : SEPARATED GOLD PLATING

UNDERPLATE : NICKEL OVERALL (1.0 MICROMETER MINIMUM)

ACTUATOR MATERIAL : POLYAMIDE(PA), GLASS FILLED, UL94 HB, BLACK

NAIL MATERIAL: PHOSPHOR BRONZE

SOLDER TAIL AREA : TIN OVERALL(1.0 MICROMETER MINIMUM)
UNDERPLATE : NICKEL OVERALL(1.0 MICROMETER MINIMUM)

2. PLEASE DO NOT OPERATE THE ACTUATOR BEFORE MOUNTING.

3. PLEASE OPERATE THE ACTUATOR AFTER INSERTING THE FPC INTO THE CONNECTOR.

4. ABOUT FPC

RECOMMENDED STIFFENER MATERIAL: POLYIMIDE

RECOMMENDED BASE FILM THICKNESS: 25 MICROMETER

RECOMMENDED ADHESIVE: THERMOSETTING ADHESIVE

NOTE: PLEASE PUT APPROPRIATE AMOUNT OF ADHESIVE ON ADHEREND BECAUSE THERE IS A POSSIBILITY THAT THE EXTRA ADHESIVE CAUSES THE DEFECT IN ELECTRICAL CONTINUITY.

RECOMMENDED PUNCHER DIRECTION:

FROM CONDUCTOR SIDE TO STIFFENER FILM SIDE.

RECOMMENDED CONDUCTOR SPECIFICATION:

THICKNESS OF SOFT COPPER FOIL: 35MICROMETER

5. R0.3 MUST NOT BE OVERLAPPED TO PATTERN OF FPC.

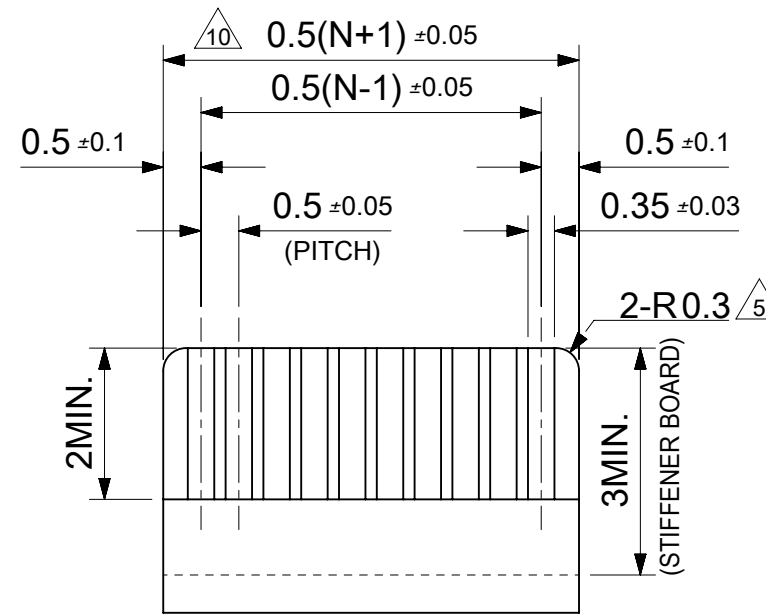
6. COPLANARITY : 0.1 MAXIMUM

7. PLEASE RECOGNIZE A POSSIBILITY TO CHANGE THE SHAPE OF THE PART THAT DOES NOT OBSTRUCT A FUNCTION, BY CIRCUMSTANCES IN OUR PRODUCTION.

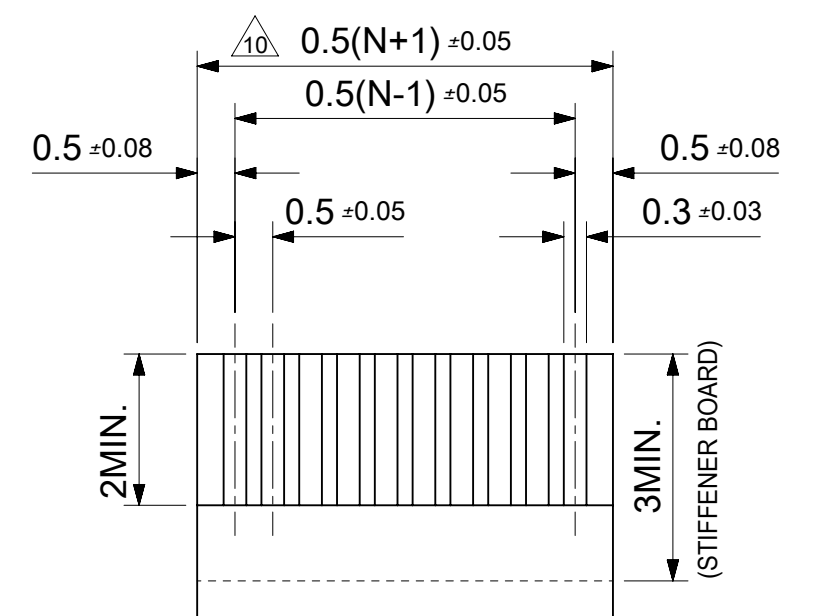
8. THIS PRODUCT IS DELIVERED WITH THE ACTUATOR IN THE OPEN POSITION.

9. THIS PRODUCT IS DUAL-CONTACT (TOP- AND BOTTOM-CONTACTS) TYPE CONNECTOR.

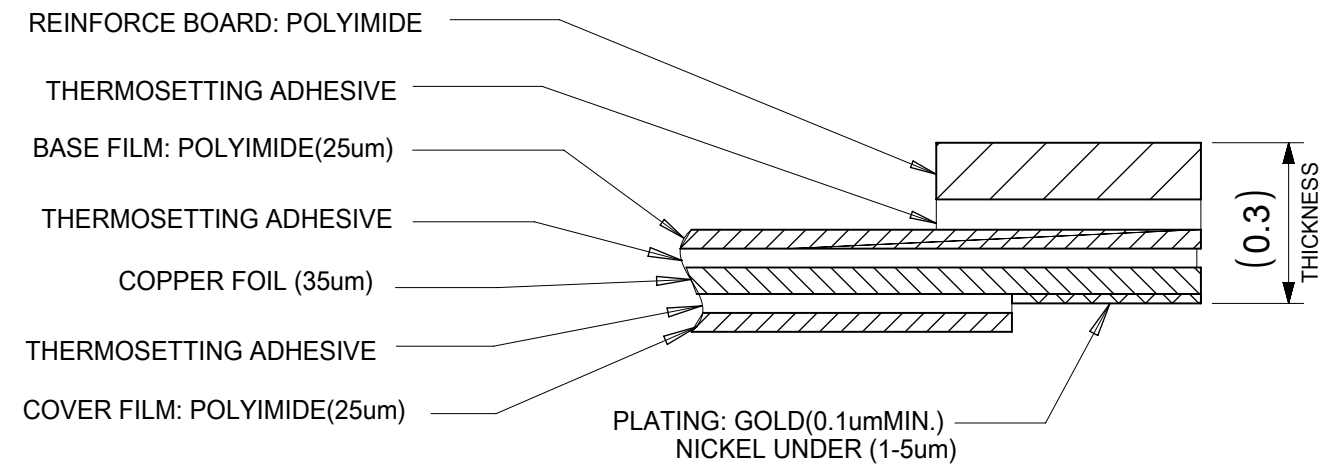
10. PLEASE CONFIRM TO INSERT FPC IN ADVANCE WHEN FPC WIDTH IS OVER $0.5(N+1)+0.02$.



APPLICABLE FPC RECOMMENDED DIMENSION N: CIRCUITS
(THICKNESS : 0.3±0.05) : 30 OR LESS CIRCUITS
(THICKNESS : 0.3±0.03) : 31 OR OVER CIRCUITS



APPLICABLE FFC RECOMMENDED DIMENSION N: CIRCUITS



STRUCTURE OF FPC

SYMBOLS	THIS DRAWING CONTAINS INFORMATION THAT IS PROPRIETARY TO MOLEX ELECTRONIC TECHNOLOGIES, LLC AND SHOULD NOT BE USED WITHOUT WRITTEN PERMISSION		CURRENT REV DESC:			molex				
	DIMENSION UNITS	SCALE								
▽ = 0	mm	10:1	EC NO: 637378 DRWN: YRKIM 2019/10/01 CHK'D: SHCHU 2020/05/12 APPR: SHCHU 2020/06/04			0.5 FPC CONN. E/O BACKFLIP H=1.0MM ASSEMBLY				
▽ = 0	GENERAL TOLERANCES (UNLESS SPECIFIED)									
▽ = 0	ANGULAR TOL ± 1.0°					PRODUCT CUSTOMER DRAWING				
▽ = 0	4 PLACES	±								
▽ = 0	3 PLACES	± 0.2								
▽ = 0	2 PLACES	± 0.25	INITIAL REVISION: DRWN: THIRAYAMA 2009/12/11 APPR: KMORIKAWA 2009/12/14			DOCUMENT NUMBER		DOC TYPE	DOC PART	REVISION
▽ = 0	1 PLACE	± 0.3				SD-503480-001		PSD	001	H1
▽ = 0	0 PLACES	±	THIRD ANGLE PROJECTION			MATERIAL NUMBER		CUSTOMER		SHEET NUMBER
▽ = 0	DRAFT WHERE APPLICABLE MUST REMAIN WITHIN DIMENSIONS		DRAWING		SERIES	SEE SHEET 1		GENERAL MARKET		2 OF 2
▽ = 0			A3-SIZE		503480					

