

Data sheet

Commercial Art.No.: 46.422.05B0.6

Cable assembly RST16i3KSBS 15B 05TB

RST16i3/2 extension cable, female - male, 2 pole, assembled with screw connection, application 250V/400V, 16A, cable type H05Z1Z1-F fire class B2, length 0.5m, cross section 1.5mm², coding color turquoise blue



| | |
|--------------------|---------------|
| Commercial Art.No. | 46.422.05B0.6 |
| EAN | 4049088500152 |
| Order Unit | 1 |

Technical data

General

| | |
|--|----------------------------------|
| Rated current | 16 A |
| Rated voltage | 250 V / 400 V |
| Rated impulse voltage | 4 kV |
| Pollution degree | 3 |
| Lockable | self-locking (unlocking by hand) |
| Color of coding/ contact carrier | turquoise blue |
| Marking of poles | D1, D2 |
| Color of housing inclusive strain relief | black |

Model

| | |
|---------------------------------|-----------------------|
| type of construction | Cable screw gland |
| Connection type | screw connection |
| Nominal cross section conductor | 1.5 mm ² |
| Degree of protection (IP) | IP66/68 (3m;2h) /IP69 |
| Cable type | H05Z1Z1-F |
| Cable color | black |
| Cable diameter min. | 7.3 mm |
| Cable diameter max. | 7.7 mm |
| Version of cable | female - male |
| Type of cord set | connecting cable |
| Version cable end 1 | female |
| Version cable end 2 | male |
| Shielded | No |

Material

| | |
|--|---------------|
| Surface finish | Silver-plated |
| halogen free | yes |
| Insulation components continuous temperature | 100 °C |
| Fire load | 0.426 kWh |
| Fire class | B2ca s1 d1 a1 |

Note

| | |
|------|--|
| Note | The total length may vary up to + / - 3 %. |
|------|--|

Classification

| | |
|------------|----------|
| ECLASS 11 | |
| ECLASS 8.1 | 27440604 |
| ETIM 7.0 | EC002587 |
| ETIM 6.0 | EC002587 |

Dimensions

| | |
|--------------|-------|
| Total length | 0.5 m |
|--------------|-------|

Product compliance

| | |
|------------------------------|--------------------|
| ROHS conformity status | Compliant/Exempted |
| ROHS exceptions | III-6(c) |
| REACH-SVHC conformity status | Duty-To-Declare |
| REACH-SVHC substances | Lead |
| REACH-SVHC CAS numbers | 7439-92-1 |

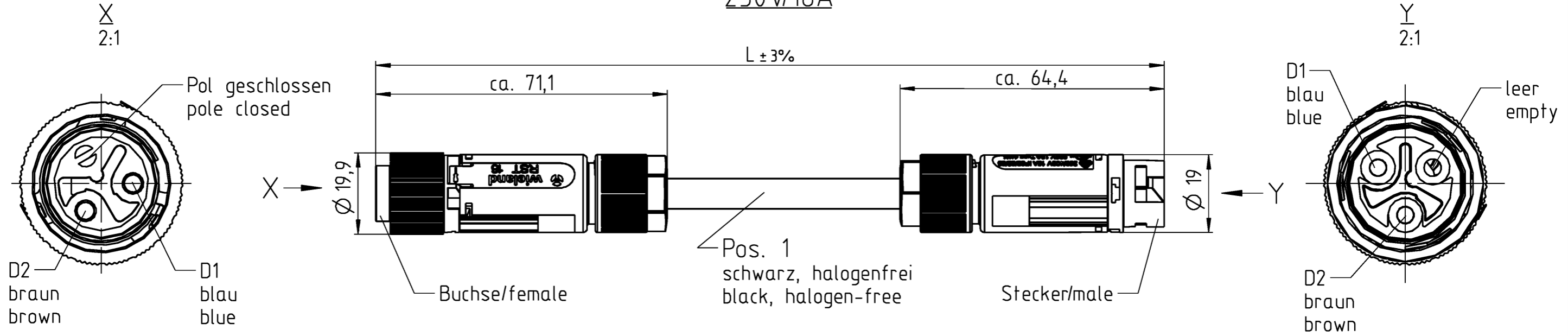
Accessories

| Commercial Art.No.: | Article-type description: | Description: |
|---------------------|-------------------------------|--|
| 06.563.8653.1 | Cover for female connector SW | RST16i3/2 cover piece, for covering unused female connectors, color black |
| 06.563.8753.1 | Cover for female connector SW | RST16i3/2 cover piece, for covering unused female connectors, with fastening belt, color black |
| 06.563.8853.1 | Cover for male connector SW | RST16i3/2 cover piece, for covering unused male connectors, color schwarz |
| 06.563.8953.1 | Cover for male connector SW | RST16i3/2 cover piece, for covering unused male connectors, with fastening belt, color schwarz |

Fits with

| Commercial Art.No.: | Article-type description: | Description: |
|---------------------|---|--|
| 46.031.5051.6 | Device connector RST16i3/2S B1 M02 A TB | RST16i3/2 device connector M16, 2 pole, female, screw connection, application 250/400V, 16A, coding color turquoise blue |
| 46.032.5051.6 | Device connector RST16i3/2S S1 M02 A TB | RST16i3/2 device connector M16, 2 pole, male, screw connection, application 250/400V, 16A, coding color turquoise blue |

Kodierung/coding C5
türkisblau/turquoiseblue
250V/16A



A
Weitergabe sowie Vervielfältigung dieses Dokuments, Verwertung und Mitteilung seines Inhalts sind verboten, soweit nicht ausdrücklich gestattet. The reproduction, distribution and utilization of this document as well as the communication of its contents to others without express authorization is prohibited.

B
These dimensions will be especially checked at delivery
Only inspection dimensions
With /E marked dimensions are only valid for internal use

D
Diese Maße werden bei Abnahme besonders geprüft
Ausschließlich Prüfmaße
Mit /E gekennzeichnete Maße sind nur für interne Zwecke gültig

| Bestell -Nr. order- no. | Pos. 1 | L | Beispiel (Farbe: türkisblau) example (colour: turquoiseblue) |
|----------------------------|---------------------------|--------------------------|---|
| 46.422.XX60.6 | H05Z1Z1-F 2X1,5.. CLASS E | XX in dm-Schritten/steps | 46.422.1060.6=10dm/L=1000mm |
| UM.422.XX60.6 | | XX in m-Schritten/steps | UM.422.1260.6=12m/L=12000mm |
| 46.422.XXD0.6 | H05Z1Z1-F 2X1,5.. CLASS D | XX in dm-Schritten/steps | 46.422.10D0.6=10dm/L=1000mm |
| UM.422.XXD0.6 | | XX in m-Schritten/steps | UM.422.12D0.6=12m/L=12000mm |
| 46.422.XXC0.6 | H05Z1Z1-F 2X1,5.. CLASS C | XX in dm-Schritten/steps | 46.422.10C0.6=10dm/L=1000mm |
| UM.422.XXC0.6 | | XX in m-Schritten/steps | UM.422.12C0.6=12m/L=12000mm |
| 46.422.XXB0.6 | H05Z1Z1-F 2X1,5.. CLASS B | XX in dm-Schritten/steps | 46.422.10B0.6=10dm/L=1000mm |
| UM.422.XXB0.6 | | XX in m-Schritten/steps | UM.422.12B0.6=12m/L=12000mm |

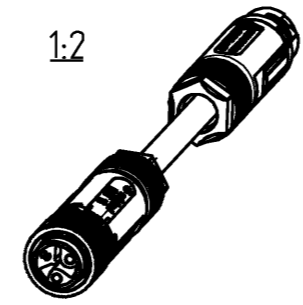
Weitere Daten siehe KATALOG oder eKATALOG.
Additional data see CATALOG or eCATALOG.

www.wieland-electric.com
eshop.wieland-electric.com

Tolerierung Size ISO 14405 © / Tolerance system Size ISO 14405 ©.
(This ISO-standard describes the envelope principle. According to the envelope principle the deviations of form and parallelism are limited by the size tolerances).

ja/yes Stoffverbots- und Deklarationsliste nach WN 5020.010 ist einzuhalten.
Conformity with Wieland document WN 5020.010 e (list of prohibited / declarable hazardous substances) to be declared!

Freitoleranz nach General tolerance CAD - Zeichnung, keine manuellen Änderungen CAD - drawing, no manual modifications allowed 1. Verwendung: First Use: Blatt: 1 von 1 Sheet: 1 of 1



| | | Werkstoff / Material | Tag/Date | Name | Zeichnung Nr. / Drawing No. | | Index |
|--|---|--|-------------------------------|--|-----------------------------|---------------------|-------|
| | / | Maßstab / Scale 1:1 | gezeichnet drawn | 09.07.2018 | Dütsch | T 46.422.1060.6 13K | - |
| | / | | geprüft checked | | | | |
| | / | | Normgepr. Stand. check | | | | |
| | / | Vol. mm ³ Dfl./Srf. mm ² | Ersatz für / Replacement for: | | | | |
| | / | Type | | Benennung/Title | | | |
| | / | www.wieland-electric.com | | RST1612K KSBS 15.. ..TB | | | |
| | / | Index Datum / Blatt Date / Sheet | | KONFEKT. LEITUNG Buchse - Stecker, Schraubanschluß ohne Drahtschutz female -male, screw connection without wire protection | | | |
| | / | Änderung / Revision | | | | | |