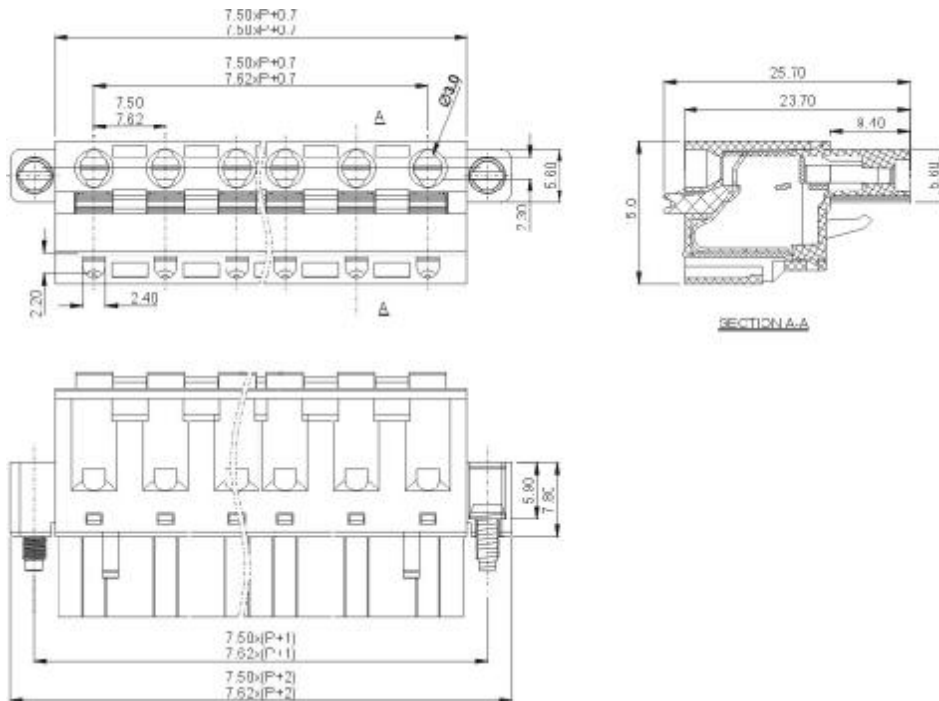
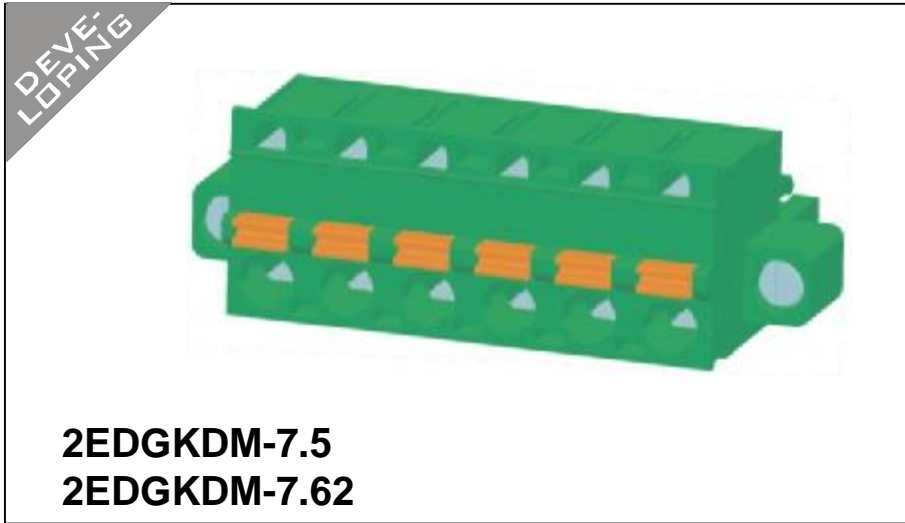




DEGSON ELECTRONICS CO., LTD.

Product Specification



APPROVAL		
Electrical		
Standard	UL	IEC
Rated voltage	300V	400V
Rated current	10A	20A
Wire range	26-12AWG	2.5mm ²
Withstanding voltage	AC2500V/1Min	
Mechanical		
Ambient temperature	-40°C~+105 °C	
Strip length	10mm	
Dimensions		
Pitch	7.5mm(.295") 7.62mm(.300")	
Poles	2P-16P	
Material		
Housing	PA66,UL94 V-0	
Contact	Phosphor bronze	
Wire guard	Stainless steel	

HOW TO ORDER :

- **P** - -

X	X	X
---	---	---

Customer Request

Series number **No. of pole** **Color**

1	Single pitch
2	Double pitch

1	Grey	4	Green	7	Trans Parent
2	Blue	5	Orange	8	Yellow
3	Black	6	Red	9	White

	DEGSON ELECTRONICS CO., LTD.
	NAME 2EDGKDM-7.5 2EDGKDM-7.62