

**PCB Connector Series**

KLS1-3.96 Pitch=3.96mm TYPE

**Electrical Specification:**

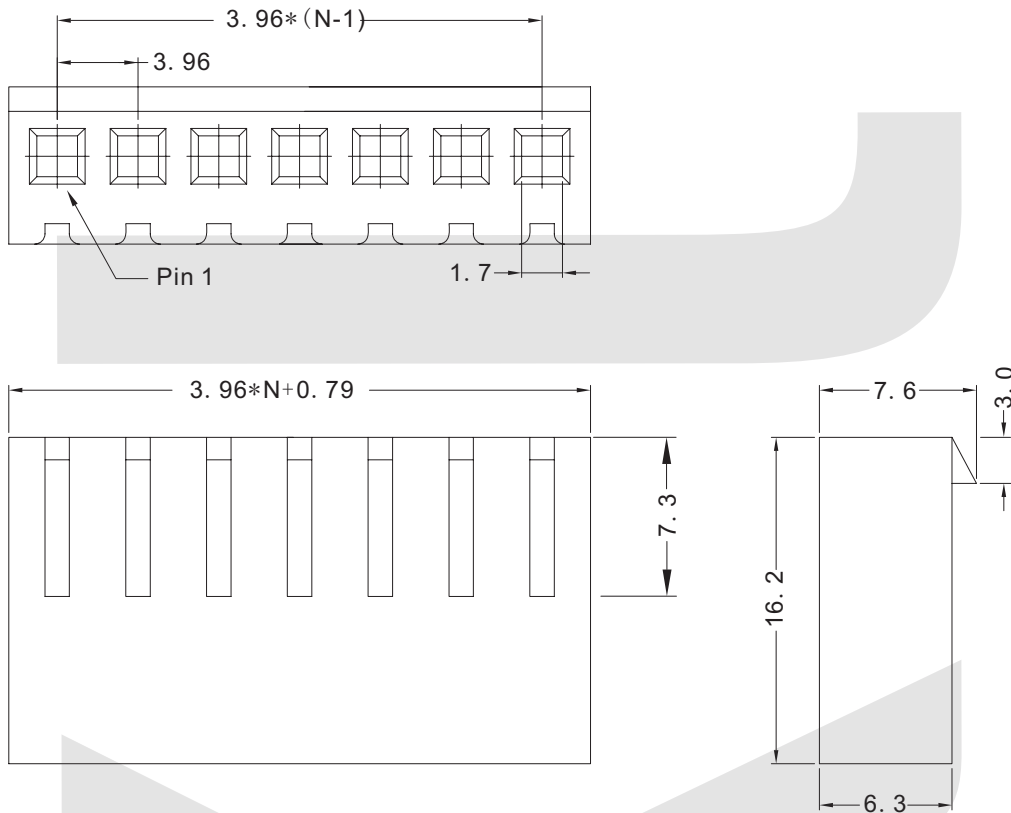
- Rated Voltage: 50/250V AC/DC
- Rated Current: 5A
- Contact Resistance: 0.02 Ohm max
- Insulation Resistance: 1000M Ohm min
- Withstand voltage: 1500V AC/MIN
- Temperature range for usage : -25°C~+85°C
- P.C board thickness : 1.6mm

**Material:**

- Housing: PA66 (PA66) UL94V-2
- Contacts: Brass or Phosphor Bronze
- Plating: Tin 50u" over 100u" nickel
- Wire range : AWG#24#18



**Housing**



**ORDER INFORMATION**

Product NO.: KLS1-3.96-XX-H

Pitch: 3.96=3.96mm

Type: H=Housing  
S=Straight Male pin  
PIN Number: 02 ~ 16Pin

T=Terminal  
R=Right Male pin

**PCB Connector Series**

KLS1-3.96 Pitch=3.96mm TYPE

**Electrical Specification:**

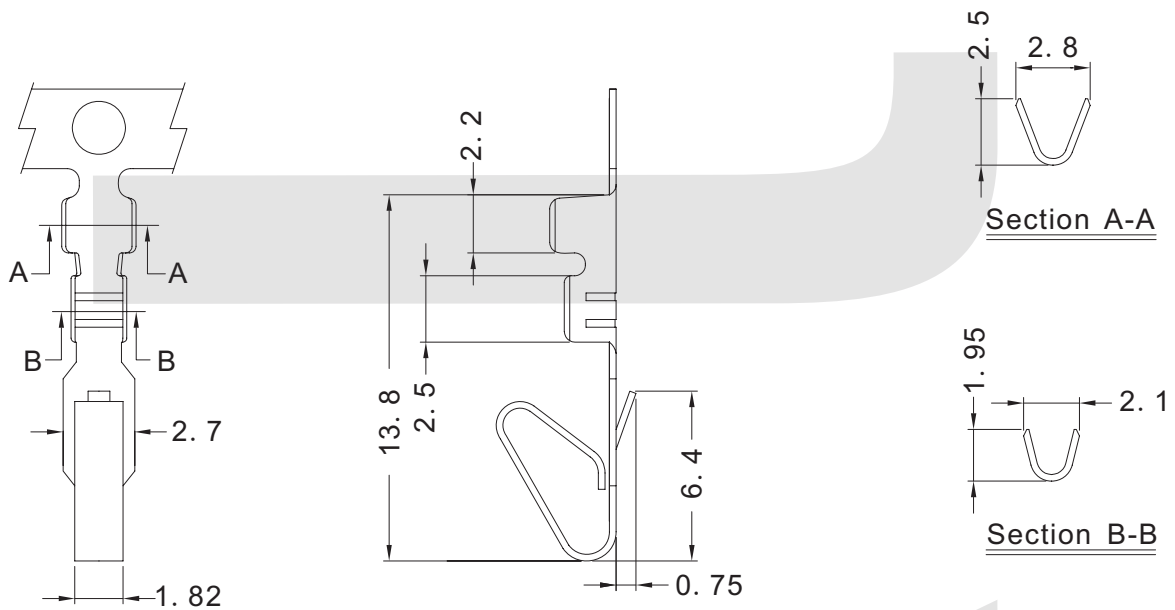
- Rated Voltage: 50/250V AC/DC
- Rated Current: 5A
- Contact Resistance: 0.02 Ohm max
- Insulation Resistance: 1000M Ohm min
- Withstand voltage: 1500V AC/MIN
- Temperature range for usage : -25°C~+85°C
- P.C board thickness : 1.6mm

**Material:**

- Housing: PA66 (PA66) UL94V-2
- Contacts: Brass or Phosphor Bronze
- Plating: Tin 50u" over 100u" nickel
- Wire range : AWG#24#18



**Terminal**



**ORDER INFORMATION**

Product NO.: KLS1-3.96-T

Pitch: 3.96=3.96mm

Type: H=Housing  
S=Straight Male pin  
T=Terminal  
R=Right Male pin

**PCB Connector Series**

KLS1-3.96 Pitch=3.96mm TYPE

**Electrical Specification:**

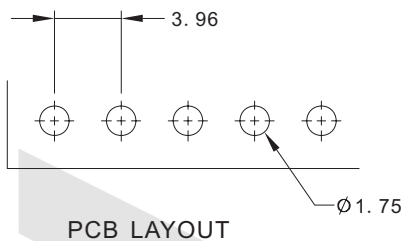
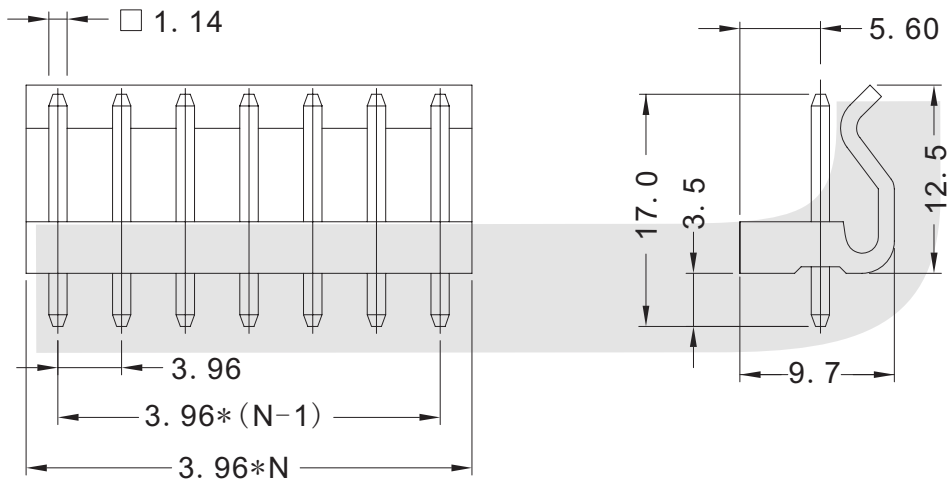
- Rated Voltage: 50/250V AC/DC
- Rated Current: 5A
- Contact Resistance: 0.02 Ohm max
- Insulation Resistance: 1000M Ohm min
- Withstand voltage: 1500V AC/MIN
- Temperature range for usage : -25°C~+85°C
- P.C board thickness : 1.6mm

**Material:**

- Housing: PA66 (PA66) UL94V-2
- Contacts: Brass or Phosphor Bronze
- Plating: Tin 50u" over 100u" nickel
- Wire range : AWG#24#18



**Straight**



**ORDER INFORMATION**

ProductNO.:KLS1-396-XX-S

Pitch: 3.96=3.96mm

Type: H=Housing  
S=Straight Male pin  
T=Terminal  
R=Right Male pin  
PIN Number: 02 ~ 16Pin

**PCB Connector Series**

KLS1-3.96 Pitch=3.96mm TYPE

**Electrical Specification:**

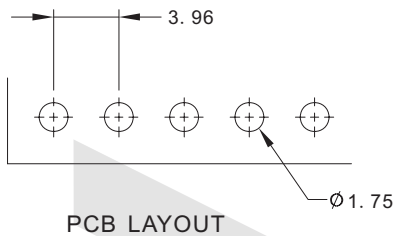
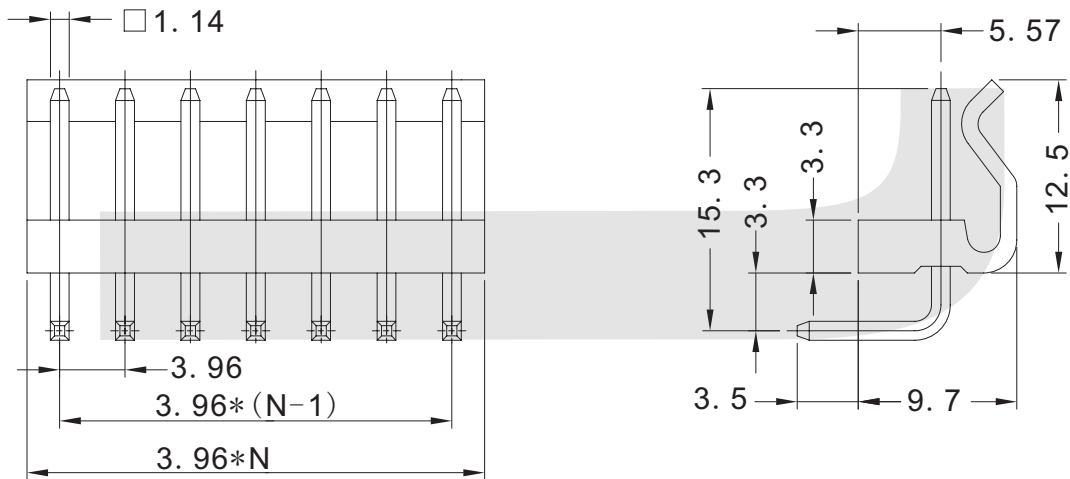
- Rated Voltage: 50/250V AC.DC
- Rated Current: 5A
- Contact Resistance: 0.02 Ohm max
- Insulation Resistance: 1000M Ohm min
- Withstand voltage: 1500V AC/MIN
- Temperature range for usage : -25°C~+85°C
- P.C board thickness : 1.6mm

**Material:**

- Housing: PA66 (PA66) UL94V-2
- Contacts: Brass or Phosphor Bronze
- Plating: Tin 50u" over 100u" nickel
- Wire range : AWG#24#18



**Right angle**



**ORDER INFORMATION**

ProductNO.:KLS1-396-XX-R

Pitch: 3.96=3.96mm

Type: H=Housing  
S=Straight Male pin  
T=Terminal  
R=Right Male pin

PIN Number: 02 ~ 16Pin