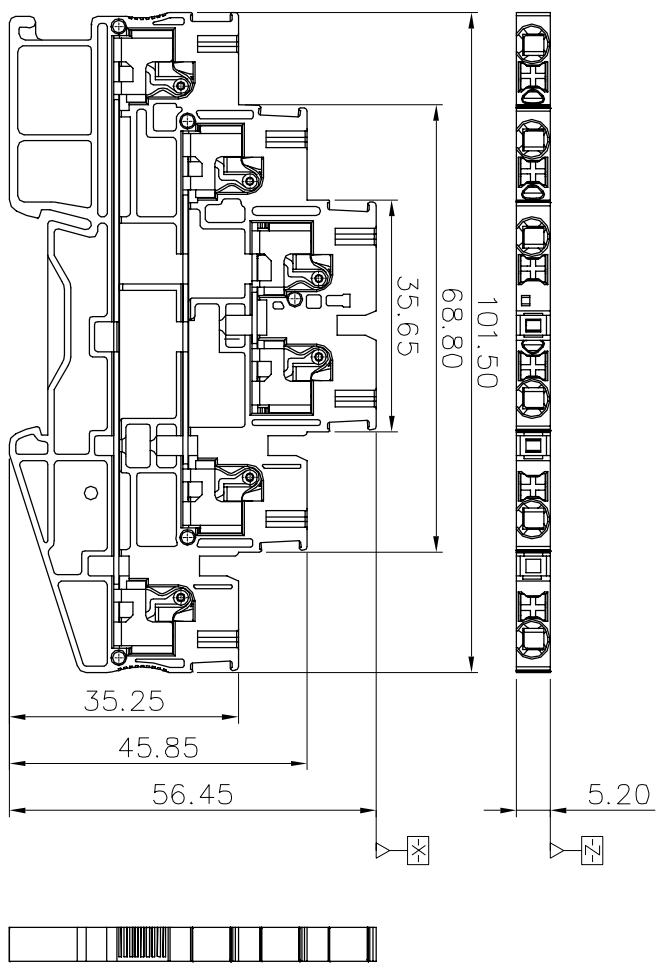


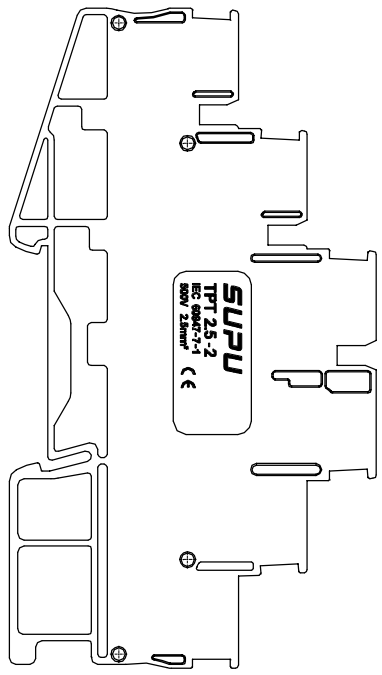
REVISION RECORD				
REV	ECN	DESCRIPTION	DRAWN	DATE
△	DCN0000264	图纸更新	陈杰松	2020/1/11

Transmittal, reproduction, dissemination and/or editing of this document as well as utilization of its contents and communication thereof to others without express authorization are prohibited.

未经允许禁止传输、复制、编辑该文档，以及利用其内容进行交流



Connection method:
 1. For Solid wire, peeling wire in right length, push down spring to clasp the wire.
 2. For stranded wire, connect directly after peeling in right length, or wire furrled and fix in by pushing the spring.



NOTES:
 UL/CUL Standard
 1. Conductor cross section : 26~12AWG
 2. Rated Voltage/Current :

Use group	B	C	D
Rated voltage(V)	600	600	
Rated current(A)	20	20	

Material:

Insulator	PA66	UL94 V-0
Conductor	Copper alloy	Sn plated
Spring	Stainless steel	
Button	POM	

IEC Standard
 1. Conductor cross section :

Wire range(Solid/Stranded)	0.2-2.5mm ²	0.2-4mm ²	0.2-2.5mm ²
Solid	0.2-4mm ²	0.2-2.5mm ²	0.2-2.5mm ²
Stranded	0.2-2.5mm ²	0.2-2.5mm ²	0.2-2.5mm ²
Stranded with ferrules	0.2-2.5mm ²	0.2-2.5mm ²	0.2-2.5mm ²
Stranded with plastic sleeve	0.2-2.5mm ²	0.2-2.5mm ²	0.2-2.5mm ²

General information:
 1. Dimension shall be interpreted per ASME Y14.5-2009
 2. Stripping length : 10mm
 3. Operating temperature: -40°C~+105°C
 4. RoHS Compliance
 5. Undimensioned Tolerances:

2. Rated Voltage/Current :

Surge voltage category	III
Pollution degree	3
Rated surge voltage(kV)	6
Rated voltage(V)	500
Rated current(A)	20

Pitch Range in mm	Nominal Dimension	Range in mm	Tolerance
Over 6	Over 30	Over 60	Over 100
To 10	To 40	To 80	To 150
Over 10	Over 24	Over 30	Over 60
To 15	To 30	To 40	To 80
±0.15	±0.20	±0.30	±0.50
			±0.70
			±1.00
			±1.30
			±2°

HOW TO ORDER:

TP12.5-2-XX
 Sereses No. _____
 Color: GY: Grey
 BU: Blue
 OG: Orange

订货号	TP12.5-2-XX	名称	TP系列直插式 2.5mm ² 三层 接线端子	未注公差	表面
项目	签字	图号	PRM001474	Tolerances Table	VDI21
设计	c.js	材料	Notes	阶段标记	版本
审核	cw	Material		Progress	Revision
工艺	-	物料号	412211008	Weight	Scale
Process	-	Item No.	412211009	1 of 1	1:1
标准化	-		412211010		
Unity	-				
批准	1w1				
Approve	01/11/20"				

NINGBO SUPU ELECTRONICS CO.,LTD.