

Data sheet

Commercial Art.No.: 70.350.4835.3

Hood BAS GOT GG 48 M32 A3

Hood revos basic made of aluminum, for single locking lever with trumpet gland M32 on the right side (IP54), low version, 48-poles



Commercial Art.No.	70.350.4835.3
EAN	4015573641235
Order Unit	1

Certificates / Approvals



Technical data

General

Housing material	aluminum
Color	Grey
Surface	With powder coating
Degree of protection (IP)	IP54
UV resistant	yes
Inflammability class of insulation material acc. with UL94	Other
Operating temperature range min.	-40 °C
Operating temperature range max.	120 °C

Model

Construction	48
Locking mechanism	Single locking lever
Cable entry	Sideways
Type of cable	Gland nut
With cable screw gland	yes
Thread size M	32
Thread size PG	
Hinged lid	No
EMC-version	No
Length	132 mm
Width	90 mm
Height	107 mm

Classification

ECLASS 11	
-----------	--

ECLASS 8.1	27440202
ETIM 7.0	EC000437
ETIM 6.0	EC000437
ETIM 5.0	EC000437
ETIM 4.0	EC000437
ETIM 3.0	EC000437

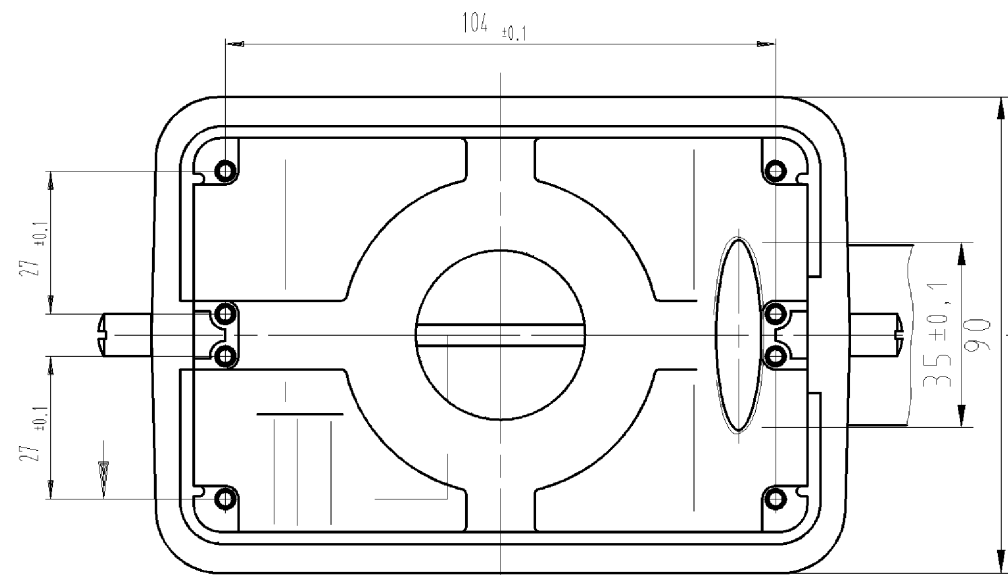
Product compliance

ROHS conformity status	Compliant/Exempted
ROHS exceptions	III-6(c)
REACH-SVHC conformity status	Duty-To-Declare
REACH-SVHC substances	Lead
REACH-SVHC CAS numbers	7439-92-1

Fits with

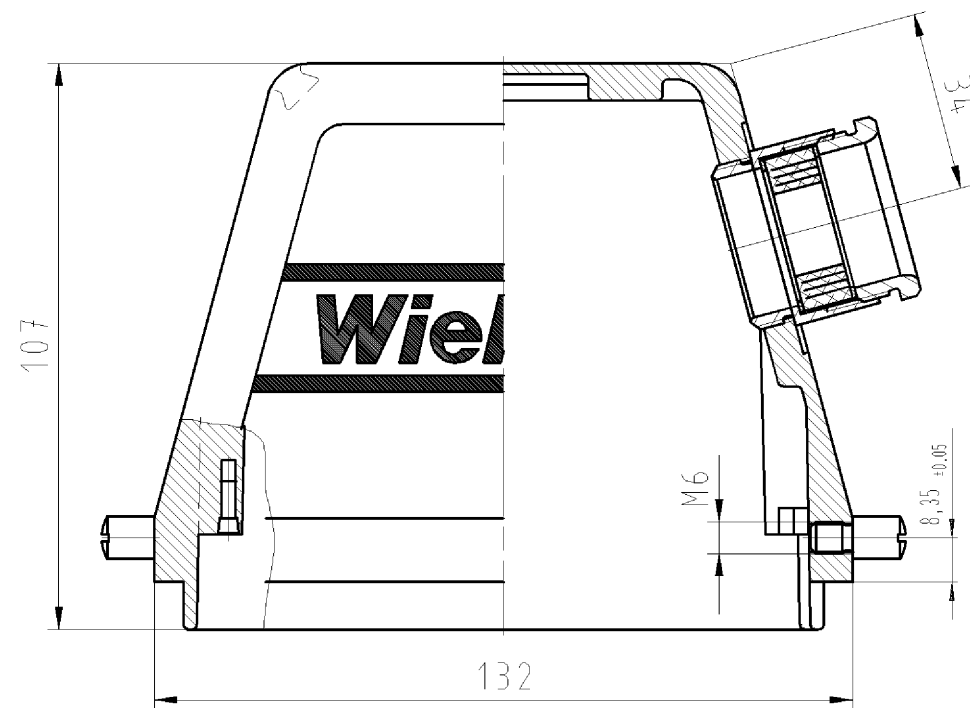
Commercial Art.No.:	Article-type description:	Description:
70.300.4840.0	Female insert BAS BUS 48 2,5 50	Female insert revos basic, 48-poles, rated current: 16A, rated voltage:500V, with tin-plated contacts
70.310.4840.0	Male insert BAS STS 48 2,5 50	Male insert revos basic, 48-poles, rated current: 16A, rated voltage: 500V, with tin-plated contacts
70.500.4853.0	Female insert BAS BUF 48 2,5 50	Female insert revos basic, 48-poles, rated current: 16A, rated voltage:500V, with tin-plated contacts
70.510.4853.0	Male insert BAS STF 48 2,5 50	Male insert revos basic, 48-poles, rated current: 16A, rated voltage: 500V, with tin-plated contacts
70.700.4858.0	Female insert BAS BUC 48 50	Female insert revos basic, 48-poles, rated current: 16A, rated voltage:500V, with tin-plated contacts
70.710.4858.0	Male insert BAS STC 48 50	Male insert revos basic, 48-poles, rated current: 16A, rated voltage: 500V, with tin-plated contacts
72.300.4853.0	Female insert BAS BUS 48 2,5 69	Female insert revos basic, 48-poles, rated current: 16A, rated voltage:690V, with tin-plated contacts
72.310.4853.0	Male insert BAS STS 48 2,5 69	Male insert revos basic, 48-poles, rated current: 16A, rated voltage: 690V, with tin-plated contacts

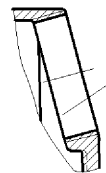
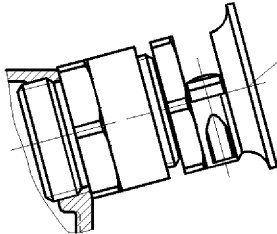
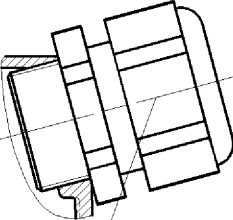
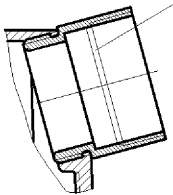
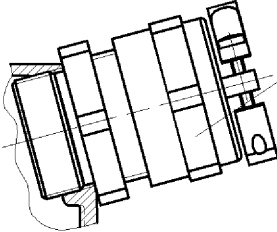
○ Diese Maße werden bei Abnahme besonders geprüft
 □ Ausschließlich Prüfmaße
 M11/Æ Rekanzeichenteile Maße sind nur für interne Zwecke gültig



Ausführung .0
version .0


Kabelverschraubung M32
cable gland M32



 Gewinde M32 thread M32 Ausführung .1 version .1	 Kabeldurchführung M32 mit Zugentlastung und Biegeschutz cable gland M32 with strain relief and bending protection Ausführung .3 version .3	 Ausführung .5 version .5 Kabelverschraubung M32 cable gland M32 IP 65
 Stützen M32 intermediate support with thread M32 Ausführung .2 version .2	 Kabelverschraubung M32 mit Zugentlastung und Knickschutz cable gland M32 with strain relief and kink protection Ausführung .4 version .4	

Teile-Nr. part no.	Typ type
70.350.4835.0	BAS GOT GG 48 M32 50 A0
70.350.4835.1	BAS GOT GG 48 M32 50 A1
70.350.4835.2	BAS GOT GG 48 M32 50 A2
70.350.4835.3	BAS GOT GG 48 M32 50 A3
70.350.4835.4	BAS GOT GG 48 M32 50 A4
70.350.4835.5	BAS GOT GG 48 M32 50 A5

Weitere Daten siehe Katalog
further data see catalog

Freitoleranz nach DIN		CAD - Zeichnung, keine manuellen Änderungen			1. Verwendung: -		Bl.: 1 von 1	
	/	Maßstab	Werkstoff und Oberfläche:	2005	Tag	Name	Zeichnung Nr.	Index
	/			Entworfen	14.06.	Schmitt J.		
	/	%		Geprüft	-	-	Ersatz für: -	
	/			Normgepr.	-	-		
a	24.02.2010/	 wieland Elektrische Verbindungen		Benennung				
Buchstabe	Datum / Blatt			GEHÄUSEOBERTEIL Größe 48/M32 schmale Seite HOOD size 48/M32 narrow side				
Änderung								

Weitergabe sowie Vervielfältigung dieses Dokuments, Verwertung und Mitteilung
 seines Inhalts sind verboten, soweit nicht ausdrücklich gestattet.
 The reproduction, distribution and utilization of this document as well as the
 communication of its contents to others without express authorization is prohibited.

703504835001K_4_CADW2013_hoffmann_2010-02-24T14:19:46 1.000