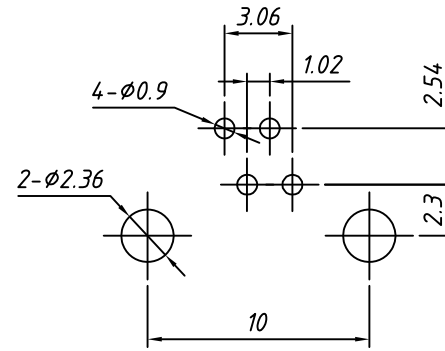
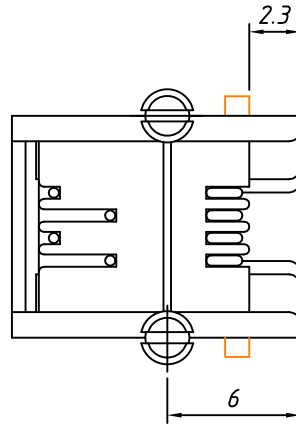


Without Panel



PCB Layout

Material:  
 Housing: PBT+Glass Filled Polyester  
 Flammability Rating: UL94V-0  
 Contacts: Phosphor Bronze  $\phi 0.46\text{mm}$   
 Plating: Gold Plating

Electrical:  
 Voltage Rating: 125VAC  
 Current Rating: 1.5A  
 Contact Resistance:  $30\text{m}\Omega$  Max.  
 Insulation Resistance:  $500\text{M}\Omega$  Min.  
 Dielectric Strength: 1000VAC Rms 50Hz, 1 Min.  
 Durability: 600 cycles Min.  
 Operation Temperature:  $-40^{\circ}\text{C} \sim +70^{\circ}\text{C}$

Order Information

L-KLS12-123-4P4C - W - 1 - XX

RoHS

Contacts: 4P4C

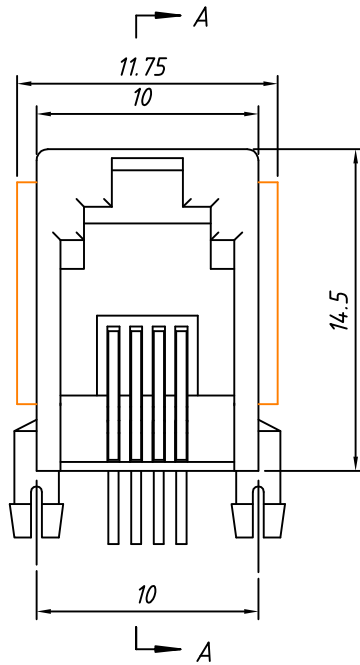
Panel: W-With Panel  
 W/O-Without Panel

Color Code:

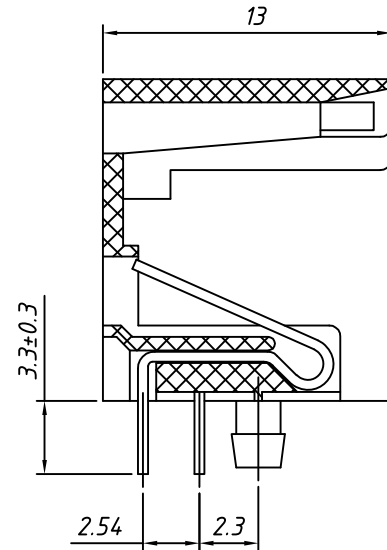
1-Black  
 2-Gray

Plating Code:

01-Fu" Gold Plating  
 02-3u" Gold Plating  
 03-6u" Gold Plating  
 04-15u" Gold Plating  
 05-30u" Gold Plating



With Panel



SECTION A-A

GENERAL TOLERANCE	PROJECTION		Description:
X. $\pm 0.30$	UNITS	mm	RJ11-4P4C Modular jacks
.X $\pm 0.25$	SCALE	1:1	
.XX $\pm 0.20$	Draw by:	Jenny	
ANGLE TOLERANCE	Check by:	Daniel	KLS P/N: L-KLS12-123-4P4C-X-X-XX
X. $\pm 3^{\circ}$	Date	2018-03-01	NingBo KLS ELECTRONIC CO.,LTD.
.X $\pm 2^{\circ}$	SHEET	1 OF 1	
.XX $\pm 1^{\circ}$			