

## Data sheet

Commercial Art.No.: 96.051.4353.6

Connector RST20i5S B1 ZRYS A TB04

RST20i5 splitter connector, 5 pole, female, screw connection, application 250V with PE, 20A, for cable diameters 10-14mm, coding color turquoise blue, color of housing black



Commercial Art.No.	96.051.4353.6
EAN	4015573936584
Order Unit	1

Certificates / Approvals



LR

RINA



## Technical data

### General

Rated current	20 A
Rated voltage	250 V
Rated impulse voltage	4 kV
strain relief	yes
Pollution degree	3
Lockable	self-locking (unlocking by tool)
Color of coding/ contact carrier	turquoise blue
Marking of poles	D1, D2, L, PE, N
Color of housing inclusive strain relief	black

### Connection Data

Cable diameter max.	14 mm
Cable diameter min.	10 mm
Connection cross section solid mm <sup>2</sup> max.	4 mm <sup>2</sup>
Connection cross section solid mm <sup>2</sup> min.	0.75 mm <sup>2</sup>
Connection cross section solid AWG min.	18 AWG
Connection cross section solid AWG max.	14 AWG
Connection cross section fine stranded mm <sup>2</sup> max.	4 mm <sup>2</sup>
Connection cross section fine stranded mm <sup>2</sup> min.	0.75 mm <sup>2</sup>
Terminations per pole	1
Connection cross section stranded mm <sup>2</sup> min.	0.75 mm <sup>2</sup>
Connection cross section stranded mm <sup>2</sup> max.	4 mm <sup>2</sup>
Connection cross section stranded AWG min.	18 AWG
Connection cross section stranded AWG max.	14 AWG
sheath strip length	40.5 mm
Wire strip length	8 mm

**Model**

Model	female
Connection type	screw connection
Degree of protection (IP)	IP66/68 (3m;2h) /IP69

**Material**

Housing material	Polyamide
halogen free	yes
Contact material	CuZn
Fire load	0.516 kWh
Insulation components continuous temperature	100 °C
Surface finish	Silver-plated

**Dimensions**

Length	95.9 mm
Width	59 mm
Height	38 mm

**Classification**

ECLASS 11	
ECLASS 8.1	27440605
ETIM 7.0	EC002560
ETIM 6.0	EC002560
ETIM 5.0	EC002560
ETIM 4.0	EC002560

**Note**

Note	RST® terminals with screw clamping allow the connection of conductors without special preparation (without ferrules) according to EN 60999-1.
------	---

**Product compliance**

ROHS conformity status	Compliant/Exempted
ROHS exceptions	III-6(c)
REACH-SVHC conformity status	Duty-To-Declare
REACH-SVHC substances	Lead
REACH-SVHC CAS numbers	7439-92-1

**Accessories**

Commercial Art.No.:	Article-type description:	Description:
99.530.0000.7	Cover for female connector SW	RST20i5/4 cover piece, for covering unused female connectors, with fastening belt, color black
Z5.565.9853.1	Cover for female connector SW	RST20i5/4 cover piece, for covering unused female connectors, color black
05.564.8653.1	Opener RST20i3/i5 SCHWARZ	Manual disconnect for later installation of RST connectors, color black

**Fits with**

Commercial Art.No.:	Article-type description:	Description:
---------------------	---------------------------	--------------

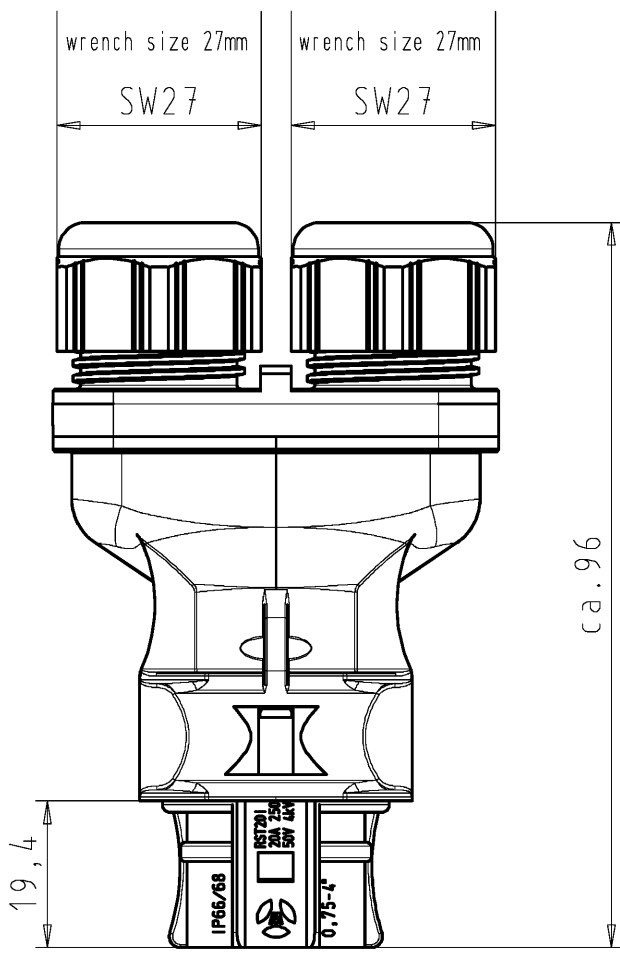
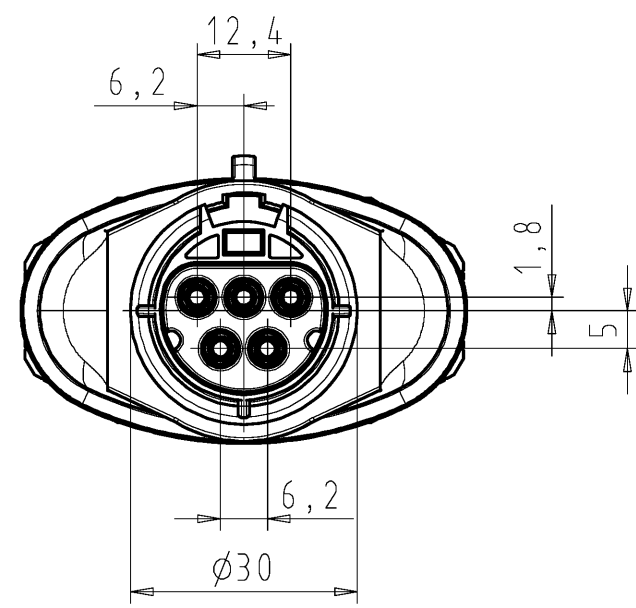
96.050.0153.6	Distributor RST20i5B 3P1 F VGA SW04	RST20i5 compact distribution unit, 5 pole, application 250V with PE, 20A, 1 input and 3 outputs, with fastening option, coding color turquoise blue, color of housing turquoise blue
96.453.1030.6	Cable assembly RST20i5KSBS 25 10TB04	RST20i5 extension cable female - male, 5 pole, assembled with screw connection, application 250V with PE, 20A, cable type H07RN-F, length 1.0m, cross section 2.5mm <sup>2</sup> , coding color turquoise blue
96.052.4353.6	Connector RST20i5S B1 ZRYSV TB04	RST20i5 splitter connector, 5 pole, male, screw connection, application 250V with PE, 20A, for cable diameters 10-14mm, coding color turquoise blue, color of housing black
96.052.5053.6	Device connector RST20i5S S1 M01VA TB0	RST20i5 device connector M25, 5 pole, male, screw connection, application 250V with PE, 20A, coding color turquoise blue
96.052.6153.6	Device connector RST20i5S S1 M03VA TB0	RST20i5 device connector M16, 5 pole, male, screw connection, modular, application 250V with PE, 20A, coding color turquoise blue, color of housing black
96.052.6053.6	Device connector RST20i5S S1 M00VA TB0	RST20i5 device connector M20, 5 pole, male, screw connection, modular, application 250V with PE, 20A, coding color turquoise blue, color of housing black
96.054.6053.6	Device connector RST20i5S S1 M90VA TB0	RST20i5 device connector (90° angled) M20, 5 pole, male, screw connection, modular, application 250V with PE, 20A, coding color turquoise blue, color of housing black
96.054.6253.6	Device connector RST20i5S S1 M91VA TB0	RST20i5 device connector (90° angled) M25, 5 pole, male, screw connection, modular, application 250V with PE, 20A, coding color turquoise blue, color of housing black
96.056.6153.6	Device connector RST20i5S S1 M13V TB04	RST20i5 device connector (7° angled) M16, 5 pole, male, screw connection, modular, application 250V with PE, 20A, coding color turquoise blue, color of housing black

These dimensions will be especially checked at delivery  
Only inspection dimensions  
With /E marked dimensions are only valid for internal use

Diese Maße werden bei Abnahme besonders geprüft  
Ausschließlich Prüfmaße  
Mit /E gekennzeichnete Maße sind nur für interne Zwecke gültig

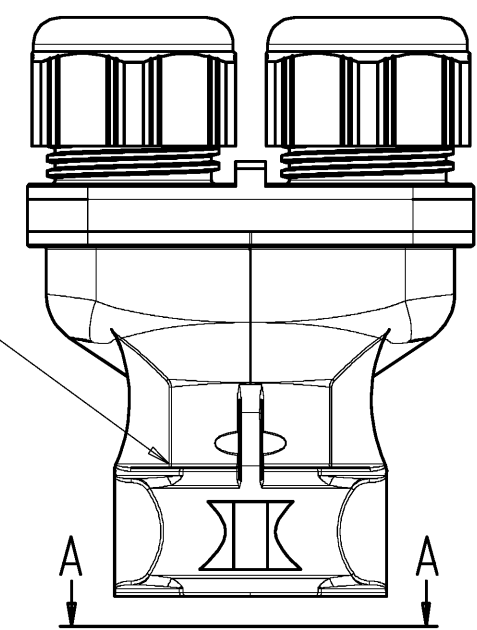
These dimensions will be especially checked at delivery  
Only inspection dimensions  
With /E marked dimensions are only valid for internal use

These dimensions will be especially checked at delivery  
Only inspection dimensions  
With /E marked dimensions are only valid for internal use

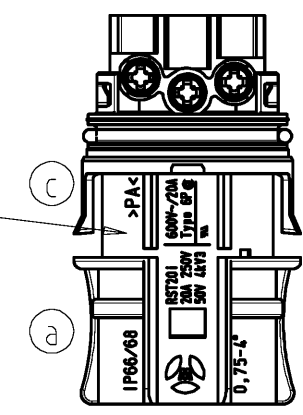


### Auslieferungszustand delivery status

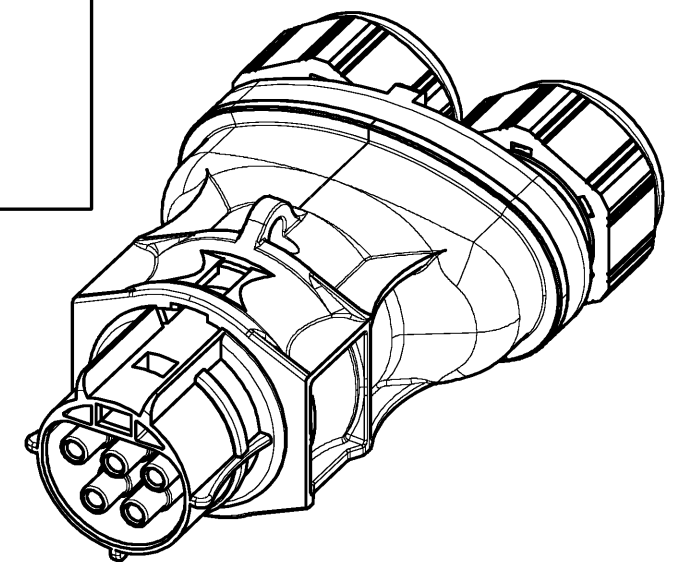
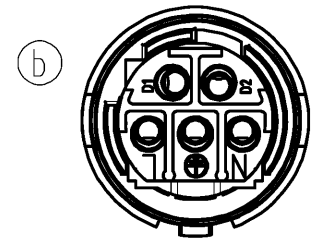
für Kabeldurchm. 10-14mm  
for cable diameter 10-14mm  
Farbe: schwarz,  
ähnl. RAL 9005  
color: black,  
similar to RAL 9005



Farbe: türkisblau,  
ähnl. RAL 5018  
color: turquoise blue,  
similar to RAL 5018



### A-A



Type: RST2015S B1 ZRYSVA TB04

Verpackungseinheit: je 100 Stück  
packaging unit: per 100

Tolerierung Size ISO 14405 (E) / Tolerance system Size ISO 14405 (E). (This ISO-standard describes the envelope principle. According to the envelope principle the deviations of form and parallelism are limited by the size tolerances).				ja/yes <input checked="" type="checkbox"/> Stoffverbots- und Deklarationsliste nach WN 5020.010 ist einzuhalten. Conformity with Wieland document WN 5020.010 e (list of prohibited / declarable hazardous substances) to be declared!			
Freitoleranz nach General tolerance		CAD - Zeichnung, keine manuellen Änderungen CAD - drawing, no manual modifications allowed		1. Verwendung: First Use:		Blatt: 1 von 1 Sheet: of 1	
		Werkstoff/Material		2006	Tag/Date	Name	
				gezeichnet drawn	27.09.	Kneitz	
		Maßstab/Scale		geprüft checked	-	-	
		1:1		Normgepr. Stand. check	-	-	
c		16.12.2014/	Vol.	mm <sup>3</sup> Of l./Surf.	mm <sup>3</sup>	Ersatz für/Replacement for: -	
b		13.04.2012/			Type		Benennung/Title
a		28.01.2011/					BUCHSENTEIL M_DOPPELZUGENTL
Index		Datum / Blatt Date / Sheet		www.wieland-electric.com		female connector with double cordgrip Schraubanschluß/screw-connection Kodierung 4/keying 4 (250V/50V/20A)	
Änderung/Revision							

Weitergabe sowie Vervielfältigung dieses Dokuments, Verwertung und Mitteilung seines Inhalts sind verboten, soweit nicht ausdrücklich gestattet. Die Reproduktion, Distribution und Nutzung dieses Dokuments sowie die Kommunikation der Inhalte ist ohne schriftliche Genehmigung der Wieland Electric AG ist untersagt.