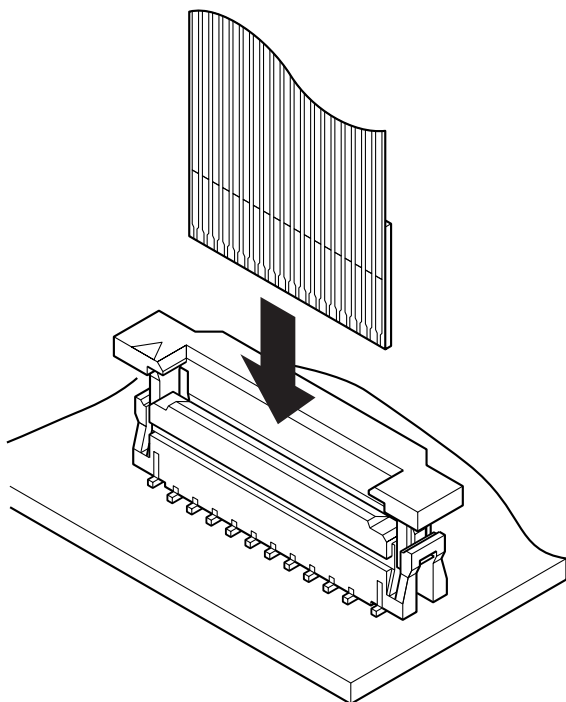




FLZT CONNECTOR

0.5mm pitch/Connectors for FPC



Vertical 0.5mm pitch ZIF type connector with staggered solder tails. Both normal type and reverse type are available.

- Zero insertion force mechanism
- Two types of connections
- Heat resisting design suitable for surface mounting

Specifications

- Current rating: 0.5A AC, DC
- Voltage rating: 50V AC, DC
- Temperature range: -25°C to +85°C
(including temperature rise in applying electrical current)
- Contact resistance: Initial value/20m Ω max.
After environmental testing/40m Ω max.
- Insulation resistance: 100M Ω min.
- Withstanding voltage: 200V AC/minute
- Applicable FPC: Conductor pitch/0.5mm
Conductor width/0.35mm
Mating part thickness/0.3±0.05mm

Note: FPC to be actually used should be checked for applicability.

- * RoHS compliant products are published.
- * Refer to "General Instruction and Notice when using Terminals and Connectors" at the end of this catalog.
- * Contact JST for details.

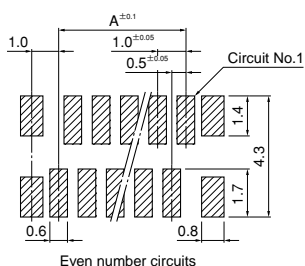
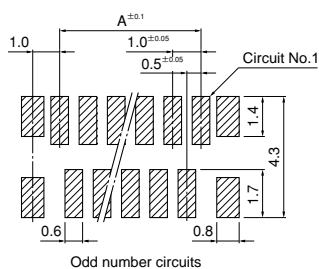
Standards

Ⓡ Recognized E60389

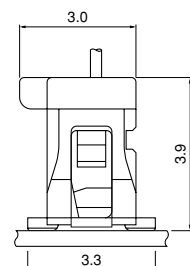
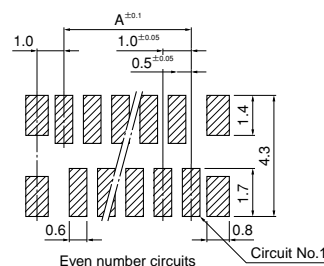
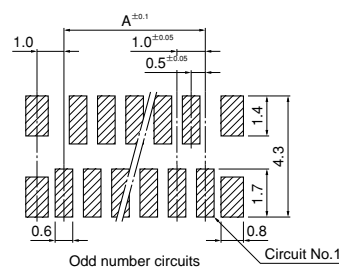
Ⓢ Certified LR20812

PC board layout (viewed from component side) and Assembly layout

Normal type



Reverse type

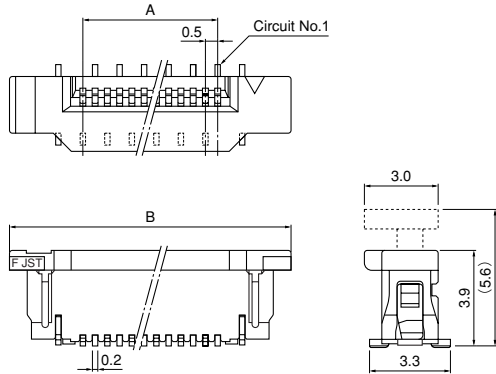


Note: 1. Tolerances are non-cumulative: ±0.05mm for all centers.
2. The dimensions above should serve as a guideline. Contact JST for details.

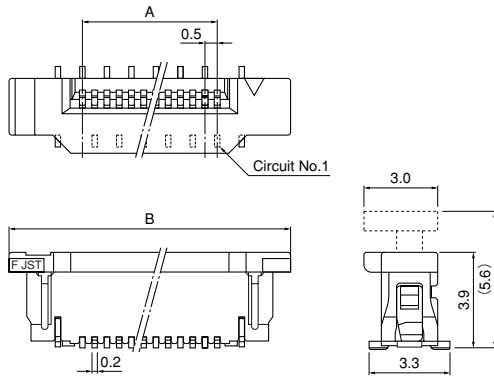
FLZT CONNECTOR

Connector

Normal type



Reverse type



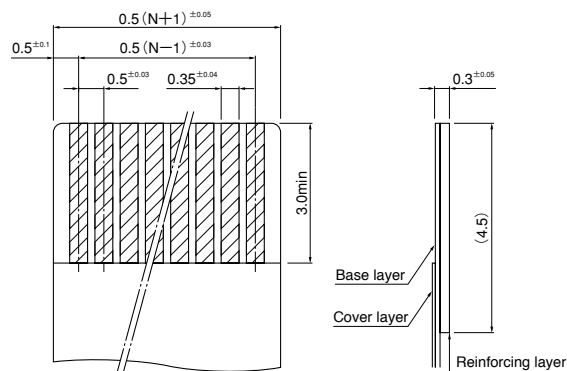
Circuits	Model No.		Dimensions (mm)		Q'ty / reel
	Normal type	Reverse type	A	B	
6	06FLZT-SM1-TF	06FLZT-RSM1-TF	2.5	8.5	1,500
8	08FLZT-SM1-TF	08FLZT-RSM1-TF	3.5	9.5	1,500
10	10FLZT-SM1-TF	10FLZT-RSM1-TF	4.5	10.5	1,500
12	12FLZT-SM1-TF	12FLZT-RSM1-TF	5.5	11.5	1,500
14	14FLZT-SM1-TF	14FLZT-RSM1-TF	6.5	12.5	1,500
15	15FLZT-SM1-TF	15FLZT-RSM1-TF	7.0	13.0	1,500
16	16FLZT-SM1-TF	16FLZT-RSM1-TF	7.5	13.5	1,500
20	20FLZT-SM1-TF	20FLZT-RSM1-TF	9.5	15.5	1,500
22	22FLZT-SM1-TF	22FLZT-RSM1-TF	10.5	16.5	1,500
24	24FLZT-SM1-TF	24FLZT-RSM1-TF	11.5	17.5	1,500
28	28FLZT-SM1-TF	28FLZT-RSM1-TF	13.5	19.5	1,500
30	30FLZT-SM1-TF	30FLZT-RSM1-TF	14.5	20.5	1,500
37	37FLZT-SM1-TF	37FLZT-RSM1-TF	18.0	24.0	1,500
40	40FLZT-SM1-TF	40FLZT-RSM1-TF	19.5	25.5	1,500
42	42FLZT-SM1-TF	42FLZT-RSM1-TF	20.5	26.5	1,500

Material and Finish

Contact: Phosphor bronze, copper-undercoated, tin-plated (reflow treatment)
 Slider housing: PPS, UL94V-0
 Normal type...natural (brown)
 Reverse type...black
 Housing: PPS, UL94V-0, natural
 Solder tab: Brass, copper-undercoated, tin-plated (reflow treatment)

RoHS compliance This product displays (LF)(SN) on a label.

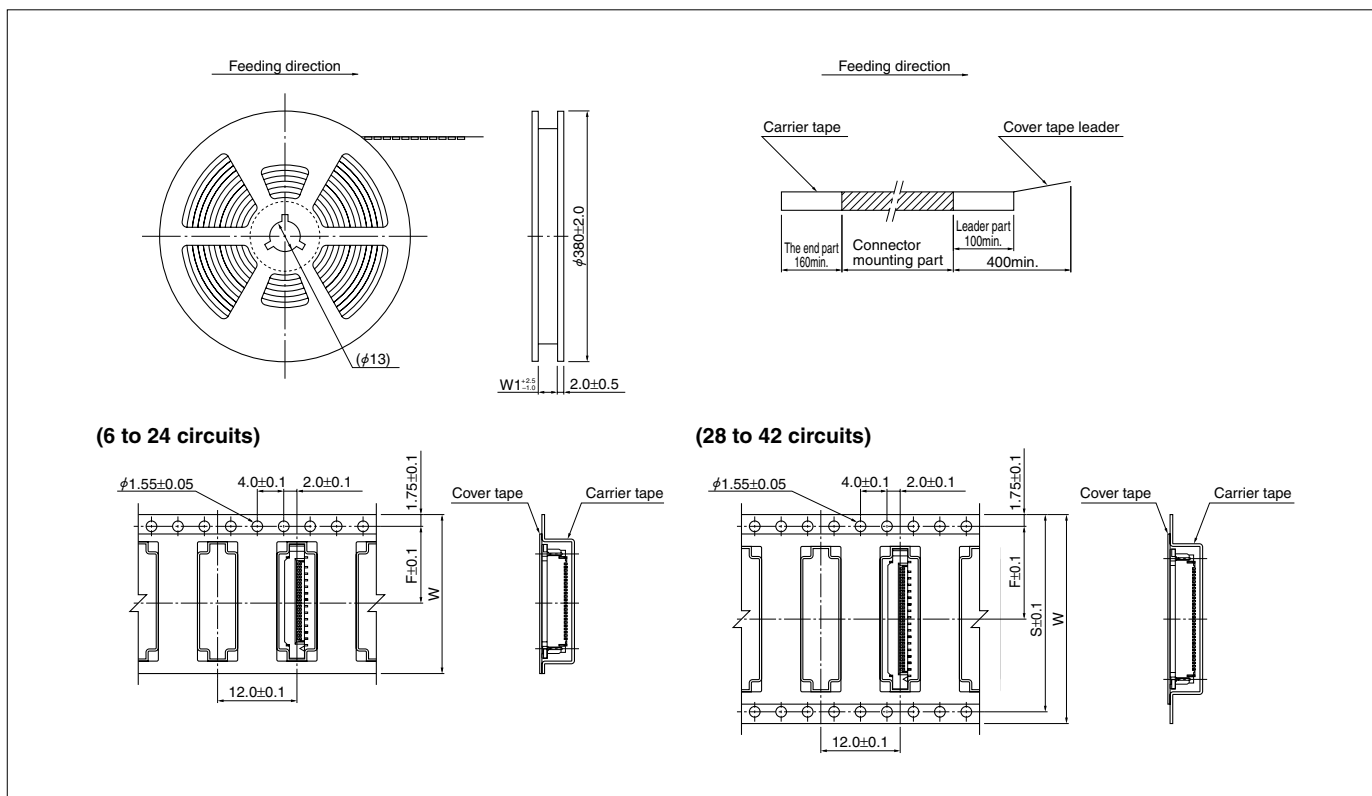
Lead section dimensions of FPC



Note: N---Number of circuits

FLZT CONNECTOR

Taping specifications



Circuits	Taping dimensions (mm)			Reel dimensions (mm)	Q'ty / reel
	F	S	W		
6 to 8	7.5	—	16	17.5	1,500
10 to 24	11.5	—	24	25.5	1,500
28 to 42	20.2	40.4	44	44.5	1,500

Note:

1. Specifications conform to JIS C 0806. The tape width, connector recess dimensions, etc. are determined by the number of circuits and external shape of the connector to be loaded.
2. Specifications are subject to change without prior notice.