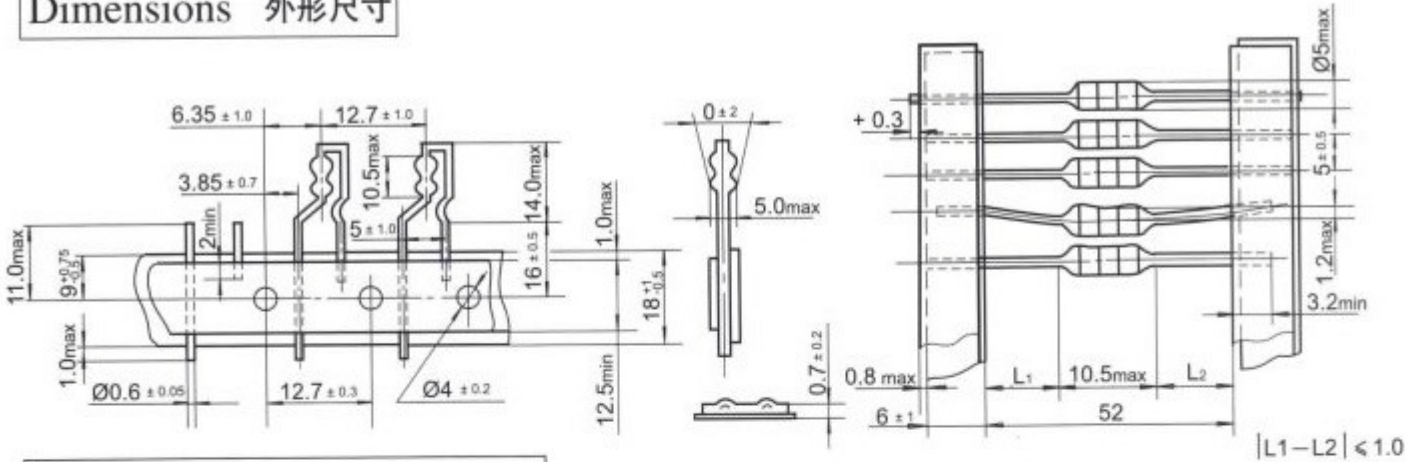




Dimensions 外形尺寸



Electrical properties 电气性能

Part NO. 型号	L (μ H)	TOL 允差	Q (min)	f_r (MHz) 测试频率	SRF(MHz) 自谐频率	$R_{DC}(\Omega)$ max 直流电阻	I_{DC} (mA) 额定电流
LGA0510 — 471	470	± 10%	60	0.796	1.9	7.70	126
LGA0510 — 561	560		50		1.8	8.50	120
LGA0510 — 681	680		55		1.5	9.00	113
LGA0510 — 821	820		45		1.2	10.5	105
LGA0510 — 102	1000		45		1.0	14.0	100
LGA0510 — 122	1200		40		0.95	16.9	95
LGA0510 — 152	1500		40		0.90	21.6	90
LGA0510 — 182	1800		40		0.85	24.0	85
LGA0510 — 222	2200		40		0.80	34.7	80
LGA0510 — 272	2700		40		0.75	40.0	75
LGA0510 — 332	3300	(K)	40	0.252	0.70	59.5	62
LGA0510 — 392	3900		40		0.65	66.0	59
LGA0510 — 472	4700		40		0.60	74.0	55
LGA0510 — 562	5600		30		0.50	80.0	40
LGA0510 — 682	6800		30		0.45	85.0	35
LGA0510 — 822	8200		30		0.40	95.0	30
LGA0510 — 103	10000		20		0.35	105.0	25

Test:

- * L、Q — HP4342A meter.
- * For special specifications please contact with us.
- * Specifications given here in may be changed at any time without prior notice please confirm specifications before your order or use.

测试仪器:

- * L、Q — HP4342A 测试仪
- * 对上列参数有不同要求的客户，敬请联系。
- * 本规格书所列参数如有更改，以订货时所提供的数据为准。