

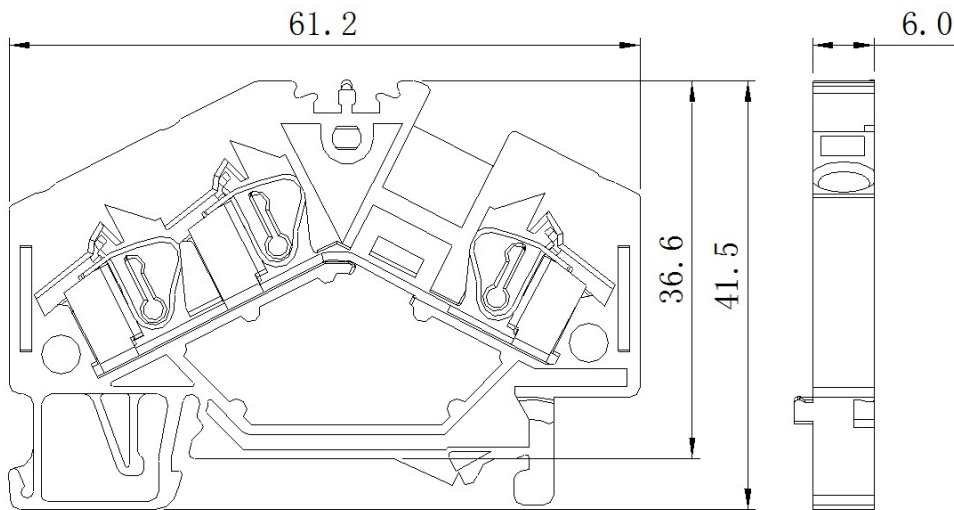
Category: 回拉式弹簧接线/Plug-in terminal-plug

Product name: 204961

Product Description: 6mm CE



### Product Picture



### 基本信息 /Basic Information

产品型号 SUPU ID	204961
宽度 Width	6mm
产品层数 Number of levels	1
接线位数 Number of connections	3
接线方式 Connection method	回拉式弹簧接线/Spring cage connection
防护等级 Protection Level	IP20

---

工作温度 Work temperature	-40~+105°C
--------------------------	------------

---

## IEC数据 /IEC Data

---

额定电流 Rated Current	32A
额定电压 Rated Voltage	800V
过压类别 Overvoltage category	III
污染等级 Pollution degree	3
额定冲击电压 Rated impulse voltage	8KV
刚性导线截面积 Conductor cross section solid	0.2-4mm <sup>2</sup>
柔性导线截面积 Conductor cross section flexible	0.2-4mm <sup>2</sup>
柔性导线截面积，带绝缘管套 Conductor cross section flexible,with furrule	0.2-2.5mm <sup>2</sup>
固定螺钉规格 Fixed Screw Specification	-
额定扭矩 Rated Torque	-
剥线长度 Stripping length	9-10mm

---

## UL数据 /UL Data

---

使用组别 Use group	B	C	D
额定电流 Rated Current	20A	20A	-
额定电压 Rated Voltage	600V	600V	
额定接线容量 Rated cross section	28-12AWG		

---

## 材料信息 /Material Data

---

绝缘材料 Insulation material	PA66
-----------------------------	------

---

绝缘材料组别 Insulation material group	I
阻燃等级, 符合UL94 Flame retardant grade, UL94 compliance	V0
导电体材料 Contact material	Copper alloy
导电体表面镀层 Surface characteristics	Sn,Plated

## 产品认证 /Product Certification

认证图标  
Certificate



UL证书号  
UL file No.

VDE证书号  
VDE No.

TUV证书号  
TUV No.

Ningbo Supu Electronics Co.,Ltd

Zip code: 315303

Fax: +86 574-63288170

E-mail : askme@supu.cn

Address: No. 625, Kandun Town Street, Cixi  
City, Zhejiang Province

Switchboard: +86 574-63288158

E-mail : askme@supu.cn

Service Hotline: 400-626-6336



Code

File date : 2024-09-13 13:01

Product Entry : 2023-09-07

The right to modify data belongs to  
Supu.