



PRODUCT INFORMATION

MATERIAL:

- Polycarbonate (Transparent) for G1901C, G1911C
- High impact ABS (UL94-HB) for G1901G , G1905, G1911G
- Flame retardant of ABS (UL94-V0) for G1903 , G1906 , G1908 & G1910

FEATURES:

- G1901G/G1901C, or G1911G/G1911C – Ideally design for usb type of memory card or wireless product use.
- G1903, G1906, G1908 & G1910 - Ideally design for electronic product use.
- G1905 – Utility box with external mounting bracket.

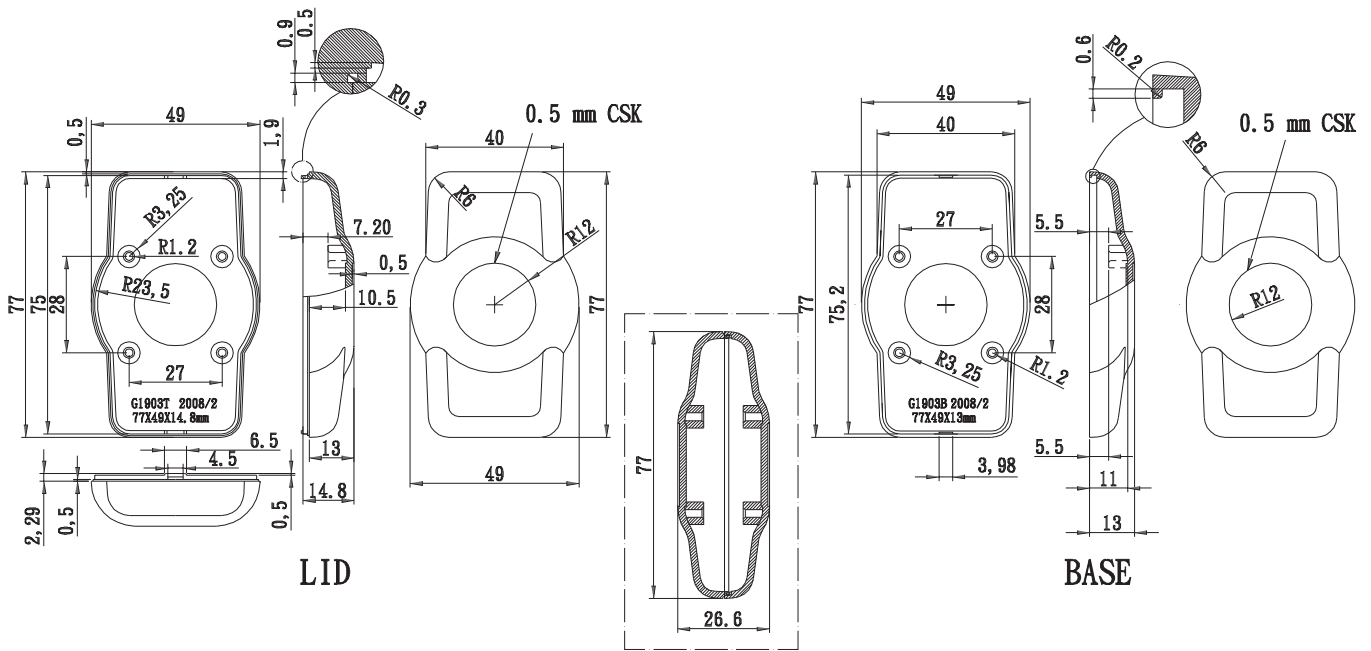
USB BOX

ITEM No.	EXTERNAL DIMENSION(MM)
G1901G	71 x 23 x 8.7
G1901C	71 x 23 x 8.7
NEW G1911G	51.5 x 18 x 8.5
NEW G1911C	51.5 x 18 x 8.5

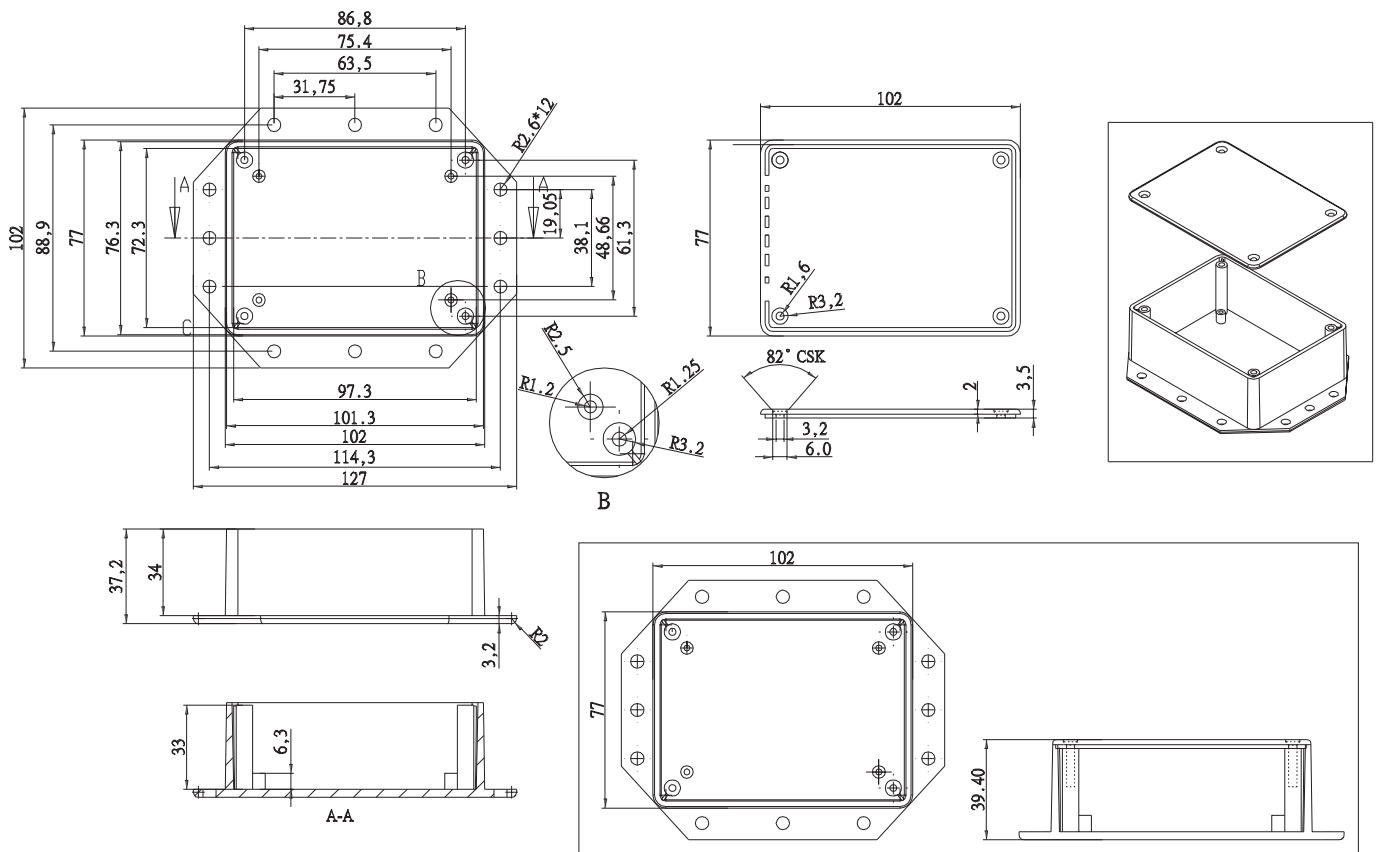
UTILITY BOX

ITEM No.	EXTERNAL DIMENSION(MM)
G1903	77 x 49 x 26.6
G1905	102 x 77 x 39.4
G1906	69.5 x 50.5 x 21
G1908	88.5 x 63 x 27.5
G1910	115 x 83 x 32

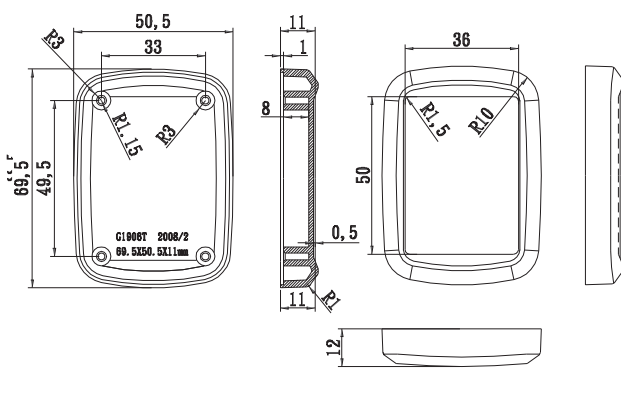
G1903



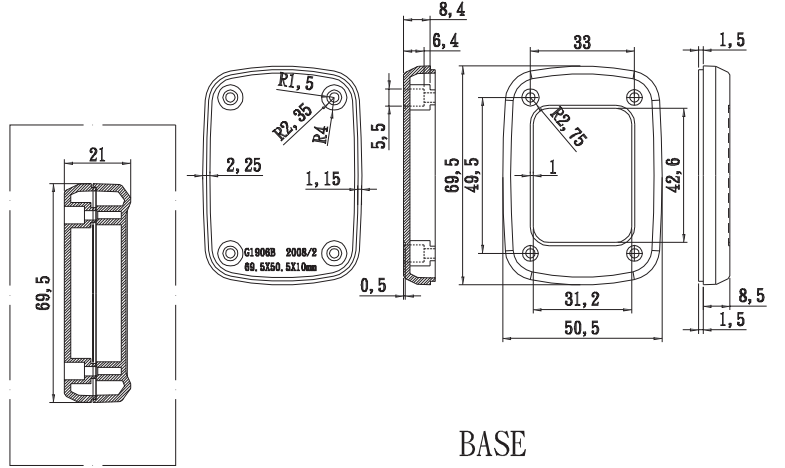
G1905



G1906

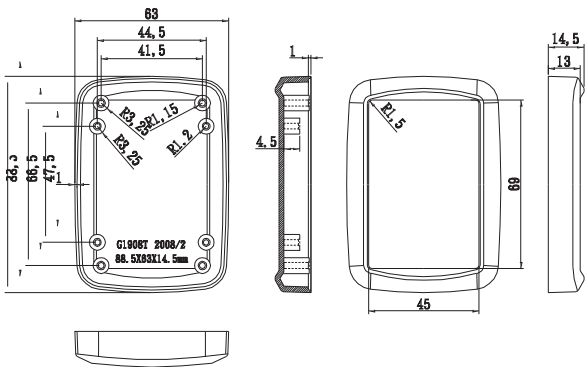


LID

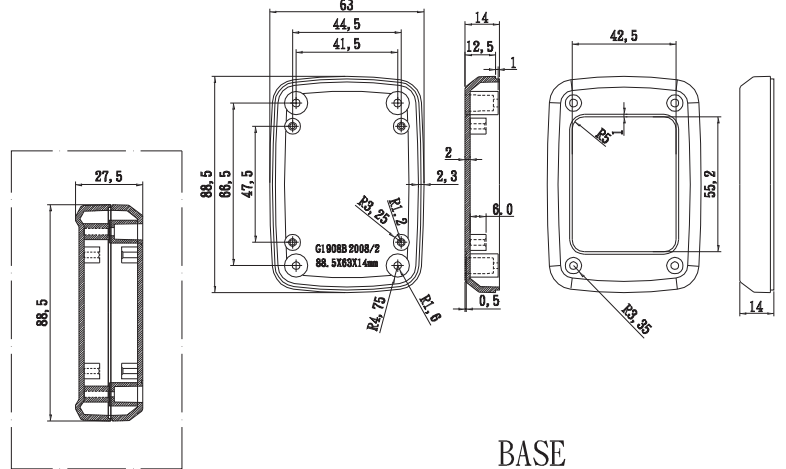


BASE

G1908

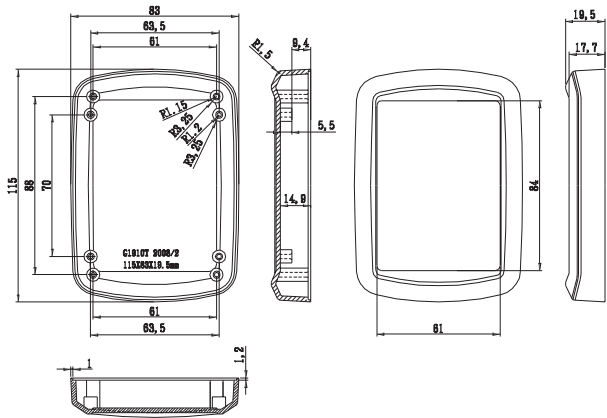


LID

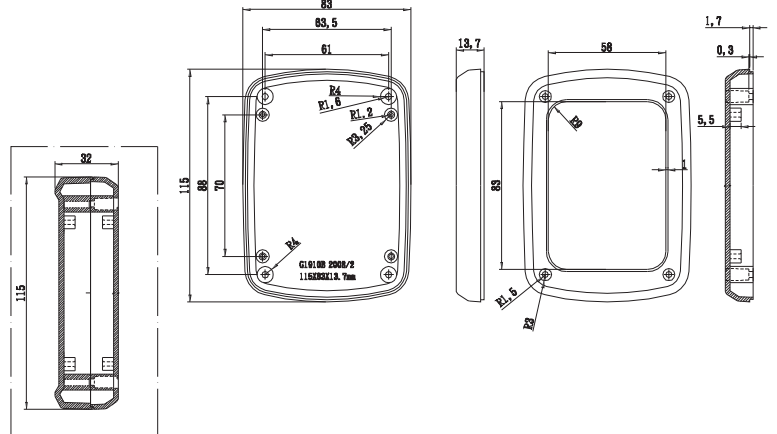


BASE

G1910



LID



BASE