

Data sheet

Commercial Art.No.: 96.022.4951.4

Connector RST20i2S S13ZASSVL BR0

RST20i3/2 connector, 2 pole, male, screw connection, application ~50V/-120V, 20A, for AS-i-profile-cable, coding color signal brown, color of housing black



Commercial Art.No.	96.022.4951.4
EAN	4015573972131
Order Unit	1

Certificates / Approvals



Technical data

General

Rated current	20 A
Rated voltage	50 V / 120 V
Rated impulse voltage	4 kV
strain relief	yes
Pollution degree	3
Lockable	self-locking (unlocking by tool)
Color of coding/ contact carrier	signal brown
Marking of poles	1, 2
Color of housing inclusive strain relief	black

Connection Data

Connection cross section solid mm ² max.	6 mm ²
Connection cross section solid mm ² min.	0.75 mm ²
Connection cross section solid AWG min.	16 AWG
Connection cross section solid AWG max.	10 AWG
Connection cross section fine stranded mm ² max.	6 mm ²
Connection cross section fine stranded mm ² min.	0.75 mm ²
Terminations per pole	1
Special cable geometry	AS-i profile cable
Connection cross section stranded mm ² min.	0.75 mm ²
Connection cross section stranded mm ² max.	6 mm ²
Connection cross section stranded AWG min.	16 AWG
Connection cross section stranded AWG max.	10 AWG
sheath strip length	26.5 mm
Wire strip length	8 mm

Model

Model	male
Connection type	screw connection
Degree of protection (IP)	IP66/68 (3m;2h) /IP69

Material

Housing material	Polyamide
halogen free	yes
Contact material	CuZn
Fire load	0.269 kWh
Insulation components continuous temperature	100 °C
Surface finish	Silver-plated

Dimensions

Length	79.1 mm
Width	34.6 mm
Height	34.6 mm

Classification

ECLASS 11	
ECLASS 8.1	27440605
ETIM 7.0	EC002560
ETIM 6.0	EC002560
ETIM 5.0	EC002560
ETIM 4.0	EC002560

Note

Note	RST® terminals with screw clamping allow the connection of conductors without special preparation (without ferrules) according to EN 60999-1.
------	---

Product compliance

ROHS conformity status	Compliant/Exempted
ROHS exceptions	III-6(c)
REACH-SVHC conformity status	Duty-To-Declare
REACH-SVHC substances	Lead
REACH-SVHC CAS numbers	7439-92-1

Accessories

Commercial Art.No.:	Article-type description:	Description:
05.564.4453.1	Cover for male connector SW	RST20i3/2 cover piece, for covering unused male connectors, color black
99.416.6205.2	Cover for male connector SW	RST20i3/2 cover piece, for covering unused male connectors, with fastening belt, color black

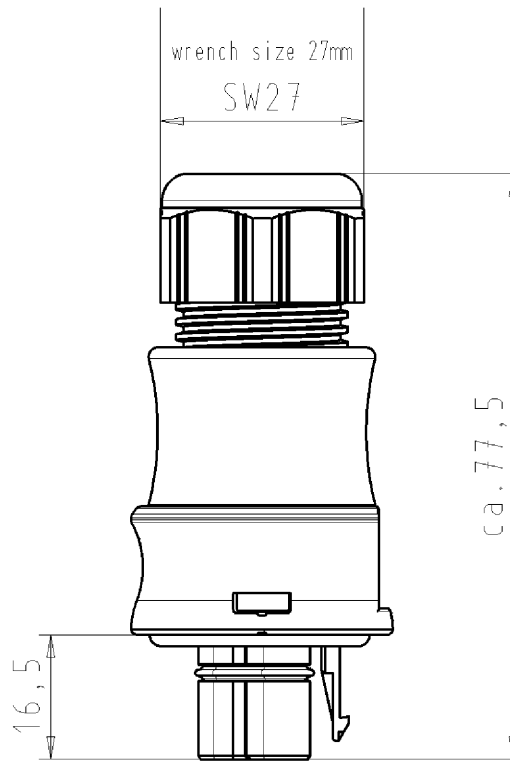
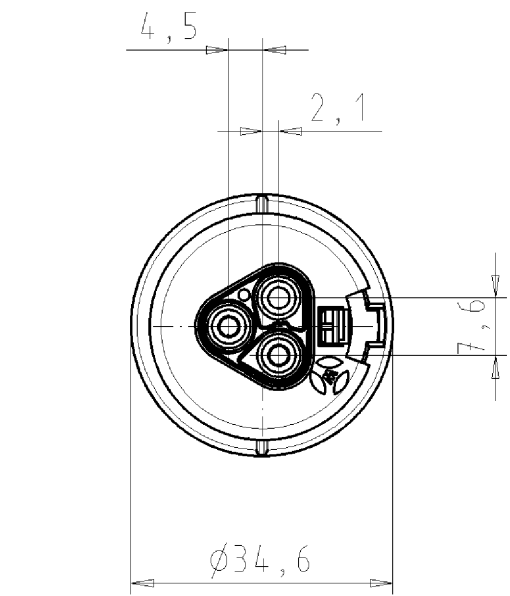
Fits with

Commercial Art.No.:	Article-type description:	Description:

96.020.0151.4	Distributor RST20I2V 3P1 F V L BR0	RST20i3/2 distribution block, 2 pole, application ~50V/-120V, 20A, 1 input and 3 outputs, with fastening option, coding color signal brown, color of housing signal brown
96.021.4951.4	Connector RST20I2S B13ZASS L BR0	RST20i3/2 connector, 2 pole, female, screw connection, application ~50V/-120V, 20A, for AS-i-profile-cable, coding color signal brown, color of housing black
96.023.4951.4	Connector RST20I2S B13YASS L BR01	RST20i3/2 connector (90° angled), 2 pole, female, screw connection, application ~50V/-120V, 20A, for AS-i-profile-cable, coding color signal brown, color of housing black

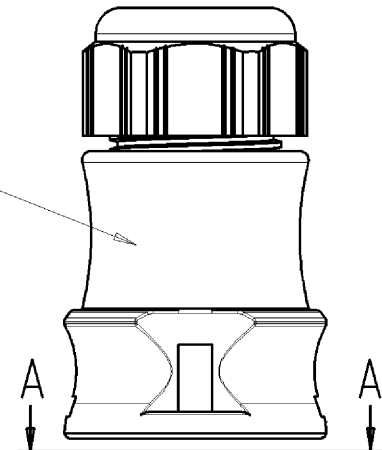
These dimensions will be especially checked at delivery
Only inspection dimensions
With /E marked dimensions are only valid for internal use

Diese Maße werden bei Abnahme besonders geprüft
Ausschließlich Prüfmaße
Mit /E gekennzeichnete Maße sind nur für interne Zwecke gültig

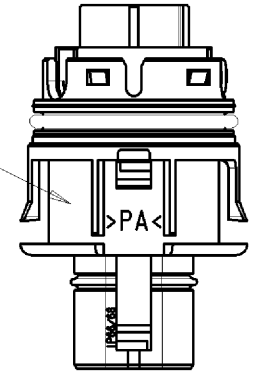


Auslieferungszustand
delivery status

for ASI-cable
für ASI-Leitung
Farbe: schwarz,
ähnl. RAL 9005
color: black,
similar to RAL 9005



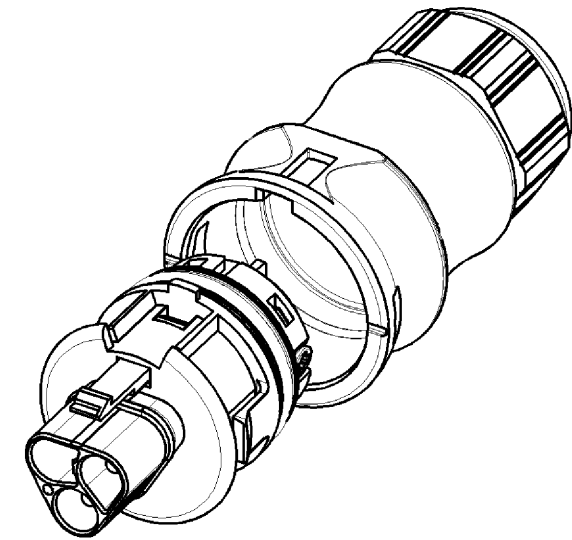
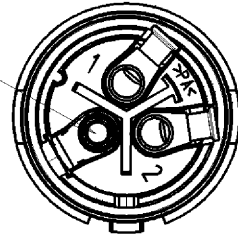
color: signal brown,
similar to RAL 8002
Farbe: signal braun,
ähnl. RAL 8002



Verpackungseinheit: je 100 Stück
packaging unit: per 100

A-A

pole
unassembled
Pol
unbestückt



Typ/type: RST2012S S13ZASSVL BR01

Tolerierung nach DIN 7167/Tolerance system acc. to DIN 7167. (This DIN-standard describes the envelope principle. According to the envelope principle the deviations of form and parallelism are limited by the size tolerances).				ja/yes <input checked="" type="checkbox"/> Stoffverbots- und Deklarationsliste nach UU-TQM-05/03 ist einzuhalten. Conformity with Wieland document UU-TQM-05/03 (list of prohibited / declarable hazardous substances) to be declared!			
Freitoleranz nach General tolerance		CAD - Zeichnung, keine manuellen Änderungen CAD - drawing, no manual modifications allowed		1. Verwendung: - First Use:		Blatt: 1 von 1 Sheet: of 1	
/		Werkstoff/Material		2007 Tag/Date Name		Zeichnung Nr./Drawing No.	
/				gezeichnet drawn 05.06. Winkler		96.022.4951.4 01K	
/ Maßstab/Scale				geprüft checked - -		Index	
/ 1:1				Nahgepr. Stand. check - -		Maße in mm/Dimensions are in mm	
/ Vol.		mm ³ Öl./Surf. mm ²		Ersatz für/Replacement for: -			
/		wieland		Type		Benennung/Title	
/		Elektrische Verbindungen				STECKERTEIL MIT ZUGENTLASTUNG	
Index Datum / Blatt Date / Sheet						male connector with cord grip	
Änderung/Revision						Schraubenschluss ohne Drahtschutz/screw-connection without wire protection	
						Kodierung 1 (50V/20A)	

Weitergabe sowie Vervielfältigung dieses Dokuments, Verwertung und Mitteilung seines Inhalts sind verboten, soweit nicht ausdrücklich gestattet.
The reproduction, distribution and utilization of this document as well as the communication of its contents to others without express authorization is prohibited.

960224951401K_4_CADW1025 Winkler 2007-06-06T08:54:25 1.000