

## Wire To Board Connector

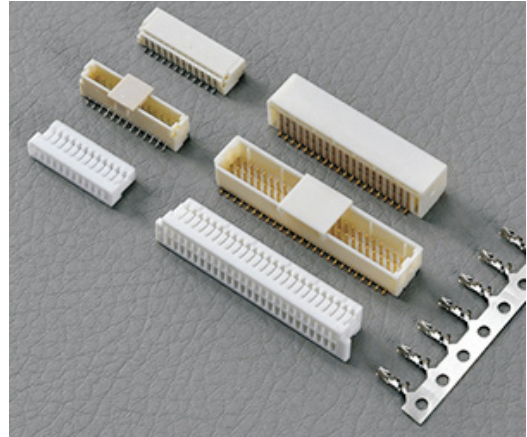
KLS1-XF1-1.00-T Terminal

**Electrical Specification:**

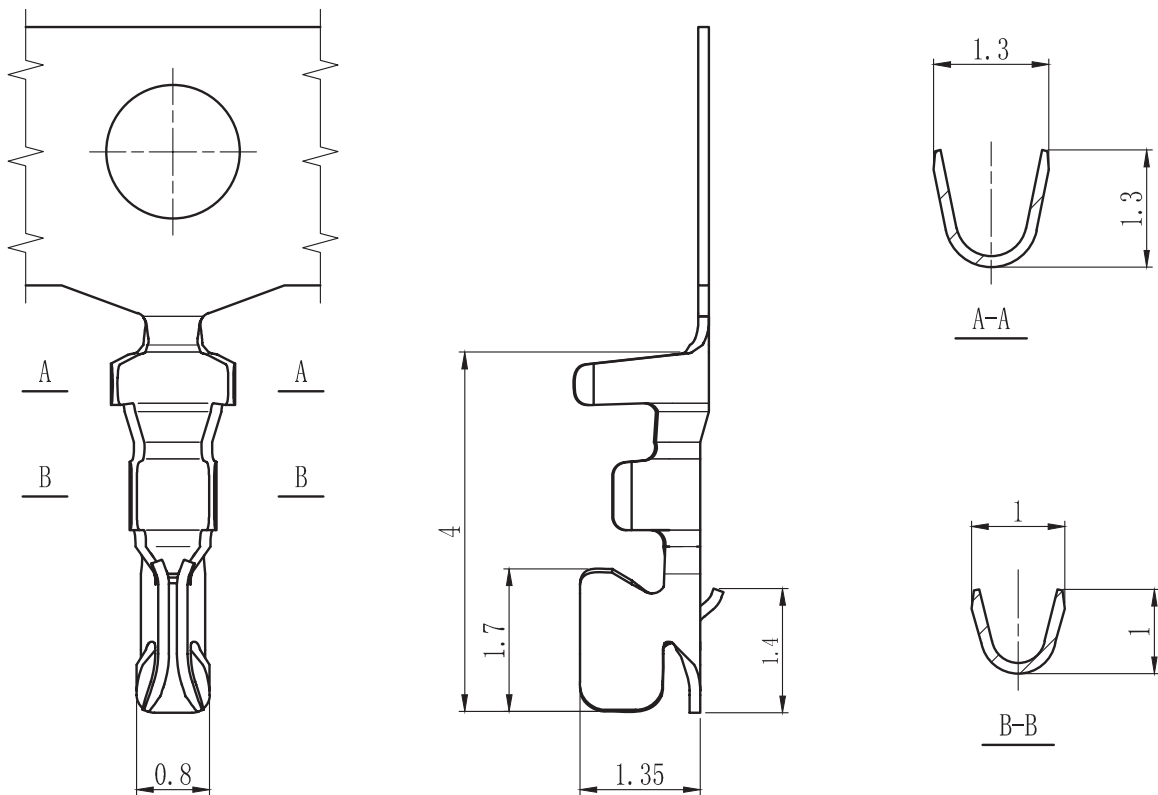
Voltage rating:50V AC, DC  
 Current rated:1.0A, AC, DC  
 Contact resistance:20m Max  
 Insulation resistance:100m min  
 Withstanding voltage:500V AC/minute  
 Applicable wire:AWG #32 to #28  
 Temperature range:-25 degrees C~+85 degrees C

**Material:**

Terminal:Phosphor bronze with tin plating



I



## ORDER INFORMATION

Product NO.: L-KLS1-XF1-1.00-T

Series No. \_\_\_\_\_ T = Terminal  
 Pitch: 1.00=1.00mm \_\_\_\_\_

## Wire To Board Connector

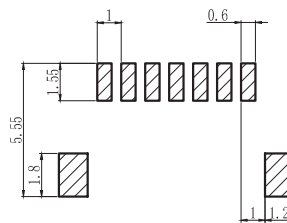
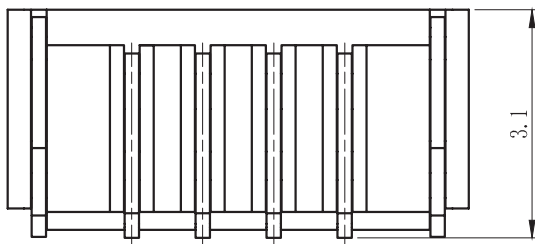
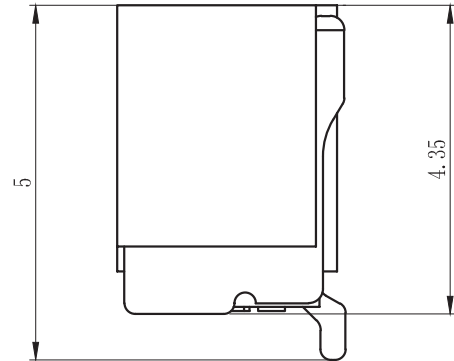
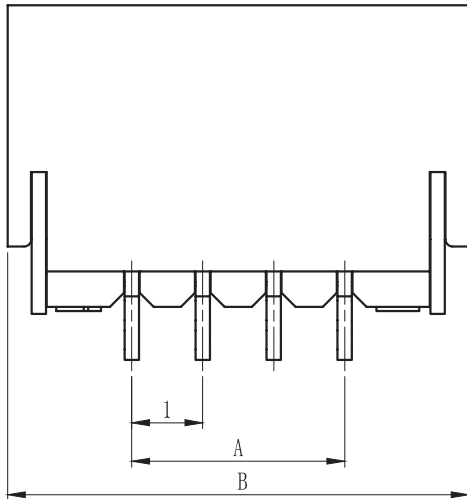
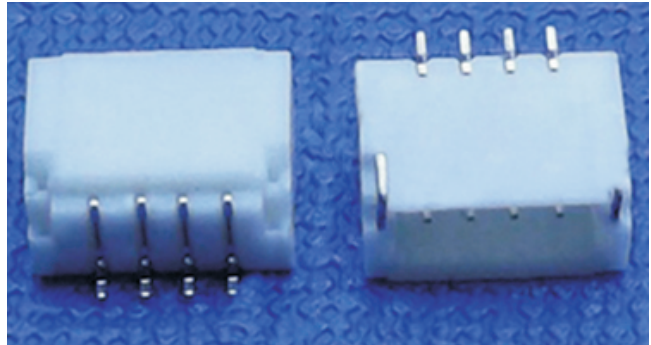
KLS1-XF1-1.00 Discrete Wire Connectors 1.00 mm smt 90

### Electrical Specification:

Voltage rating:50V AC, DC  
Current rated:1.0A, AC, DC  
Contact resistance:20m Max  
Insulation resistance:100m min  
Withstanding voltage:500V AC/minute  
Applicable wire:AWG #32 to #28  
Temperature range:-25 degrees C~+85 degrees C

### Material:

Pin:Brass Tin  
Soldering lug:Brass Tin  
Housing:LCP (UL94V-0), Natural

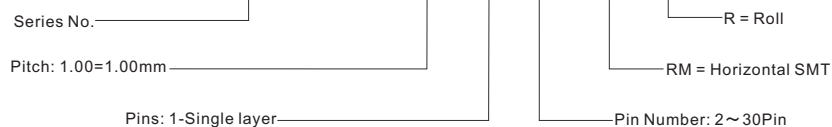


**PCB LAYOUT**

Poles	Dimensions mm	
	A	B
2	1.00	4.50
3	2.00	5.50
4	3.00	6.50
5	4.00	7.50
6	5.00	8.50
7	6.00	9.50
8	7.00	10.50
9	8.00	11.50
10	9.00	12.50
11	10.00	13.50
12	11.00	14.50
30	29.00	32.50

## ORDER INFORMATION

Product NO.: L-KLS1-XF1-1.00-1-04-RM-R



## Wire To Board Connector

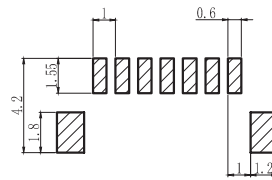
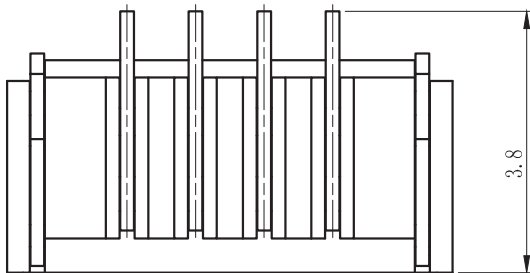
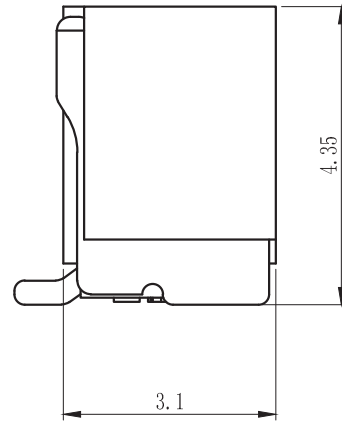
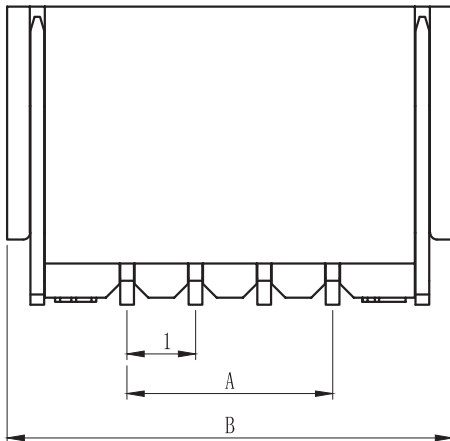
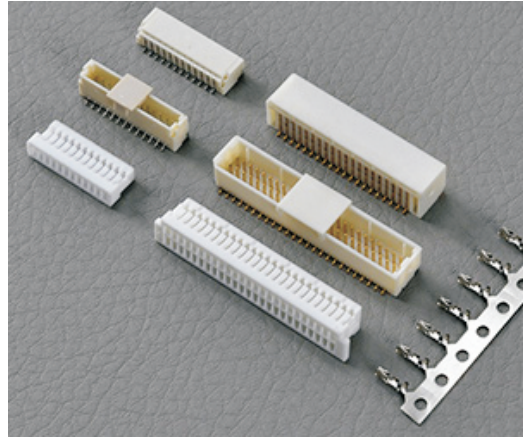
KLS1-XF1-1.00 Discrete Wire Connectors 1.00 mm smt 180

### Electrical Specification:

Voltage rating:50V AC, DC  
 Current rated:1.0A, AC, DC  
 Contact resistance:20m Max  
 Insulation resistance:100m min  
 Withstanding voltage:500V AC/minute  
 Applicable wire:AWG #32 to #28  
 Temperature range:-25 degrees C~+85 degrees C

### Material:

Pin:Brass Tin  
 Soldering lug:Brass Tin  
 Housing:LCP (UL94V-0), Natural

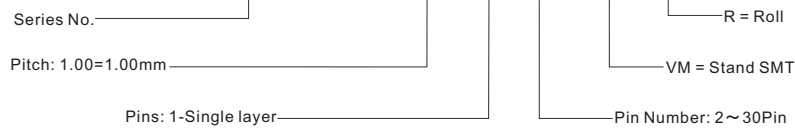


**P.C. BLAYOUT**

Poles	Dimensions mm	
	A	B
2	1.00	4.50
3	2.00	5.50
4	3.00	6.50
5	4.00	7.50
6	5.00	8.50
7	6.00	9.50
8	7.00	10.50
9	8.00	11.50
10	9.00	12.50
11	10.00	13.50
12	11.00	14.50
30	29.00	32.50

## ORDER INFORMATION

Product NO.: L-KLS1-XF1-1.00-1-04-VM-R



## Wire To Board Connector

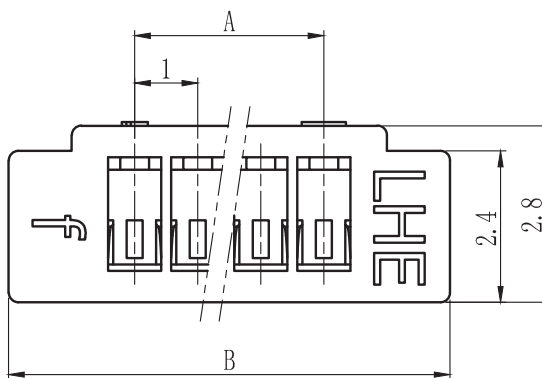
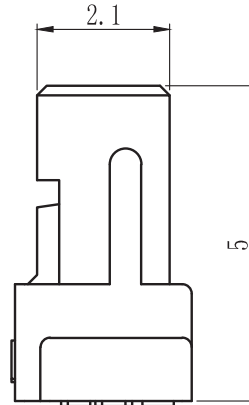
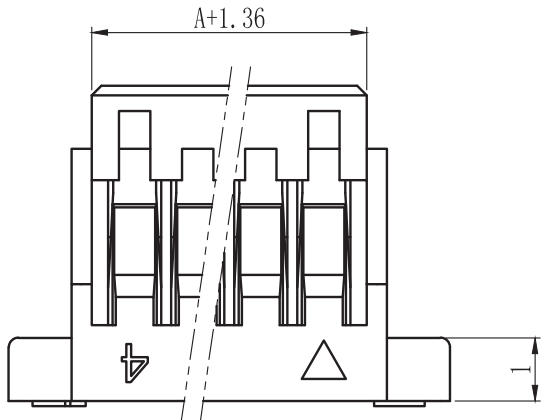
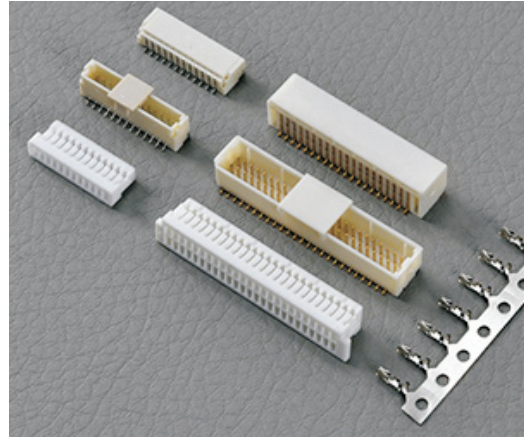
KLS1-XF1-1.00 Single layer Housing

### Electrical Specification:

Voltage rating: 50V AC, DC  
 Current rated: 1.0A, AC, DC  
 Contact resistance: 20m Max  
 Insulation resistance: 100m min  
 Withstanding voltage: 500V AC/minute  
 Applicable wire: AWG #32 to #28  
 Temperature range: -25 degrees C ~ +85 degrees C

### Material:

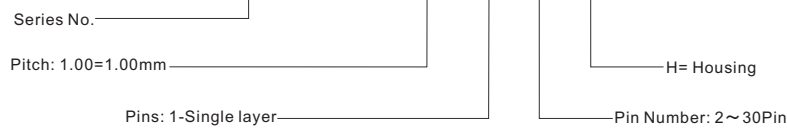
Pin: Brass Tin  
 Soldering lug: Brass Tin  
 Housing: LCP (UL94V-0), Natural



Poles	Dimensions mm	
	A	B
2	1.0	5.0
3	2.0	6.0
4	3.0	7.0
5	4.0	8.0
6	5.0	9.0
7	6.0	10.0
8	7.0	11.0
9	8.0	12.0
10	9.0	13.0
11	10.0	14.0
12	11.0	15.0
30	29.0	33.0

## ORDER INFORMATION

Product NO.: L-KLS1-XF1-1.00-1-04-H



## Wire To Board Connector

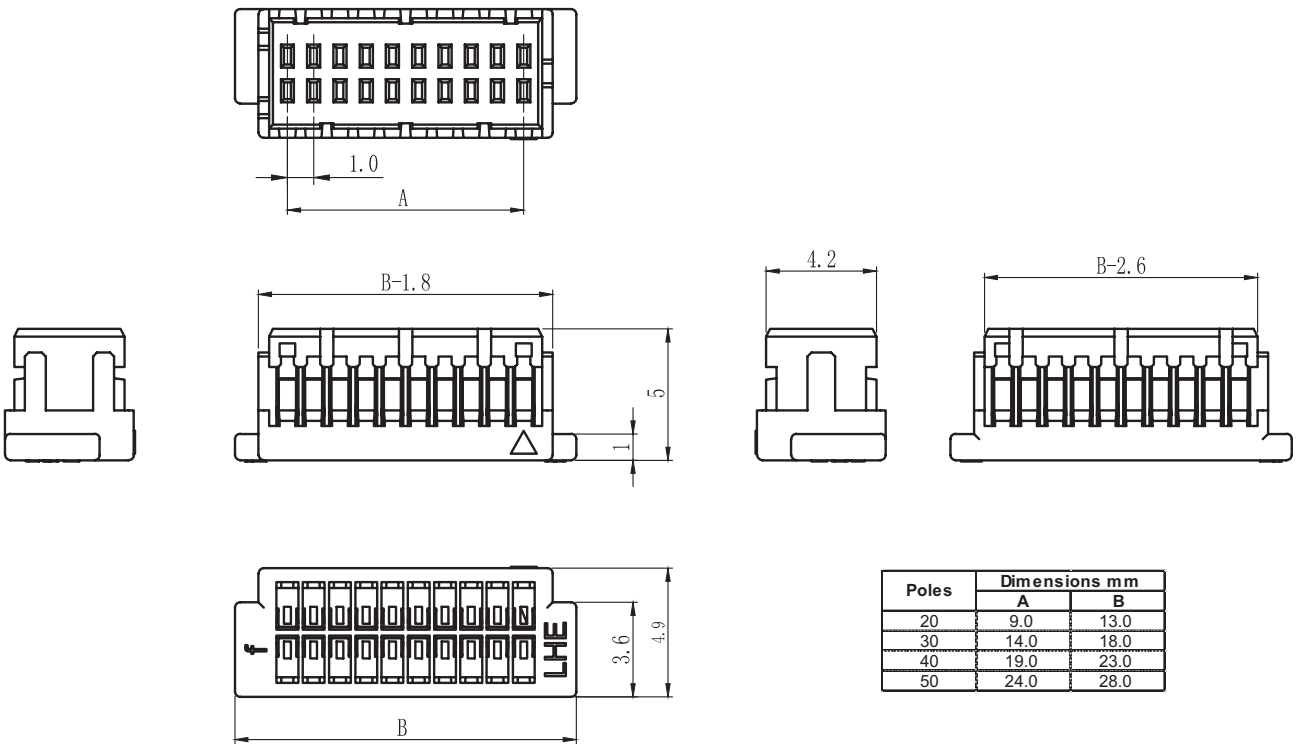
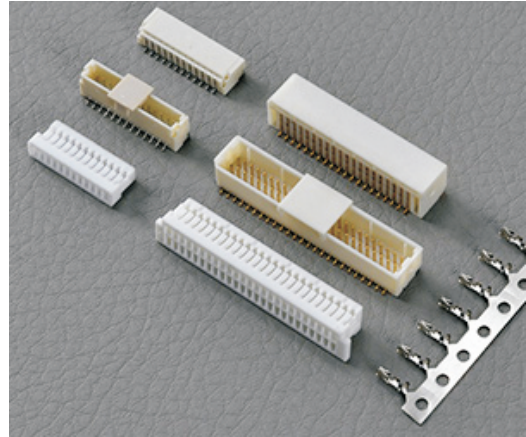
KLS1-XF1-1.00 Double layer Housing

**Electrical Specification:**

Voltage rating:50V AC, DC  
Current rated:1.0A, AC, DC  
Contact resistance:20m Max  
Insulation resistance:100m min  
Withstanding voltage:500V AC/minute  
Applicable wire:AWG #32 to #28  
Temperature range:-25 degrees C~+85 degrees C

**Material:**

Pin:Brass Tin  
Soldering lug:Brass Tin  
Housing:LCP (UL94V-0), Natural



## ORDER INFORMATION

Product NO.: L-KLS1-XF1-1.00-2-20-H

