

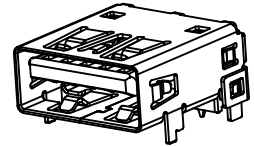
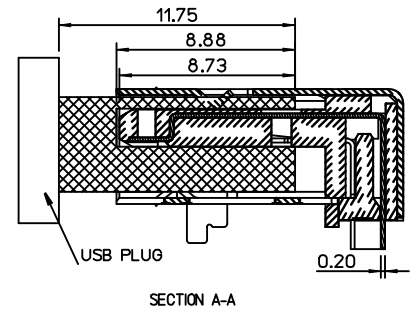
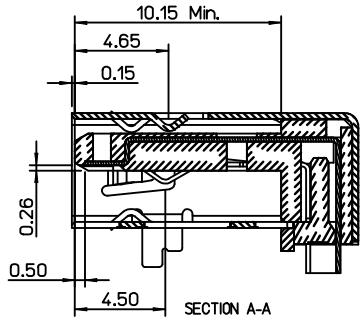
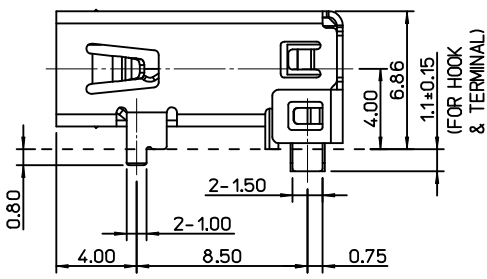
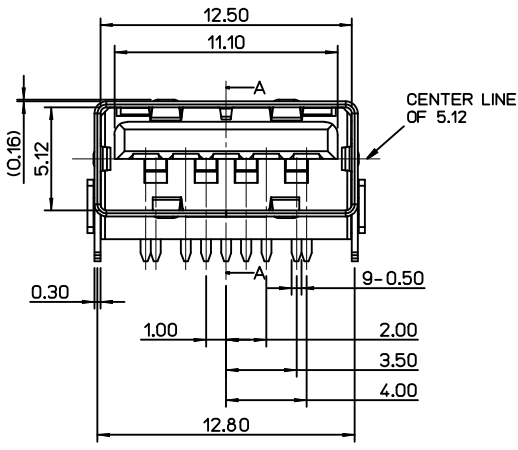
NOTES:
 1. MATERIAL:
 1.1 HOUSING: THERMOPLASTIC, HIGH TEMP., UL94V-0, COLOR:BLUE
 1.2 CONTACT: COPPER ALLOY
 1.3 SHELL: STAINLESS STEEL
 2. FINISH:
 2.1 CONTACT: PLS. SEE TABLE INFORMATION
 SOLDER TAIL PLATING: MATT TIN OVER NICKEL
 UNDERPLATING: NICKEL OVER ALL
 2.2 SHELL: NICKEL PLATING OVER ALL
 3. SPEC. PLS. REFER TO PS-48393-001
 4. PACKAGE PLS. REFER TO PK-48393-001
 5. LEAD FREE AND ROHS COMPLIANT PRODUCT
 6. DATE CODE

YEAR:1=2011 MONTH:A(JAN).B(FEB) DATE:8=08
 1 A 08 X X
 REMARK
 PRODUCE PLACE

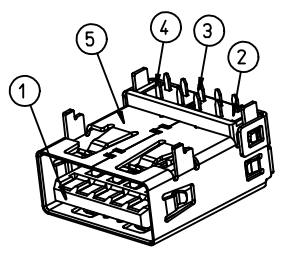
TABLE

PLATING	MOLEX P/N
30u GOLD	48393-0001
2u GOLD&30uPd-Ni	48393-0002
15u GOLD	48393-0003
GOLD FLASH(3u' MIN)	48393-0004

RECOMMEND PCB LAYOUT COMPONENT SIDE
 DEFAULT TOLERANCES ±0.05 P.C.B THICKNESS=1.20mm



5	METAL SHELL	STAINLESS STEEL
4	TERMINAL A	COPPER ALLOY
3	TERMINAL B	COPPER ALLOY
2	SPACER	THERMOPLASTIC
1	HOUSING	THERMOPLASTIC
No.	DESCRIPTION	MATERIAL



SHELL	SHIELD
9	STDA_SSTX+
8	STDA_SSTX-
7	GND_DRAIN
6	STDA_SSRX+
5	STDA_SSRX-
4	GND
3	D+
2	D-
1	VBUS
PIN NO.	SIGNAL NAME

RELEASE
 EC NO: DRWNFYANG05 2013/10/20
 CHKD: APPR:

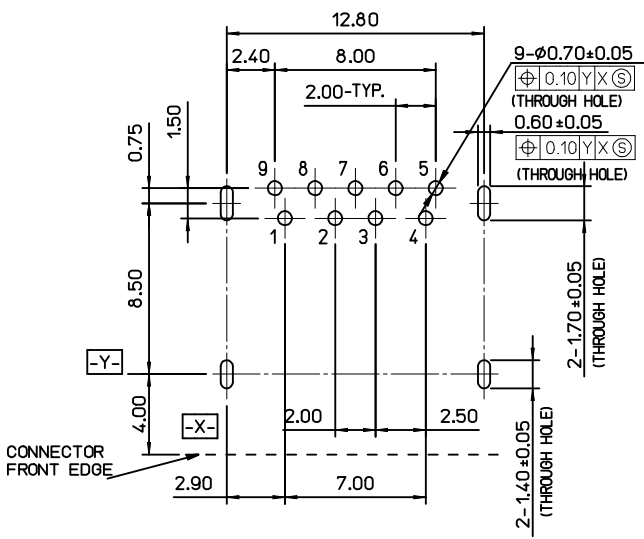
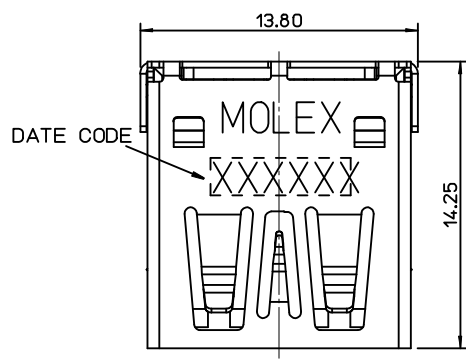
QUALITY SYMBOLS
 F=0
 F=0
 F=0
 ANGULAR±3°
 DRAFT WHERE APPLICABLE
 MUST REMAIN WITHIN DIMENSIONS

GENERAL TOLERANCES (UNLESS SPECIFIED)

	mm	INCH
4 PLACES	±	±
3 PLACES	±	±
2 PLACES	±0.25	±
1 PLACE	±0.25	±

 DIMENSION STYLE MM ONLY
 DRAWN BY SKQI DATE 2013/06/14
 CHECKED BY SAM DATE 2013/06/14
 APPROVED BY JASON DATE 2013/06/14
 MATERIAL NO. SEE TABLE

SCALE 1:1
 DESIGN UNITS METRIC
 THIRD ANGLE PROJECTION
 TITLE USB 3.0 NORMAL A TYPE R/A T/H CH=4.00mm
 MOLEX INCORPORATED
 DOCUMENT NO. SD-48393-001
 SHEET NO. 1 OF 1



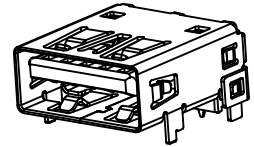
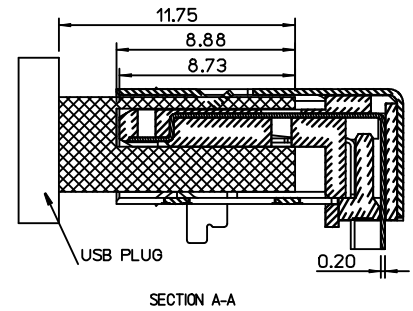
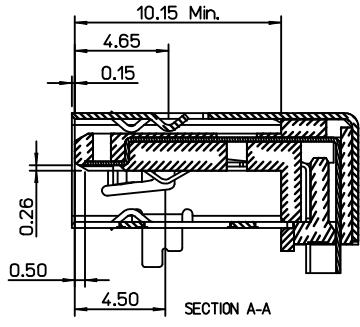
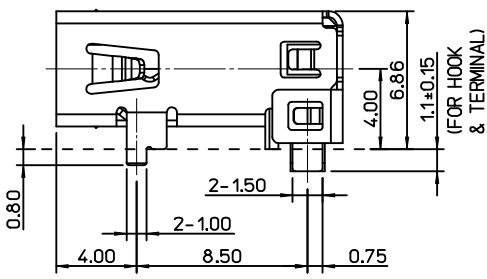
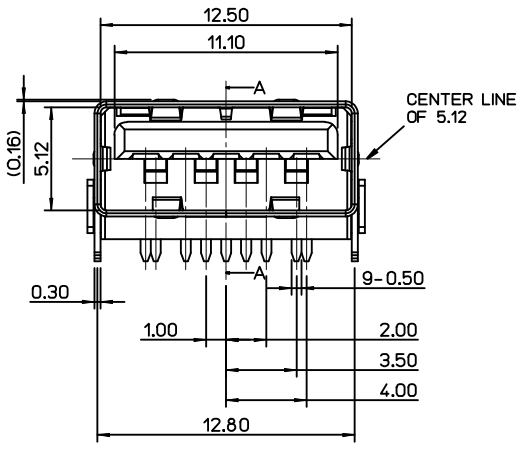
NOTES:
 1. MATERIAL:
 1.1 HOUSING: THERMOPLASTIC, HIGH TEMP., UL94V-0, COLOR:BLUE
 1.2 CONTACT: COPPER ALLOY
 1.3 SHELL: STAINLESS STEEL
 2. FINISH:
 2.1 CONTACT: PLS. SEE TABLE INFORMATION
 SOLDER TAIL PLATING: MATT TIN OVER NICKEL
 UNDERPLATING: NICKEL OVER ALL
 2.2 SHELL: NICKEL PLATING OVER ALL
 3. SPEC. PLS. REFER TO PS-48393-001
 4. PACKAGE PLS. REFER TO PK-48393-001
 5. LEAD FREE AND ROHS COMPLIANT PRODUCT
 6. DATE CODE

YEAR:1=2011 MONTH:A(JAN).B(FEB) DATE:8=08
 1 A 08 X X
 REMARK
 PRODUCE PLACE

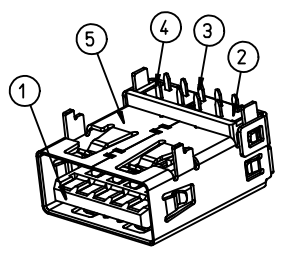
TABLE

PLATING	MOLEX P/N
30u GOLD	48393-0001
2u GOLD&30uPd-Ni	48393-0002
15u GOLD	48393-0003
GOLD FLASH(3u' MIN)	48393-0004

RECOMMEND PCB LAYOUT COMPONENT SIDE
 DEFAULT TOLERANCES ±0.05 P.C.B THICKNESS=1.20mm



5	METAL SHELL	STAINLESS STEEL
4	TERMINAL A	COPPER ALLOY
3	TERMINAL B	COPPER ALLOY
2	SPACER	THERMOPLASTIC
1	HOUSING	THERMOPLASTIC
No.	DESCRIPTION	MATERIAL



SHELL	SHIELD
9	STDA_SSTX+
8	STDA_SSTX-
7	GND_DRAIN
6	STDA_SSRX+
5	STDA_SSRX-
4	GND
3	D+
2	D-
1	VBUS
PIN NO.	SIGNAL NAME

RELEASE
 EC NO: DRWNFYANG05 2013/10/20
 CHKD: APPR:

QUALITY SYMBOLS
 F=0
 F=0
 F=0
 ANGULAR±3°
 DRAFT WHERE APPLICABLE
 MUST REMAIN WITHIN DIMENSIONS

GENERAL TOLERANCES (UNLESS SPECIFIED)

	mm	INCH
4 PLACES	±	±
3 PLACES	±	±
2 PLACES	±0.25	±
1 PLACE	±0.25	±

 DIMENSION STYLE MM ONLY
 DRAWN BY SKQI DATE 2013/06/14
 CHECKED BY SAM DATE 2013/06/14
 APPROVED BY JASON DATE 2013/06/14
 MATERIAL NO. SEE TABLE

SCALE 1:1
 DESIGN UNITS METRIC
 THIRD ANGLE PROJECTION
 TITLE USB 3.0 NORMAL A TYPE R/A T/H CH=4.00mm
 MOLEX INCORPORATED
 DOCUMENT NO. SD-48393-001 SHEET NO. 1 OF 1