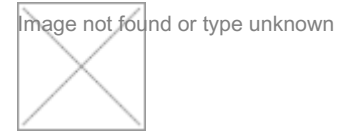


## Data sheet

Commercial Art.No.: 70.353.2435.3

Hood BAS GOT GA 24 M32 A3

Hood revos basic made of aluminum, for double locking lever or. screw cap with trumpet gland M32 on the right side (IP54), low version, 24-poles



Commercial Art.No.	70.353.2435.3
EAN	4015573643772
Order Unit	1

Certificates / Approvals



## Technical data

### General

Housing material	aluminum
Color	Grey
Surface	With powder coating
Degree of protection (IP)	IP54
UV resistant	yes
Inflammability class of insulation material acc. with UL94	Other
Operating temperature range min.	-40 °C
Operating temperature range max.	120 °C

### Model

Construction	24
Locking mechanism	Double locking levers
Cable entry	Sideways
Type of cable	Gland nut
With cable screw gland	yes
Thread size M	32
Thread size PG	
Hinged lid	No
EMC-version	No
Length	120 mm
Width	57 mm
Height	70 mm

### Classification

ECLASS 11	
ECLASS 8.1	27440202
ETIM 7.0	EC000437
ETIM 6.0	EC000437
ETIM 5.0	EC000437

### Product compliance

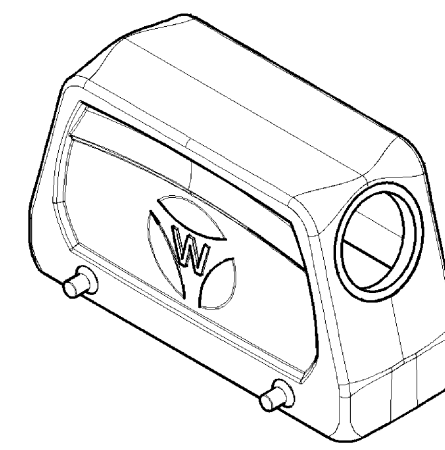
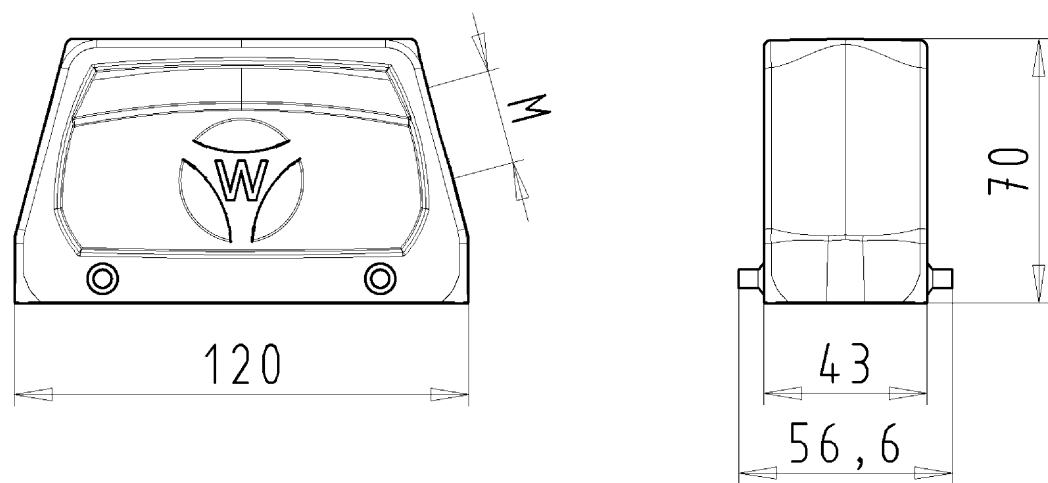
ROHS conformity status	Compliant/Exempted
------------------------	--------------------

ROHS exceptions	III-6(c)
REACH-SVHC conformity status	Duty-To-Declare
REACH-SVHC substances	Lead
REACH-SVHC CAS numbers	7439-92-1

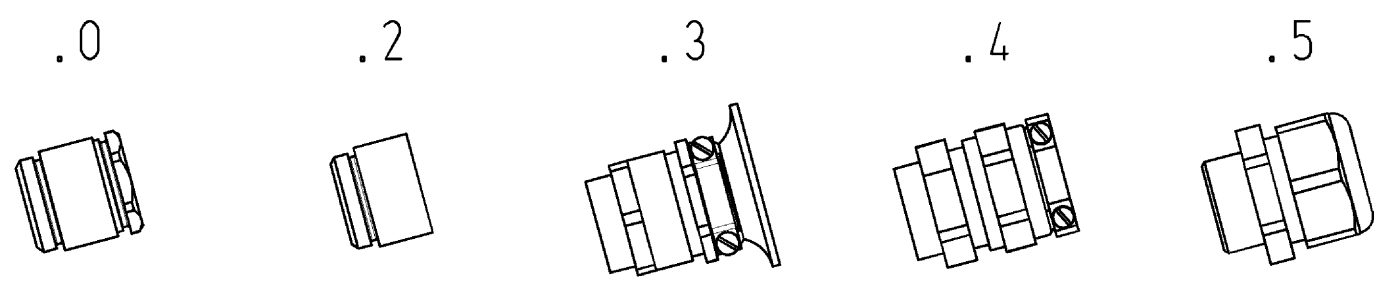
## Fits with

Commercial Art.No.:	Article-type description:	Description:
70.300.2440.0	Female insert BAS BUS 24 2,5 50	Female insert revos basic, 24-poles, rated current: 16A, rated voltage:500V, with tin-plated contacts
70.301.2440.0	Female insert BAS BUS 24 2,5 50 AU	Female insert revos basic, 24-poles, rated current: 16A, rated voltage:500V, with gold-plated contacts
70.302.2440.0	Female insert BAS BUS OD 24 2,5 50	Female insert revos basic, 24-poles, rated current: 16A, rated voltage:500V, with tin-plated contacts
70.310.2440.0	Male insert BAS STS 24 2,5 50	Male insert revos basic, 24-poles, rated current: 16A, rated voltage: 500V, with tin-plated contacts
70.311.2440.0	Male insert BAS STS 24 2,5 50 AU	Male insert revos basic, 24-poles, rated current: 16A, rated voltage: 500V, with gold-plated contacts
70.312.2440.0	Male insert BAS STS OD 24 2,5 50	Male insert revos basic, 24-poles, rated current: 16A, rated voltage: 500V, with tin-plated contacts
70.500.2453.0	Female insert BAS BUF 24 2,5 50	Female insert revos basic, 24-poles, rated current: 16A, rated voltage:500V, with silver-plated contacts
70.510.2453.0	Male insert BAS STF 24 2,5 50	Male insert revos basic, 24-poles, rated current: 16A, rated voltage: 500V, with tin-plated contacts
70.700.2458.0	Female insert BAS BUC 24 50	Female insert revos basic, 24-poles, rated current: 16A, rated voltage:500V, with tin-plated contacts
70.710.2458.0	Male insert BAS STC 24 50	Male insert revos basic, 24-poles, rated current: 16A, rated voltage: 500V, with tin-plated contacts
70.800.4656.0	Female insert BAS BUCK 46 50 PC	Female insert revos basic, 46-poles, polycarbonate insert, rated current: 16A, rated voltage: 500V, with gold-plated or silver-plated contacts
70.810.4656.0	Male insert BAS STCK 46 50	Male insert revos basic, 46-poles, rated current: 16A, rated voltage: 500V, with gold-plated or silver-plated contacts
70.400.1040.0	Female insert BAS BUS 10 2,5 64	Female insert revos basic, 10-poles, rated current: 16A, rated voltage:690V, with tin-plated contacts
70.410.1040.0	Male insert BAS STS 10 2,5 64	Male insert revos basic, 10-poles, rated current: 16A, rated voltage: 690V, with tin-plated contacts
70.400.1640.0	Female insert BAS BUS 16 2,5 64	Female insert revos basic, 16-poles, rated current: 16A, rated voltage:690V, with tin-plated contacts
70.410.1640.0	Male insert BAS STS 16 2,5 64	Male insert revos basic, 16-poles, rated current: 16A, rated voltage: 690V, with tin-plated contacts
72.300.2453.0	Female insert BAS BUS 24 2,5 69	Female insert revos basic, 24-poles, rated current: 16A, rated voltage:690V, with tin-plated contacts
72.310.2453.0	Male insert BAS STS 24 2,5 69	Male insert revos basic, 24-poles, rated current: 16A, rated voltage: 690V, with tin-plated contacts
72.700.2458.0	Female insert BAS BUC 24 69	Female insert revos basic, 24-poles, rated current: 16A, rated voltage:690V, with tin-plated contacts
72.710.2458.0	Male insert BAS STC 24 69	Male insert revos basic, 24-poles, rated current: 16A, rated voltage: 690V, with tin-plated contacts
73.800.0853.0	Female insert DD BUC 108 1,5 25	revos DD 108 pole + ground, female insert, 250V/10A, crimp connection
73.810.0853.0	Male insert DD STC 108 1,5 25	revos DD 108 pole + ground, male insert 250V/10A, crimp connection
70.405.2453.0	Female insert BAS BUP 24 2,5 50 AG	Female insert revos basic, 24-poles, rated current: 16A, rated voltage:500V, with silver-plated contacts

70.415.2453.0	Male insert BAS STP 24 2,5 50 AG	Male insert revos basic, 24-poles, rated current: 16A, rated voltage: 500V, with silver-plated contacts
72.206.1253.0	Female insert POW BUS 4/8 NL BB AG	
72.216.1253.0	Male insert POW STS 4/8 NL BB AG	



Varianten/ Variants



70.35 <sup>3</sup> <sub>0</sub> .2435.5	BAS GOT GA 24	M32 M25	A 5	Kabelverschraubung(KV), IP65 /Cable gland(CG), IP65	
70.35 <sup>3</sup> <sub>0</sub> .2435.4	BAS GOT GA 24	M32 M25	A 4	KV mit Zugentlastung, IP54 /CG with strain relief, IP54	
70.35 <sup>3</sup> <sub>0</sub> .2435.3	BAS GOT GA 24	M32 M25	A 3	KV mit Zugentlastung und Knickschutz, IP54 /CG with strain relief and bend support, IP54	
70.35 <sup>3</sup> <sub>0</sub> .2435.2	BAS GOT GA 24	M32 M25	A 2	Zwischenstützen /Bushing	
70.35 <sup>3</sup> <sub>0</sub> .2435.1	BAS GOT GA 24	M32 M25	A 1	Gewindebohrung /Thread hole	X
70.35 <sup>3</sup> <sub>0</sub> .2435.0	BAS GOT GA 24	M32 M25	A 0	Kabelverschraubung(KV), IP54 /Cable gland(CG), IP54	

Bestellnummer /Order number	Typ /Type	Varianten /Variants	der- gestellt /drawn
Weitere Daten siehe KATALOG oder eKatalog. Additional data see CATALOG or eCatalog.		www.wieland-electric.com eshop.wieland-electric.com	

Tolerierung Size ISO 14405(☐)/Tolerance system Size ISO 14405(☐).  
(This ISO-standard describes the envelope principle. According to the envelope principle the deviations of form and parallelism are limited by the size tolerances).

ja/yes  Stoffverbots- und Deklarationsliste nach UU-TOM-05/03 ist einzuhalten.  
Conformity with Wieland document UU-TOM-05/03 (list of prohibited / declarable hazardous substances) to be declared!

Freitoleranz nach General tolerance		CAD - Zeichnung, keine manuellen Änderungen CAD - drawing, no manual modifications allowed		1. Verwendung: - First Use:		Blatt: 1 von 1 Sheet: of 1	
	/	Werkstoff/Material Aluminium beschichtet/ coated grau/ grey	2013	Tag/Date	Name	T	Zeichnung Nr./Drawing No. 70.350.2435.0 13K
	/		gezeichnet drawn	21.08.	Treschan		
	/		geprüft checked	-	-		
	/	Maßstab/Scale 1:2	Normgepr. Stand. check	-	-	Maße in mm/Dimensions are in mm	
	/	Vol. mm <sup>3</sup>	Ofl./Surf. mm <sup>2</sup>	Ersatz für/Replacement for: -			
	/	wieland		Type	Benennung/Tittle		
	/	Elektrische Verbindungen		revos	GEHAEUSEBERTE IL		
Index	Datum / Blatt Date / Sheet			BASIC	Baugröße 24-Kabelabgang seitlich-M25/M32 Hood size 24-cable outlet side-M25/M32		
Änderung/Revision							

These dimensions will be especially checked at delivery  
Only inspection dimensions  
With /E marked dimensions are only valid for internal use

Diese Maße werden bei Abnahme besonders geprüft  
Ausschließlich Prüfmaße  
Mit /E gekennzeichnete Maße sind nur für interne Zwecke gültig

Weitergabe sowie Vervielfältigung dieses Dokuments, Verwertung und Mitteilung seines Inhalts sind verboten, soweit nicht ausdrücklich gestattet.  
The reproduction, distribution and utilization of this document as well as the communication of its contents to others without express authorization is prohibited.

703502435013K\_2 CADW3026 Treschan 2013-09-201084922 1.000