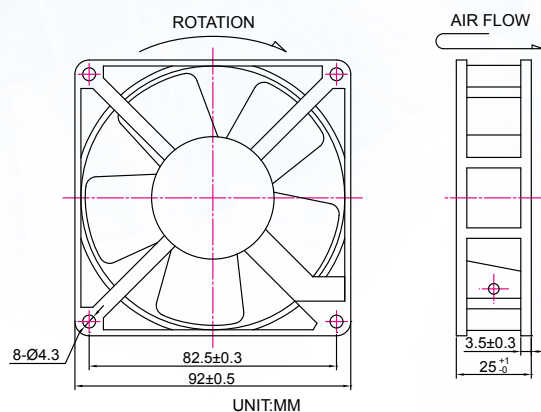


9225 【92x92x25 mm】



AC Fan Series

Dimensions Drawing



Specifications

Model	Bearing Type	Rated Voltage	Frequency	Rated Current	Power Consumption	Speed Reference	Air Flow		Static Pressure		Noise	Weight
		VAC	Hz	AMP	Watts	RPM	m3/min	CFM	mmH2O	Inch-H2O	dBA	g
EC9225A1HBX	Ball	115	60	0.16	13	2200	1.05	37	3.7	0.146	32	280
EC9225A1HSX	Sleeve											
EC9225A2HBX	Ball	220/240	50	0.07	13	2500	1.10	38	3.8	0.15	35	280
EC9225A2HSX	Sleeve											

- ▶ X mean : T-Terminal / L - Lead wire
- ▶ Frequency(Hz) : 50 / 60
- ▶ Insulation Resistance : AC 1500V-100MΩ
- ▶ Resist Strength : 1500V/min