

RECOMMENDED PCB LAYOUT
TOLERANCES: G±0.05mm

MATERIALS

1. HOUSING : HI.-TEMP PLASTIC (UL 94V-0).BLACK.
2. TERMINAL : COPPER ALLOY.
GOLD PLATED OVERALL (T=0.15).
3. FORK : STAINLESS STEEL. (t=0.20mm)
TIN PLATED OVERALL.
- 4.SHELL : STAINLESS STEEL (t=0.20mm)

SPECIFICATION

1. CURRENT RATING : 0.5 A MAX.
2. DIELECTRIC WITHSTANDING VOLTAGE :
500V AC R.M.S. FOR ONE MINUTE.
3. INSULATION RESISTANCE : 1000MΩ MIN. AT 500V DC.
4. CONTACT RESISTANCE : 30mΩ MAX.
5. OPERATING TEMPERATURE : -25°C TO +85°C.

112C-T X A R-R02
1 2 3 4

- 1.Type
T:Top mount
- 2.Contact plating
B:10u"gold plating
D:Gold Flash
- 3.Stand off Dimention
A:0mm
- 4.RoHS

PIN NO.	NAME	TYPE ¹	DESCRIPTION
1	DAT2	I/O/PP	Data Line [bit2]
2	CD/DAT3	I/O/PP	Card Detect Data Line [bit3]
3	CMD	PP	Command Response
4	VDD	S	Supply Votage
5	CLK	I	Clock
6	VSS	S	Supply Voltage Ground
7	DAT0	I/O/PP	Data Line [bit0]
8	DAT1 ²	I/O/PP	Data Line [bit1]

UNLESS OTHERWISE SPECIFIED TOLERANCE
ANG. ±5°
0. ±
.0 ±0.25
.00 ±0.20

SCALE: AS SHOWN UNIT: mm
DRAWN: Willis 2009/01/06
CHECKED: / /
APPROVED: / /

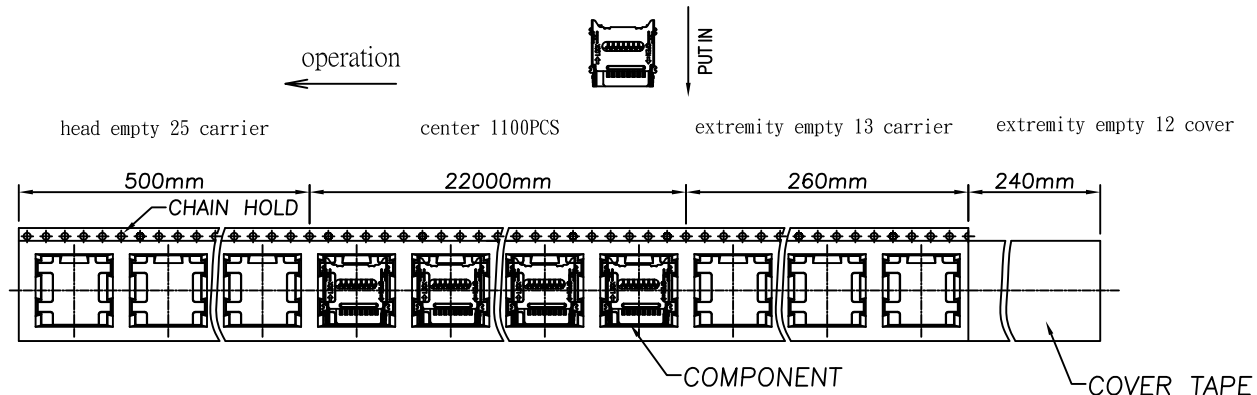


DRAWN NAME: Micro SD Socket
Hinge Type
PRODUCT NO. 112C-TXAR-R02
FILE NAME: 112C-TXAR-R02

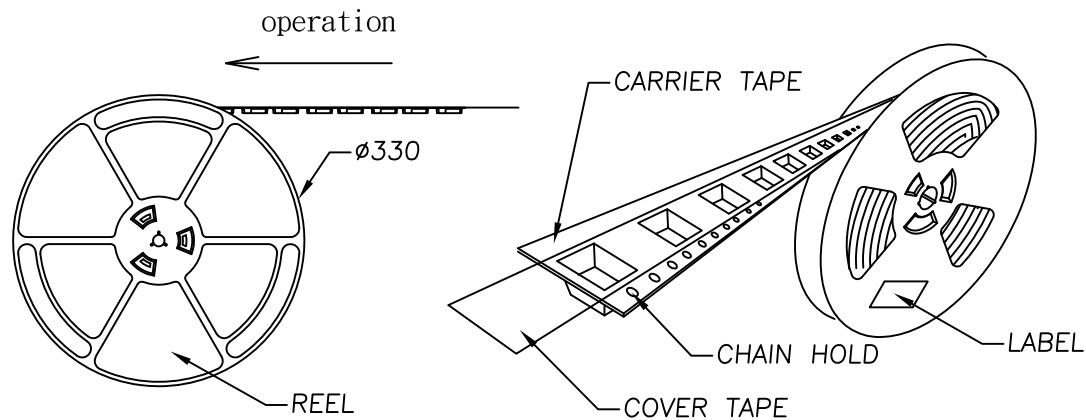
REV.	DESCRIPTION	DATE
1		
2		
3		
4		
5		
6		
7		

SIZE A4 REV.

- 1.1 PUT PRODUCT IN COMPONENT AREA , AS DRAWING.
 1.2 IT'S SURE TO PUT BOTH OF SMT SURFACE OR POST TOWARD THE BOTTOM OF CARRIER AND REVIEW ALL COMPONENTS KEEP THE SAME WAY.



- 2.1 IT MAKES A HEAT SEAL BETWEEN CARRIER AND COVER TAPE , THEN USE THE TAPE TO STICK THE END OF CARRIER BELT ONTO THE HUB OF REEL , AS WELL NOTICE THE ORIENTATION OF COVER TAPE SHOULD KEEP UPWARD.
 2.2 STICK A LABEL ONTO THE OUTSIDE OF REEL NEARBY POINT "START".
 2.3 IT ONLY CAN USE THE MATERIAL OF CARRIER UNDER STANDARD PACKAGE WITHOUT FAIL (PACKING Q'TY SEE ATTACHMENT) , ABSOLUTELY AVOID OVERLAP.
 2.4 COVER TAPE SHOULD KEEP THE SAME NOTICE OF AVOIDING OVERLAP AND END UP TO USE THE TAPE FOR STICKING AS START POINT.



1. THE CARRIER TAPE=22.76M/REEL , W=24mm , P=20mm
 2. THE COVER TAPE=300M/REEL

UNLESS OTHERWISE SPECIFIED TOLERANCE	
ANG.	±5°
0.	±0.3
.0	±0.25
.00	±0.20

SCALE: AS SHOWN UNIT: mm

DRAWN Willis 2008/4/23

CHECKED / /

APPROVED / /

SIZE A4 REV.



ATTEND TECHNOLOGY INC.

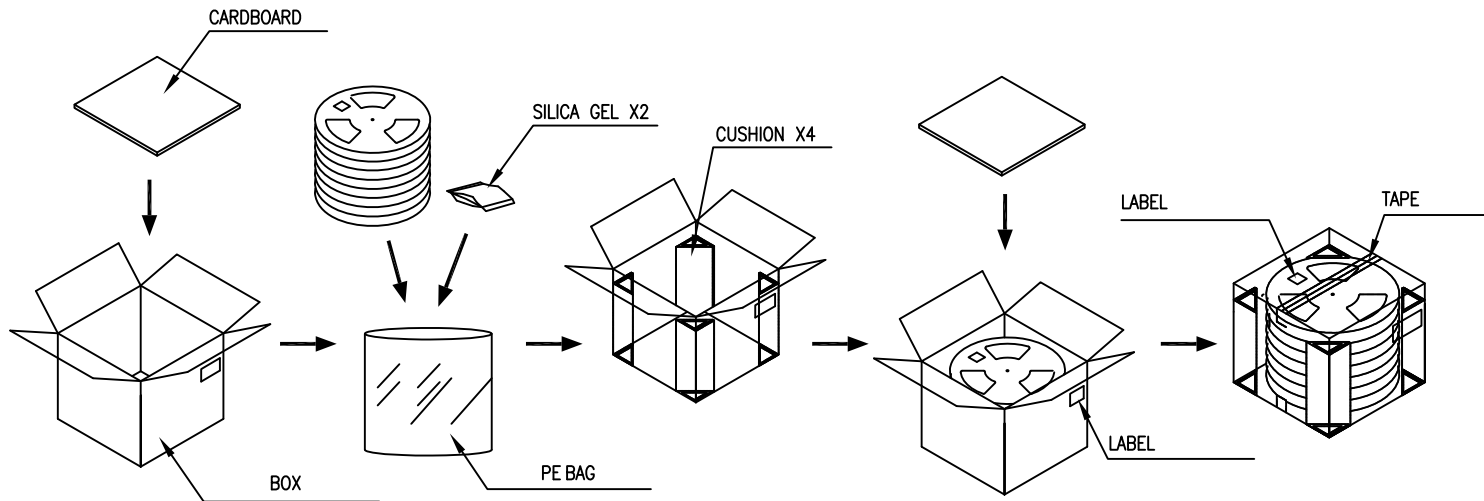
www.attend.com.tw

DRAWN NAME: Micro SD Socket Hinge Type Packing Drawing

PRODUCT NO. 112C-TXAR-R02


FILE NAME: 112C-TXAR-R02

REV.	DESCRIPTION	DATE	SIZE	REV.
1			A4	

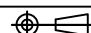


PACKING M'TL PARTS FOR LIST (FOR 1 BOX)			PRODUCT NO.	PACKING CAPACITY		WEIGHT		
PART NAME	N.W (g)	Q'TY		PCS/REEL	REEL/BOX	BOX/CARTON	N.W (Kg)	G.W (Kg)
			112C-TXAR-R02	1100	10		10.95	
COMPONENT	4950	11000						
BOX	640	1						
REEL	2960.5	10						
CARRIER TAPE	1478.5	10 REEL						
COVER TAPE(HA)	331.8	0.77 REEL						
P.E. BAG	78.5	1						
CARDBOARD	140.6	2						
LABEL	10.1	10						
CUSHION	330.8	4						
SILICA GEL	23	2						

- 3.1 KEEP EACH REEL WITH A LABEL UPWARD.
- 3.2 PUT 1 PIECE OF CARDBOARD ON THE BOTTOM OF BOX.
- 3.3 PUT THE REEL ALONG WITH SILICAGEL INTO P.E BAG AND PACK WITH ONE BOX. (PACKING Q'TY SEE ATTACHMENT)
- 3.4 PUT ONE PIECE OF TRIANGLE CUSHION ON EACH CORNER. (TOTAL 4 PCS OF CUSHION)
- 3.5 PUT 1 PIECE OF CARDBOARD ON THE TOP OF BOX.
- 3.6 PACK AND SEAL WITH THE TAPE ON THE BOX AND STICK A LABEL.

UNLESS OTHERWISE SPECIFIED TOLERANCE		 ATTEND TECHNOLOGY INC. www.attend.com.tw
ANG.	±5°	
0.	±0.3	
.0	±0.25	
.00	±0.20	
SCALE: AS SHOWN	UNIT: mm	
DRAWN Willis	2008/4/23	DRAWN NAME: Micro SD Socket Hinge Type Packing Drawing
CHECKED / /		
APPROVED / /		PRODUCT NO. 112C-TXAR-R02
REV.		FILE NAME: 112C-TXAR-R02

REV.	DESCRIPTION	DATE
1		
2		
3		
4		
5		
6		
7		


 SIZE A4