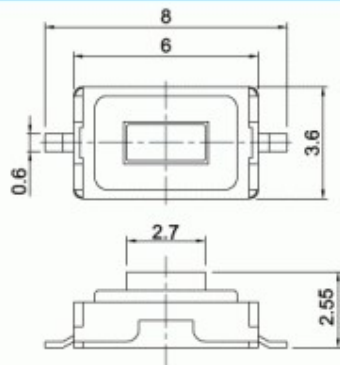
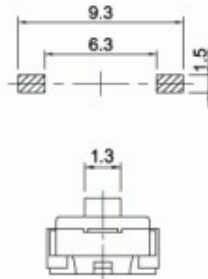


SMD, DIP Type Tact Switches



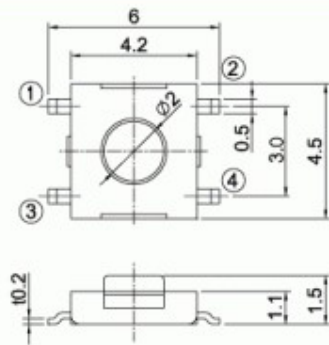
P.C.B. LAYOUT



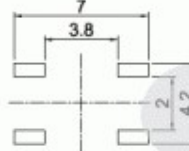
CIRCUIT DIAGRAM



Rating : 50mA 12V DC Max.
 Travel : 0.25±0.1mm.
 Contact resistance : 100mΩ Max.
 Operating force : 160±30g.
 250, 500 ±50g.
 Life : 160g : 50,000 Cycles Min.
 250g, 500g : 30,000 Cycles Min.
 Packing : 3,000pcs/reel.



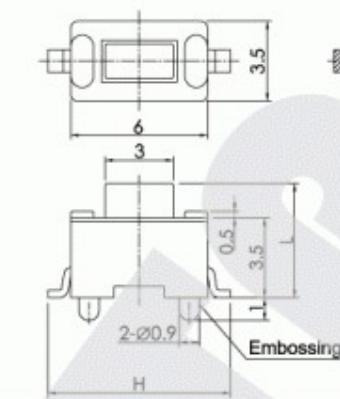
P.C.B. LAYOUT



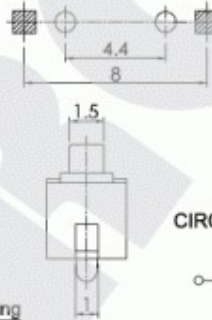
CIRCUIT DIAGRAM



Rating : 50mA 12V DC Max.
 Circuit : SPST.
 Travel : 0.2±0.1mm.
 Contact resistance : 100mΩ Max.
 Operating force : 160, 250±50g.
 Life : 100,000 Cycles Min.
 Packing : 4,000pcs/reel.



P.C.B. LAYOUT



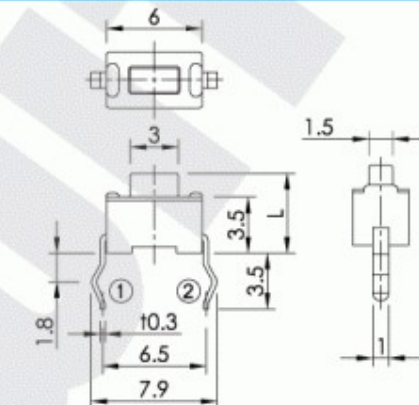
CIRCUIT DIAGRAM



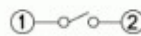
IT-1101XXX

EMBOSSING CASE		TERMINAL(H)		STEM(L)	
□	W/	E	8.0	□	4.3
N	W/O	S	10	A	5.0
		S9	9.0		

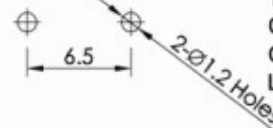
Rating : 50mA 12V DC.
 Travel : 0.25±0.1mm.
 Contact resistance : 100mΩ Max.
 Operating force : 130, 160, 250±50g.
 Life : 130, 160g : 50,000 Cycles Min.
 250g : 30,000 Cycles Min.
 Packing : 1,500pcs/reel.



CIRCUIT DIAGRAM

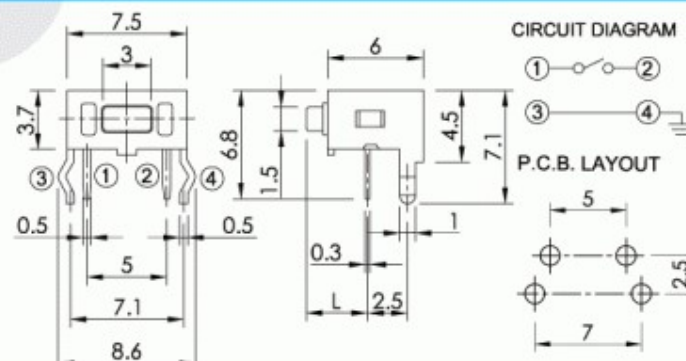


P.C.B. LAYOUT

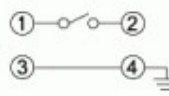


MODEL NO.	STEM (L)
0343	4.3
0350	5.0

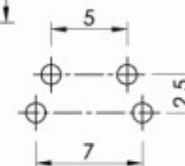
Rating : 50mA 12V DC.
 Travel : 0.25±0.1mm.
 Contact resistance : 100mΩ Max.
 Operating force : 130, 180, 250±50g.
 Life : 130g, 180g : 50,000 Cycles Min.
 250g : 30,000 Cycles Min.



CIRCUIT DIAGRAM



P.C.B. LAYOUT



MODEL NO.	STEM (L)
IT-1101V	3.15
IT-1101VA	3.85

Rating : 50mA 12V DC.
 Travel : 0.25±0.1mm.
 Contact resistance : 100mΩ Max.
 Operating force : 130, 180±30g,
 250±50g.
 Life : 130g, 180g : 50,000 Cycles Min.
 250g : 30,000 Cycles Min.