

Data sheet

Commercial Art.No.: 46.051.4554.1

Connector RST16i5/4S B1 ZT6 SW

RST16i5/4 connector, 4 pole, female, screw connection, application 250/400V with PE, 16A, for cable diameters 7.1-13mm, coding color black, color of housing black



Commercial Art.No.	46.051.4554.1
EAN	4049088290046
Order Unit	1

Certificates / Approvals



LR RINA



Technical data

General

Rated current	16 A
Rated voltage	250 V / 400 V
Rated impulse voltage	4 kV
strain relief	yes
Pollution degree	3
Lockable	self-locking (unlocking by hand)
Color of coding/ contact carrier	black
Marking of poles	1, 2, 3, PE
Color of housing inclusive strain relief	black

Connection Data

Cable diameter max.	13 mm
Cable diameter min.	7.1 mm
Connection cross section solid mm ² max.	2.5 mm ²
Connection cross section solid mm ² min.	0.25 mm ²
Connection cross section fine stranded mm ² max.	2.5 mm ²
Connection cross section fine stranded mm ² min.	0.25 mm ²
Terminations per pole	1
sheath strip length	25 mm
Wire strip length	8 mm

Model

Model	female
Connection type	screw connection
Degree of protection (IP)	IP66/68 (3m;2h) /IP69

Material

Housing material	Polyamide
halogen free	yes
Contact material	CuZn
Fire load	0.176 kWh
Insulation components continuous temperature	100 °C
Surface finish	Silver-plated

Dimensions

Length	81 mm
Width	24.9 mm
Height	24.9 mm

Classification

ECLASS 11	
ECLASS 8.1	27440605
ETIM 7.0	EC002560
ETIM 6.0	EC002560
ETIM 5.0	EC002560
ETIM 4.0	EC002560

Note

Note	RST® terminals with screw clamping allow the connection of conductors without special preparation (without ferrules) according to EN 60999-1.
------	---

Product compliance

ROHS conformity status	Compliant/Exempted
ROHS exceptions	III-6(c)
REACH-SVHC conformity status	Duty-To-Declare
REACH-SVHC substances	Lead
REACH-SVHC CAS numbers	7439-92-1

Fits with

Commercial Art.No.:	Article-type description:	Description:
46.052.4554.1	Connector RST16I5/4S S1 ZT6 SW	RST16i5/4 connector, 4 pole, male, screw connection, application 250/400V with PE, 16A, for cable diameters 7.1-13mm, coding color black, color of housing black
46.052.5054.1	Device connector RST16I5/4S S1 M03 SW	RST16i5/4 device connector M20,2, 4 pole, male, screw connection, application 250/400V with PE, 16A, coding color black
46.050.0154.1	Distributor RST16I4B 3P1 F G V SW	RST16i5/4 compact distribution unit, 4 pole, application 250/400V with PE, 16 A, 1 input and 3 outputs, fastening option, coding color black, color of housing black
46.052.M054.1	Device connector RST16I5/4 S D03 MSW	RST16i5/4 modular device connector M20, 4 pole, male, spring clamp connection, with automatic wiring option, application 250/400V with PE, 16A, coding color black
46.052.M0L1.1	Device connector RST16I5/4 2 D03 MSW	RST16i5/4 modular device connector with longitudinal sealing M20, 4 pole, male, spring clamp connection, with automatic wiring option, application 250/400V with PE, 16A, coding color black

46.050.1254.1	Distributor RST16I4V 2P1 TGVG SW	RST16i5/4 distribution block, 4 pole, application 250/400V with PE, 16 A, 1 input and 2 outputs, fastening option with separate mounting plate, coding color black
---------------	----------------------------------	--

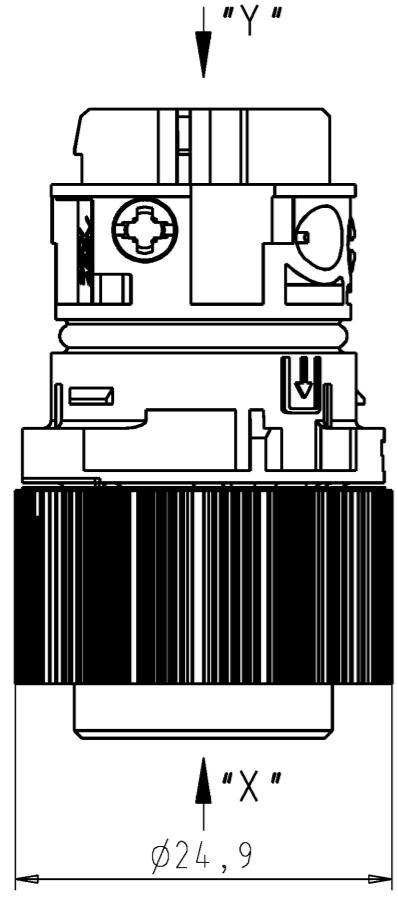
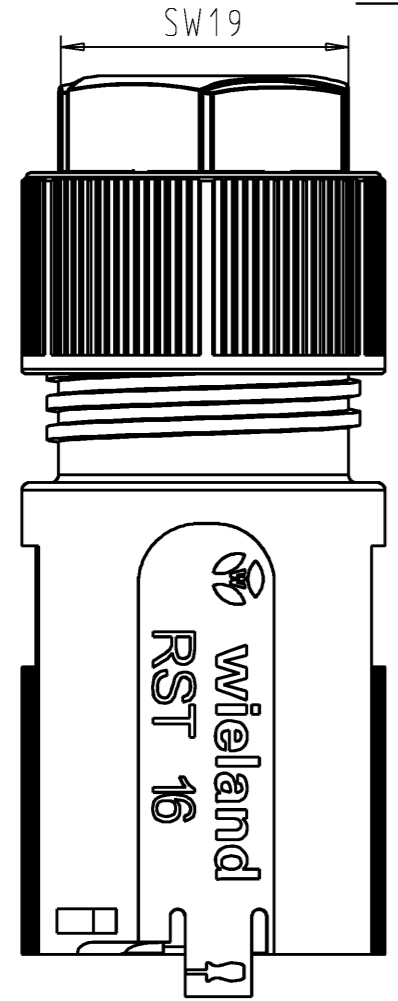
A Weitergabe sowie Vervielfältigung dieses Dokuments, Verwertung und Mitteilung seines Inhalts sind verboten, soweit nicht ausdrücklich gestattet. The reproduction, distribution and utilization of this document as well as the communication of its contents to others without express authorization is prohibited.

B These dimensions will be especially checked at delivery Only inspection dimensions With /E marked dimensions are only valid for internal use

C Diese Maße werden bei Abnahme besonders geprüft Ausschließlich Prüfmaße Mit /E gekennzeichnete Maße sind nur für interne Zwecke gültig

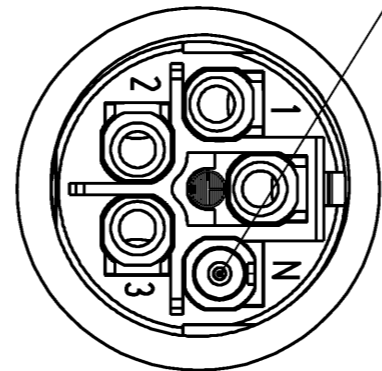
F

2 Auslieferungszustand
delivery condition



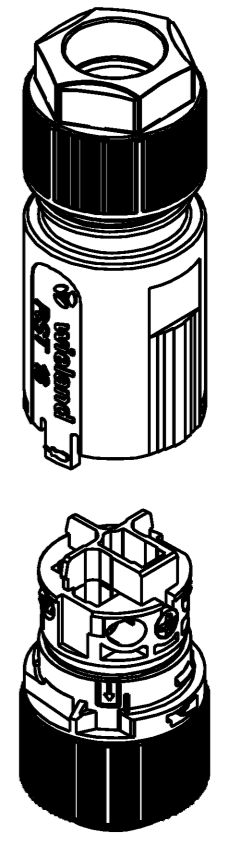
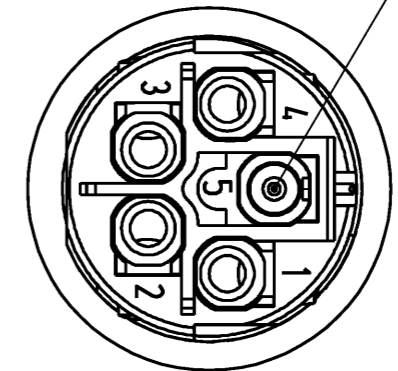
"X"
46.051.4554.0/.1
"Y"

Pol nicht montiert
pol not mounted



"X"
46.051.4551.4
"Y"

Pol nicht montiert
pol not mounted



Weitere Daten siehe KATALOG oder eKatalog
additional data see CATALOG or eCATALOG www.wieland-electric.com
eshop.wieland-electric.com

Teile - Nr. part - no.	Typ type	Farbe colour
46.051.4554.0	RST1615/4S B1 ZT6 GL	lichtgrau/light grey RAL 7035
46.051.4554.1	RST1615/4S B1 ZT6 SW	schwarz/black RAL 9005
46.051.4551.4	RST1615/4S B1 ZT6S L BR	signalbraun/signal brown RAL 8002

Tolerierung Size ISO 14405 © / Tolerance system Size ISO 14405 ©. ja/yes Stoffverbots- und Deklarationsliste nach WN 5020.010 ist einzuhalten. (This ISO-standard describes the envelope principle. According to the envelope principle the deviations of form and parallelism are limited by the size tolerances.) Conformity with Wieland document WN 5020.010 e (list of prohibited / declarable hazardous substances) to be declared!

Freitoleranz nach General tolerance	CAD - Zeichnung, keine manuellen Änderungen CAD - drawing, no manual modifications allowed	1. Verwendung: First Use:	Blatt: 1 von 1 Sheet: 1 of 1
--	---	------------------------------	---------------------------------

/	Werkstoff / Material	Tag/Date	Name	Zeichnung Nr. / Drawing No.	Index	
/		gezeichnet drawn	17.11.2015			Treschan
/		Maßstab / Scale				
/		2:1				
/	Vol.	mm ³ Dfl./Srf.	mm ²	Ersatz für / Replacement for:		
a	03.40.2019 /	www.wieland		Type		
Index	Datum / Blatt Date / Sheet	www.wieland-electric.com		Benennung/Title		
Änderung / Revision		RST16...		BU_MIT_ZUGENTL_FA_4P		
				femal with strain relief 4P RST		