

This document is the property of Amphenol Corporation and is delivered on the express condition that is not to be disclosed, reproduced or used, in whole or in part, for manufacture or sale by anyone other than Amphenol Corporation without its prior consent, and that no right is granted to disclose or to use any information in this document.

The marking on this product doesn't contain environmental hazardous materials per Material Specification 55-00259 for Sony GP compliant or per directive 2011/65/EU for RoHS compliant.

ORIGINAL



REVISIONS				
SYM	ECN No.	DESCRIPTION	DATE	APPROVED
A		RELEASE REVISION	10/29/2010	Arron Lin
B	NE-14144	ADD DATE CODE	08/01/2014	Arron Lin
C	NE-15098	ADD DIM & REMOVE " 3.0" MARK/3.30mm OPTION	08/19/2015	Arron Lin
D	NE-15133	ADD DIM 3.75(ref.) & 10.30(ref.)	11/03/2015	Arron Lin
E	NE-17098	ADD FLANGE LENGTH, CHANGE D/C DETAIL RULE	05/01/2017	Arron Lin

PART NO. GSB3211XXXWEU

PLATING OPTIONS  
3: 30u" GOLD

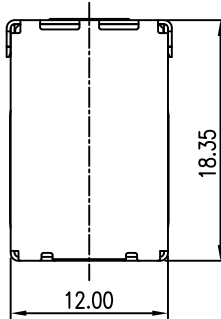
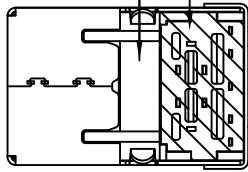
TAIL LENGTH  
1: 2.80 MM

COLOR  
1: BLUE  
3: BLACK

PART NO.	Dim A
GSB3211XX1WEU	2.80 MM

DATE CODE	DESCRIPTION
15 13 6	Saturday 13 Weeks Year

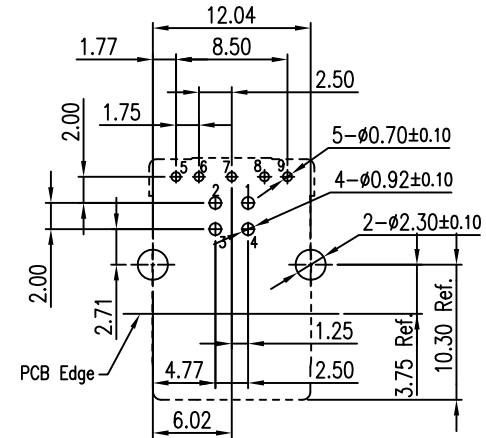
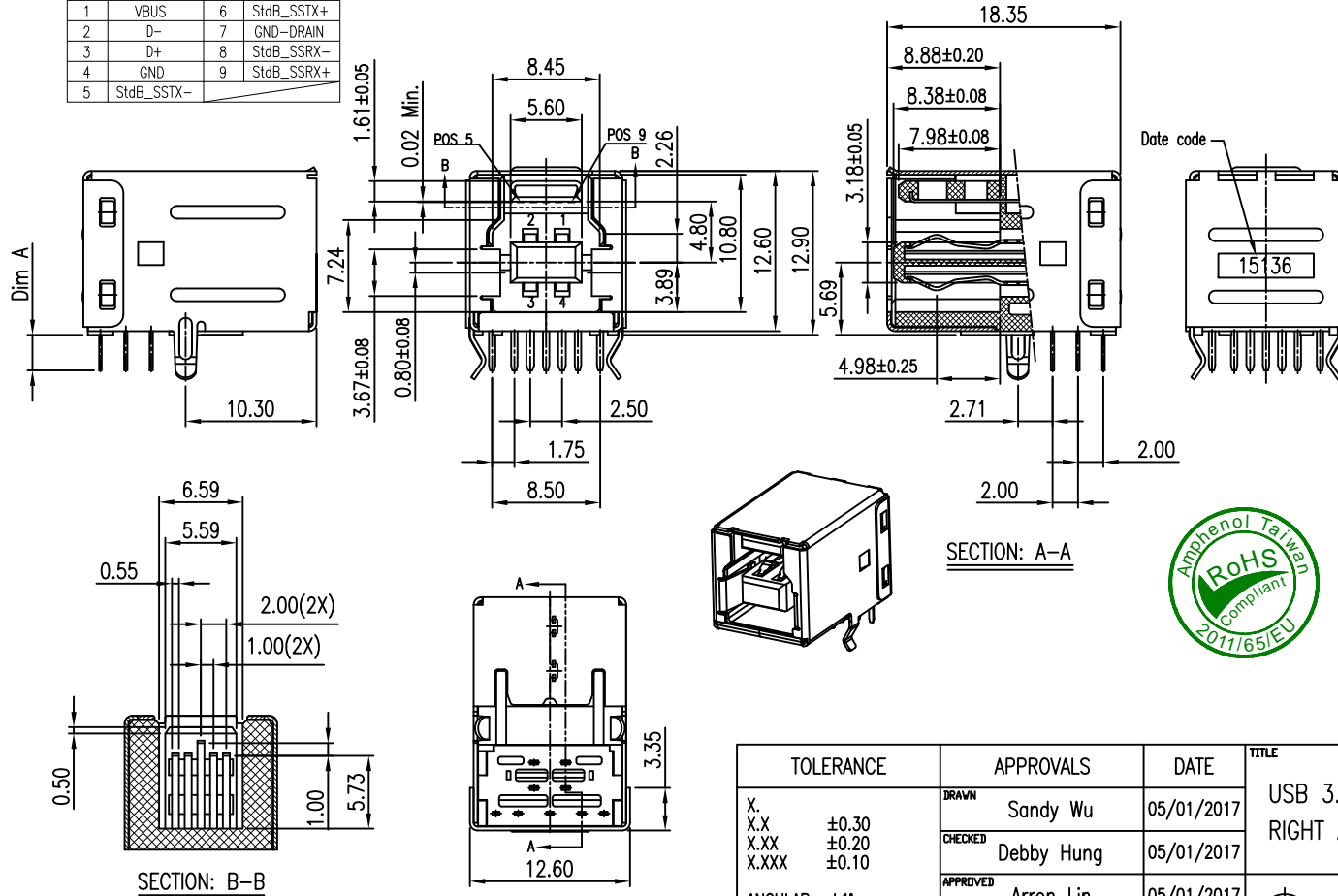
HOUSING: PBT  
BAFFLE: NYLON66



Pin Number	Signal Name	Pin Number	Signal Name
1	VBUS	6	StdB_SSTX+
2	D-	7	GND-DRAIN
3	D+	8	StdB_SSRX-
4	GND	9	StdB_SSRX+
5	StdB_SSTX-		

NOTES:

- MATERIAL:  
HOUSING: HIGH TEMPERATURE THERMAL PLASTIC, PBT, UL94V-0.  
BAFFLE : HIGH TEMPERATURE THERMAL PLASTIC, NYLON66, UL94V-0.  
TERMINAL A: COPPER ALLOY.  
TERMINAL B: COPPER ALLOY.  
SHELL: COPPER ALLOY.
- FINISH:  
TERMINAL A & TERMINAL B:  
CONTACT AREA: SELECTIVE GOLD PLATING;  
SOLDERING AREA: MATTE TIN PLATING 100 μ" THICKNESS MIN.;  
UNDER PLATING: NICKEL PLATING 50 μ" THICKNESS MIN.OVERALL.  
SHELL:  
NICKEL PLATING 50 μ" THICKNESS MIN.OVERALL.
- THIS PRODUCT IS FOR WAVE SOLDERING ONLY.
- THIS PRODUCT DOESN'T CONTAIN ENVIRONMENTAL HAZARDOUS PER DIRECTIVE 2011/65/EU FOR RoHS COMPLIANT.
- PRODUCT SPECIFICATION REFER TO : PS-7425



PCB Layout  
TOP View (T=1.60mm)



TOLERANCE	APPROVALS	DATE	TITLE	UNIT	SIZE	PART No.
X. ±0.30	DRAWN Sandy Wu	05/01/2017	USB 3.0 B TYPE RECEPTACLE RIGHT ANGLE, DIP TYPE	mm	A3	GSB3211XXXWEU
X.X ±0.20	CHECKED Debby Hung	05/01/2017				
X.XXX ±0.10	APPROVED Arron Lin	05/01/2017				
ANGULAR ±1°	DWG TYPE CUST DWG	PROJECT CODE OTHER		SCALE NA	SHEET 1 OF 2	DWG No. GSB3211XXXWEU
UNLESS OTHERWISE SPECIFIED						REV. E

Amphenol®

Amphenol Corporation  
Amphenol Taiwan Corporation

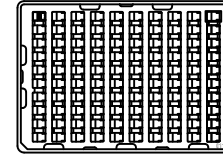
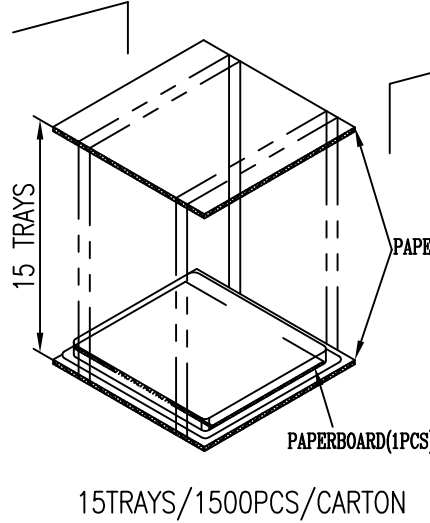
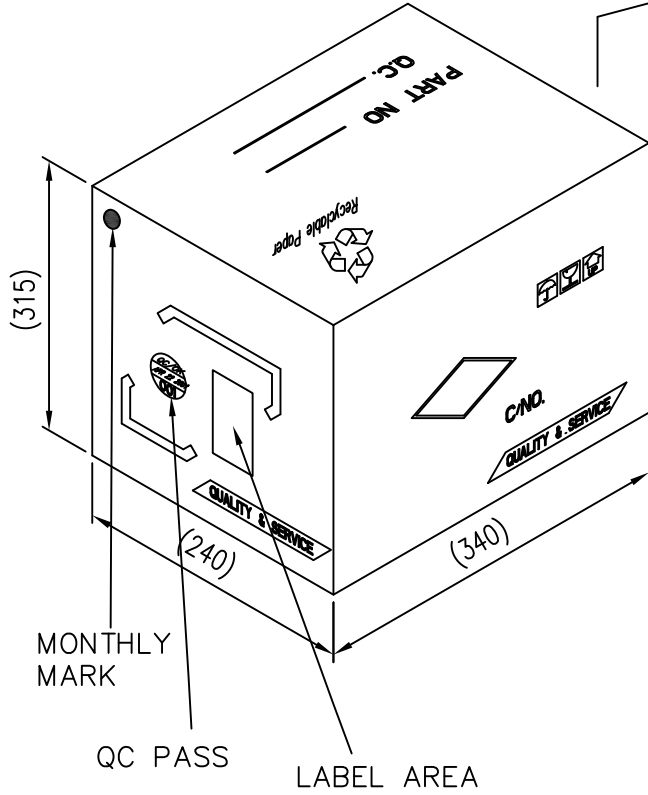
This document is the property of Amphenol Corporation and is delivered on the express condition that is not to be disclosed, reproduced or used, in whole or in part, for manufacture or sale by anyone other than Amphenol Corporation without its prior consent, and that no right is granted to disclose or to use any information in this document.  
 The marking on this product doesn't contain environmental hazardous materials per Material Specification 55-00259 for Sony GP compliant or per directive 2011/65/EU for RoHS compliant.



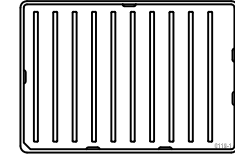
ORIGINAL



REVISIONS				
SYM	ECN No.	DESCRIPTION	DATE	APPROVED
A		RELEASE REVISION	10/29/2010	Arron Lin
B	NE-14144	ADD DATE CODE	08/01/2014	Arron Lin
C	NE-15098	ADD DIM & REMOVE " 3.0" MARK/3.30mm OPTION	08/19/2015	Arron Lin
D	NE-15133	ADD DIM 3.75(ref.) & 10.30(ref.)	11/03/2015	Arron Lin
E	NE-17098	ADD FLANGE LENGTH, CHANGE D/C DETAIL RULE	05/01/2017	Arron Lin



TRAY

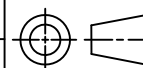


TRAY COVER

100PCS/TRAY

100	15	1500	8.3	7.0	GSB3211XXXWEU
PCS/TRAY	TRAYS/BOX	QUANTITY (PCS)	G/W (Kg)	N/W (Kg)	PART NUMBER

TOLERANCE	APPROVALS	DATE	TITLE
X. ±0.30	DRAWN Sandy Wu	05/01/2017	USB 3.0 B TYPE RECEPTACLE RIGHT ANGLE, DIP TYPE
X.X ±0.20	CHECKED Debby Hung	05/01/2017	
X.XX ±0.10	APPROVED Arron Lin	05/01/2017	
ANGULAR ±1°	DWG TYPE CUST DWG	PROJECT CODE OTHER	
UNLESS OTHERWISE SPECIFIED			



UNIT mm  
SCALE NA

SIZE A3  
SHEET 2 OF 2

PART No. GSB3211XXXWEU

DWG No. GSB3211XXXWEU

REV. E

**Amphenol®**

Amphenol Corporation  
Amphenol Taiwan Corporation