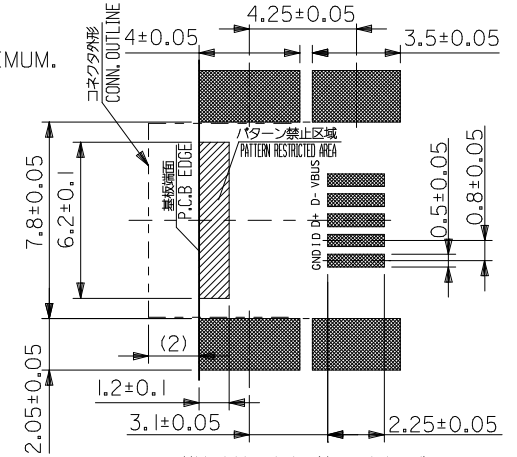


注記 1. 材質  
 NOTES MATERIAL  
 ハウジング: ポリアミド, ガラス充填, 黒色, UL94V-0  
 HOUSING: PA, GLASS FILLED, BLACK, UL94V-0  
 ターミナル: 銅合金 (t=0.2)  
 TERMINAL: COPPER ALLOY(t=0.2)  
 シールド ケース: 銅合金 (t=0.4)  
 SHIELD CASE: COPPER ALLOY(t=0.4)  
 カバー テープ: ポリイミド (t=0.08)  
 COVER TAPE: POLYIMIDE(t=0.08)

2. メッキ仕様  
 PLATING  
 ターミナル  
 TERMINAL  
 接点部: 金メッキ 0.75 MICROMETER MIN.  
 CONTACT AREA: GOLD 0.75 MICROMETER MINIMUM.  
 半田付け部: 錫メッキ 無光沢 1.0 MICROMETER MIN.  
 SOLDER TAIL AREA: MATTE TIN 1.0 MICROMETER MINIMUM.  
 下地部: ニッケルメッキ 4.0 MICROMETER MIN.  
 UNDER PLATING: NICKEL 4.0 MICROMETER MINIMUM.  
 シールド ケース  
 SHIELD CASE  
 : 錫メッキ 半光沢 1.0 MICROMETER MIN.  
 : SEMI-MATTE TIN 1.0 MICROMETER MINIMUM.  
 下地部: ニッケルメッキ 4.0 MICROMETER MIN.  
 UNDER PLATING: NICKEL 4.0 MICROMETER MINIMUM.

3. テール、ネイル平坦度は0.1mm MAX.  
 TAIL, NAIL COPLANARITY 0.1mm MAX.  
 4. 本製品は54819-0571の鉛フリー品である。  
 THIS PRODUCT IS LEAD FREE OF 54819-0571.

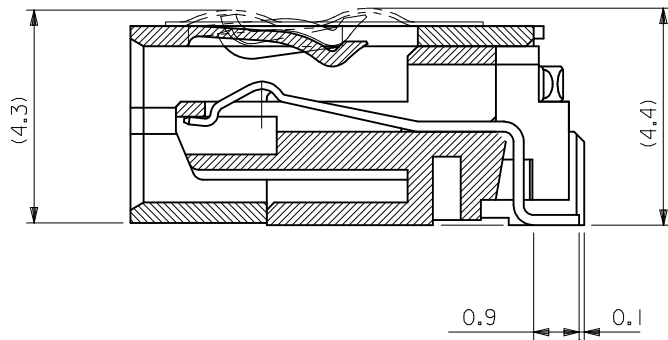


推奨基板寸法 (部品実装側)  
 RECOMMENDED P.C.B. PATTERN LAYOUT (PART MOUNT SIDE)

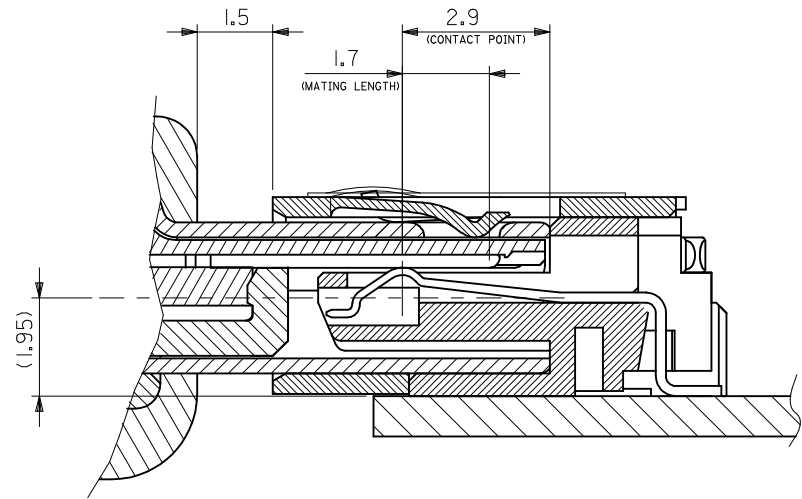
54819-0572	54819-0579
EMBOSSD TAPE	MATERIAL No.
ORDER No.	
MODEL No.54819-**-79	

REVISED EC NO: J2009-1533 DRW: NESATO 2009/06/25 CHKD: MATSUMOTO 2009/06/25 APPR: NUKITA 2009/06/25	GENERAL TOLERANCES (UNLESS SPECIFIED)		DIMENSION STYLE	SCALE	DESIGN UNITS	THIRD ANGLE PROJECTION
			MM ONLY	10:1	METRIC	
	DESCRIPTION	10 UNDER	±0.2	DRAWN BY	DATE	TITLE
		10 OVER 30 UNDER	±0.25	H. KAWABATA	2004/05/21	USB SERIES MINI-B RECEPTACLE ASS'Y FOR SMT -LEAD FREE-
		30 OVER	±0.3	K. TOJO	2004/05/21	
	ANGULAR	±3 °	APPROVED BY	DATE	MOLEX INCORPORATED	
	DRAFT WHERE APPLICABLE MUST REMAIN WITHIN DIMENSIONS		M. SASAO	2004/05/21		
			MATERIAL NO.	DOCUMENT NO.	SHEET NO.	
			SEE TABLE	SD-54819-027	1 OF 2	
			SIZE	THIS DRAWING CONTAINS INFORMATION THAT IS PROPRIETARY TO MOLEX INCORPORATED AND SHOULD NOT BE USED WITHOUT WRITTEN PERMISSION		
			A3			

10 9 8 7 6 5 4 3 2 1



SECTION



MATING

MODEL NO. 54819-\*\*79

<b>REVISED</b> EC NO: J2009-1533 DRW:ESATO 2009/06/25 CHK:D:HMATSUMOTO 2009/06/25 APPR:NUKITA 2009/06/25	GENERAL TOLERANCES (UNLESS SPECIFIED)		DIMENSION STYLE <b>MM ONLY</b>	SCALE <b>10:1</b>	DESIGN UNITS <b>METRIC</b>	THIRD ANGLE PROJECTION
	10 UNDER	± 0.2	DRAWN BY H. KAWABATA	DATE 2004/05/21	TITLE <b>USB SERIES MINI-B RECEPTACLE ASS'Y FOR SMT -LEAD FREE-</b>	
	10 OVER 30 UNDER	± 0.25	CHECKED BY K. TOJO	DATE 2004/05/21	<b>MOLEX INCORPORATED</b> DOCUMENT NO. SD-54819-027	
	30 OVER	± 0.3	APPROVED BY M. SASAO	DATE 2004/05/21		
ANGULAR ± 3 °	DRAFT WHERE APPLICABLE MUST REMAIN WITHIN DIMENSIONS		MATERIAL NO. <b>SEE SHEET 1</b>	THIS DRAWING CONTAINS INFORMATION THAT IS PROPRIETARY TO MOLEX INCORPORATED AND SHOULD NOT BE USED WITHOUT WRITTEN PERMISSION		

10 9 8 7 6 5 4 3 2 1

F

E

D

C

B

A

F

E

D

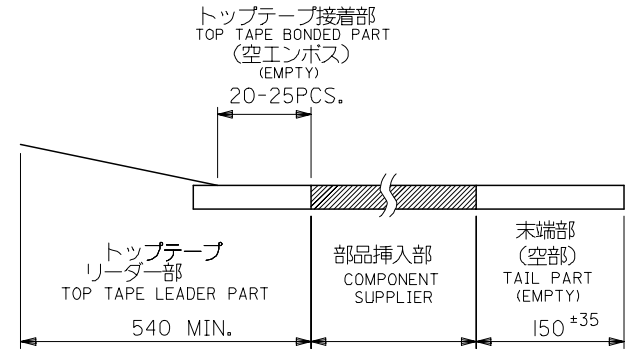
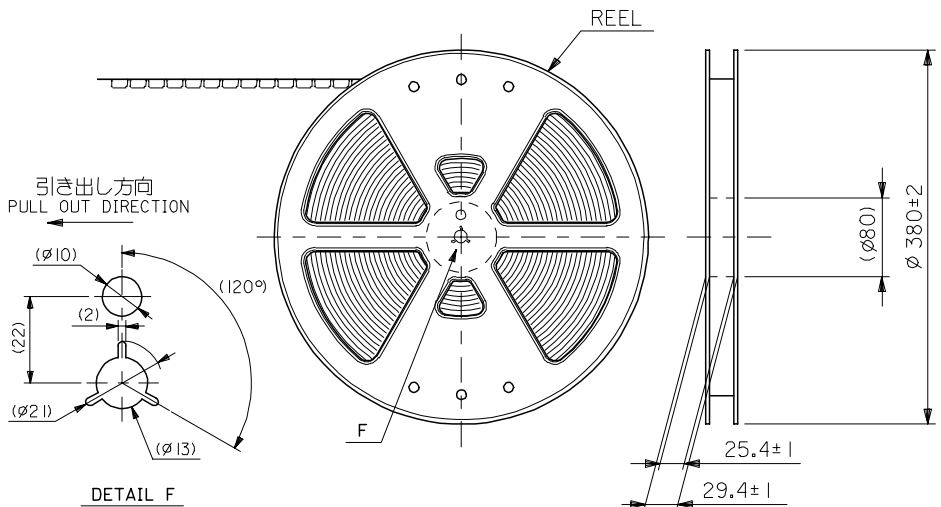
C

B

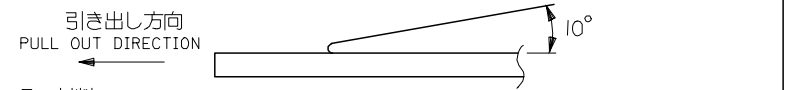
A

NOTES

- 54819-0579の詳細はSD-54819-027参照  
IN THE PACKAGE PART NO.54819-0579 DETAILED, SEE SD-54819-027
- 梱包数量: 800 個/リール  
NUMBER OF CONNECTORS: 800 PCS/REEL
- リードテープ長さ  
LEAD TAPE LENGTH



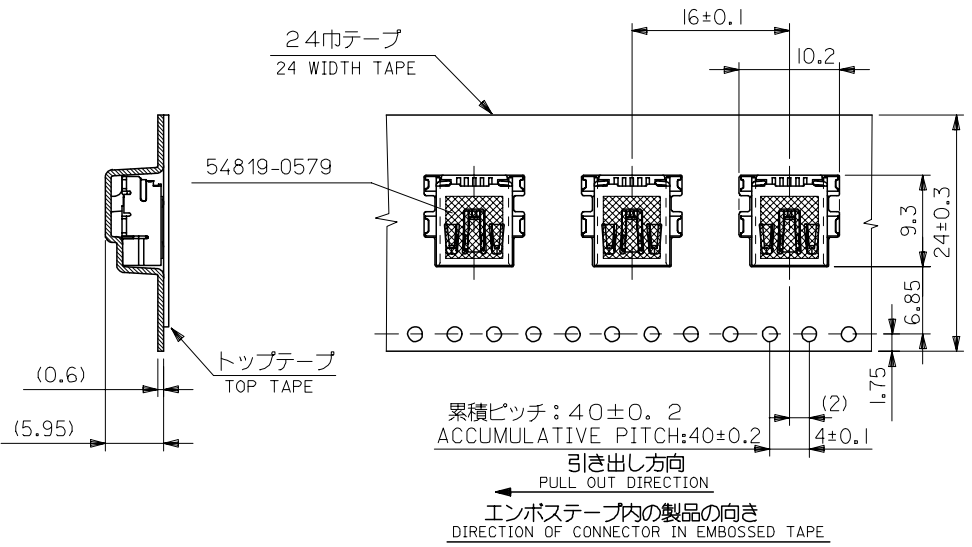
- トップテープの剥離強度: 0.1~ 1.3 N { 10~130gf }  
(剥離方向は下図参照) キャリアテープ幅: 24mm  
CARRIER TAPE WIDTH  
PEEL-OFF FORCE OF TOP TAPE: 0.1~1.3 N { 10~130gf }  
(PEELING DIRECTION AS SHOWN IN FOLLOWING FIG.)  
尚、本規格値は、出荷時に適用。  
THIS REQUIREMENT SHOULD BE APPLIED AT SHIPMENT  
(但し、輸送時に剥離が発生しない事。)  
(PEEL OFF SHOULD NOT BE ALLOWED, DURING TRANSPORTATION)



- 材料  
MATERIAL  
キャリアテープ: ポリプロピレン  
CARRIER TAPE: POLYPROPYLENE  
トップテープ: ポリエステル, ポリエチレン  
TOP TAPE: POLYESTER, POLYETHLENE  
リール: ポリスチレン  
REEL: POLYSTYRENE

- 本製品は 54819-0578 の鉛フリー品である。  
THIS PRODUCT IS LEAD FREE OF 54819-0578.

54819-0572  
MATERIAL NO.



MODEL NO. 54819-\*\*72  
SCALE 2:1  
DESIGN UNITS METRIC  
THIRD ANGLE PROJECTION

REVISED EC NO: J2006-0378 DRWN: YANAGI MOTO 2005/08/03 CHKD: TANAKA 2005/08/03 APPR: NUKITA 2005/08/17	GENERAL TOLERANCES (UNLESS SPECIFIED)		DIMENSION STYLE MM ONLY		SCALE 2:1		DESIGN UNITS METRIC		THIRD ANGLE PROJECTION	
	10 UNDER	±0.2	DRAWN BY H. KAWABATA		DATE 2004/05/21		TITLE USB SERIES MINI-B REC.HS'G EMBOSSED ASS'Y -LEAD FREE-			
	10 OVER 30 UNDER	±0.25	CHECKED BY K. TOJO		DATE 2004/05/21		MOLEX INCORPORATED			
	30 OVER	±0.3	APPROVED BY M. SASAO		DATE 2004/05/21					
1	DESCRIPTION	ANGULAR ±3 °		MATERIAL NO. SEE CHART		DOCUMENT NO. SD-54819-028		SHEET NO. 1 OF 1		
DRAFT WHERE APPLICABLE MUST REMAIN WITHIN DIMENSIONS		THIS DRAWING CONTAINS INFORMATION THAT IS PROPRIETARY TO MOLEX INCORPORATED AND SHOULD NOT BE USED WITHOUT WRITTEN PERMISSION								