

Data sheet

Commercial Art.No.: 02.123.7102.0

Female contact 0,75-1 QMM AG

Female contact, turned Ø 2,5 mm, 0,75-1 mm², AWG 18, Ag



| | |
|--------------------|---------------|
| Commercial Art.No. | 02.123.7102.0 |
| EAN | 4015573053342 |
| Order Unit | 200 |

Technical data

General

| | |
|--|----------------------|
| Wire strip length | 7 mm |
| Min. conductor cross section flexible wire | 0.75 mm ² |
| Max. conductor cross section flexible wire | 1 mm ² |
| Min. UL/CSA wire diameter flexible wire | 18 AWG |
| Max. UL/CSA wire diameter flexible wire | 18 AWG |
| Connection type | Crimp |
| Material | Brass |
| Massive contact | yes |
| Contact pin diameter | 2.5 mm |
| Inflammability class of insulation material acc. with UL94 | Other |
| Contact resistance | ≤ 1.5 mOhm |

Classification

| | |
|------------|----------|
| ECLASS 11 | |
| ECLASS 8.1 | 27440204 |
| ETIM 7.0 | EC000796 |
| ETIM 6.0 | EC000796 |
| ETIM 5.0 | EC000796 |
| ETIM 4.0 | EC000796 |
| ETIM 3.0 | EC000796 |

Product compliance

| | |
|------------------------------|--------------------|
| ROHS conformity status | Compliant/Exempted |
| ROHS exceptions | III-6(c) |
| REACH-SVHC conformity status | Duty-To-Declare |
| REACH-SVHC substances | Lead |
| REACH-SVHC CAS numbers | 7439-92-1 |

Accessories

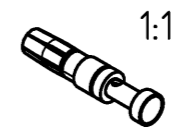
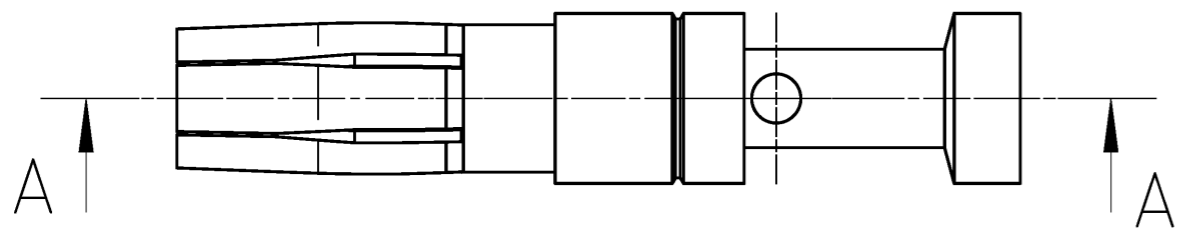
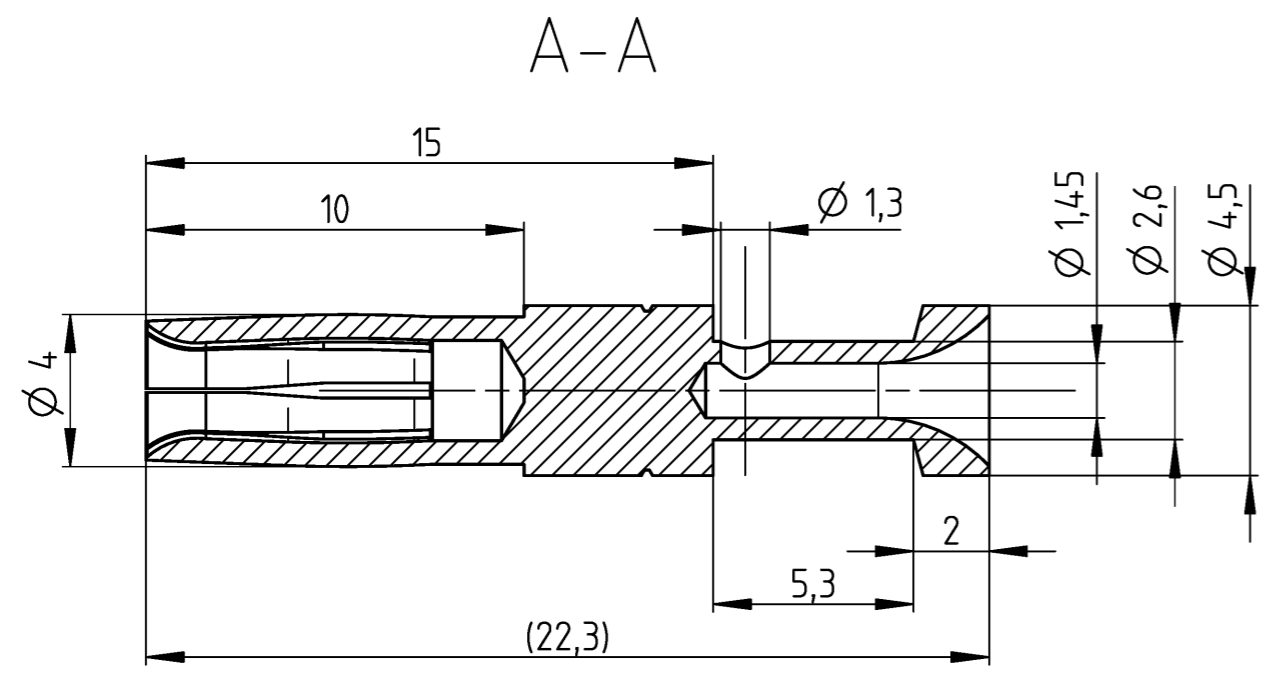
| Commercial Art.No.: | Article-type description: | Description: |
|---------------------|-------------------------------|--|
| 05.502.2100.0 | Crimping die B | Crimp dies for revos crimping tool, usable for crimp-contacts with a cross section of 0.14-1.0 mm ² , 1.5 mm ² , 2.5 mm ² and 4.0 mm ² |
| 95.101.0800.0 | Basic crimping tool . | Crimping tool kit |
| 05.502.3500.0 | Extraction tool 500/690V-SER. | Extraction tool for turned contacts with a diameter of 2.5 mm |
| 05.502.3300.0 | Contact positioner 3 | Contact positioner 3 |

A
Weitergabe sowie Vervielfältigung dieses Dokuments, Verwertung und Mitteilung seines Inhalts sind verboten, soweit nicht ausdrücklich gestattet.
The reproduction, distribution and utilization of this document as well as the communication of its contents to others without express authorization is prohibited.

B
These dimensions will be especially checked at delivery
Only inspection dimensions
With /E marked dimensions are only valid for internal use

C
Diese Maße werden bei Abnahme besonders geprüft
Ausschließlich Prüfmaße
Mit /E gekennzeichnete Maße sind nur für interne Zwecke gültig

F



| | |
|--------------------------|---------------------------|
| Teilenummer /part number | Oberfläche /surface |
| 02.123.7101.0 | vergoldet /gold-plated |
| 02.123.7101.7 | vergoldet /gold-plated |
| 02.123.7102.0 | versilbert /silver-plated |
| 02.123.7121.0 | verzinkt /tin-plated |

Weitere Daten siehe KATALOG oder eKatalog
additional data see CATALOG or eCATALOG

www.wieland-electric.com
eshop.wieland-electric.com

Tolerierung Size ISO 14405 © / Tolerance system Size ISO 14405 ©.
(This ISO-standard describes the envelope principle. According to the envelope principle the deviations of form and parallelism are limited by the size tolerances).

ja/yes Stoffverbots- und Deklarationsliste nach WN 5020.010 ist einzuhalten.
Conformity with Wieland document WN 5020.010 e (list of prohibited / declarable hazardous substances) to be declared!

Freitoleranz nach General tolerance CAD - Zeichnung, keine manuellen Änderungen CAD - drawing, no manual modifications allowed 1. Verwendung: First Use: Blatt: 1 von 1 Sheet: 1 of 1

| | | | | |
|---|--|--------------------|---|-------------------|
| Werkstoff / Material Messing /brass | Tag/Date 21.02.2020 | Name Schmitt J. | Zeichnung Nr. / Drawing No. T 02.123.7101.0 13K | Index a |
| Maßstab / Scale 5:1 | Elektronische Freigabe Electronic Release | | | |
| Vol. mm ³ / fl./Srf. mm ² | Ersatz für / Replacement for: | | Maße in mm / Dimensions are in mm | |
| a 31.05.2021 / Index Datum / Blatt Date / Sheet | wieland | | Type revos Basic | |
| Änderung / Revision | | | Benennung/Title Buchsenkontakt mit Crimpanschluss - 1 mm ² /female connector with crimp connection - 1 mm ² | |