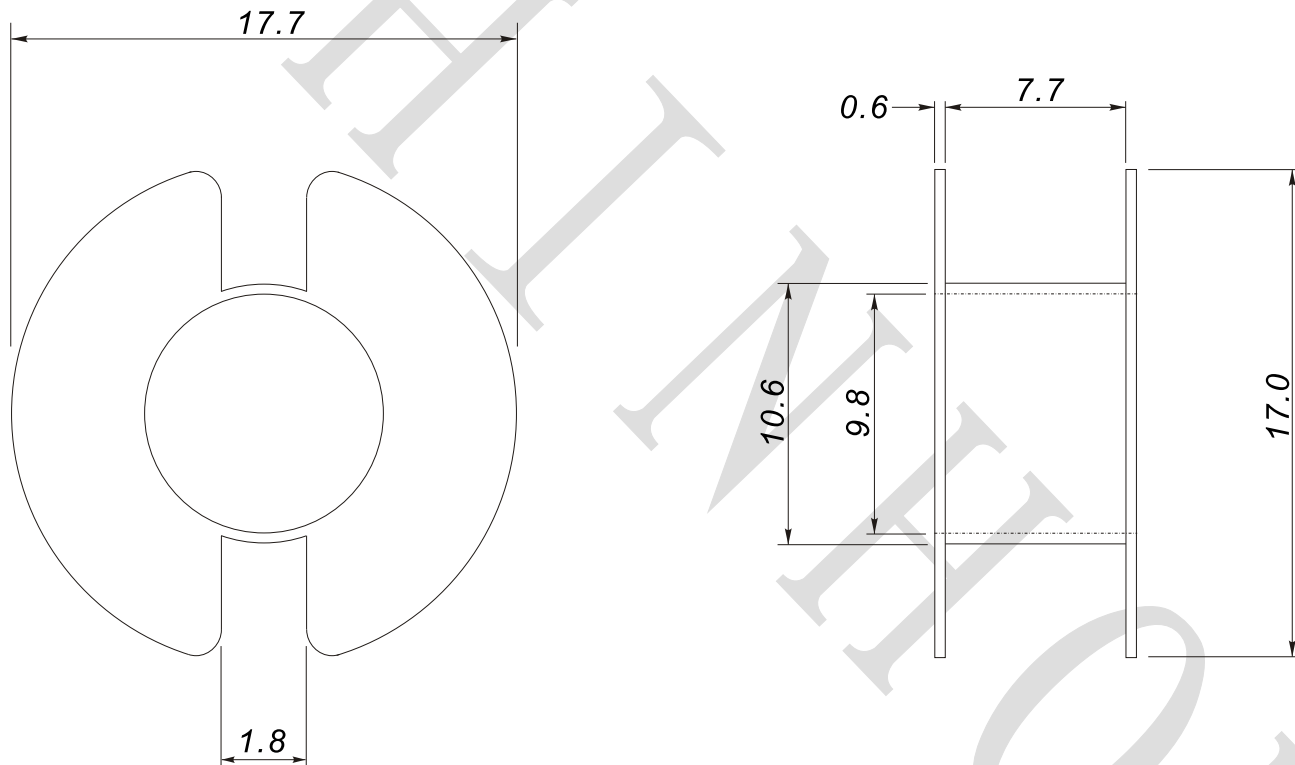


1. PHYSICAL CHARACTERISTICS (mm)



NAME:		G2213 Base	
CUSTOMER P/N:		DATE:	2018-02-28
SHINHOM P/N:		G2213	REV: A0
DRAWN BY		CHECKED BY	APPROVE BY
PAGE			



**SHINHOM**

SHAANXISHINHOM ENTERPRISE CO LTD

TEL:+86-029-87851838  
 FAX:+86-029-87851840  
 ZIP:710054  
 Http://www.shinhom.com  
 E-mail:shinhom@globalsources.com  
 sales@shinhom.com.cn  
 NO. 8, Yanta Northern Road, Xi'an ShaanxiPro.China